



T&S BRASS AND BRONZE WORKS, INC.
 2 Saddleback Cove / P.O. Box 1088
 Travelers Rest, SC 29690

Model No.
BL-4700-03

Item No.

Travelers Rest, SC: 800-476-4103 • Simi Valley, CA: 800-423-0150 • Fax: 864-834-3518 • www.tsbrass.com

This Space for Architect/Engineer Approval

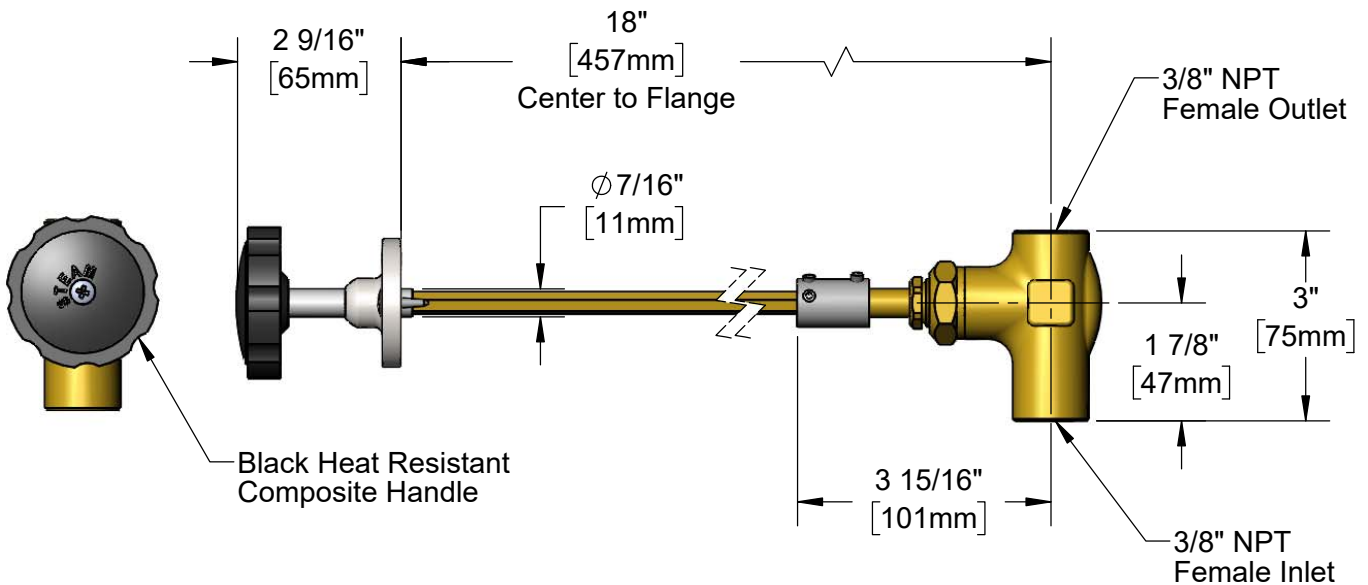
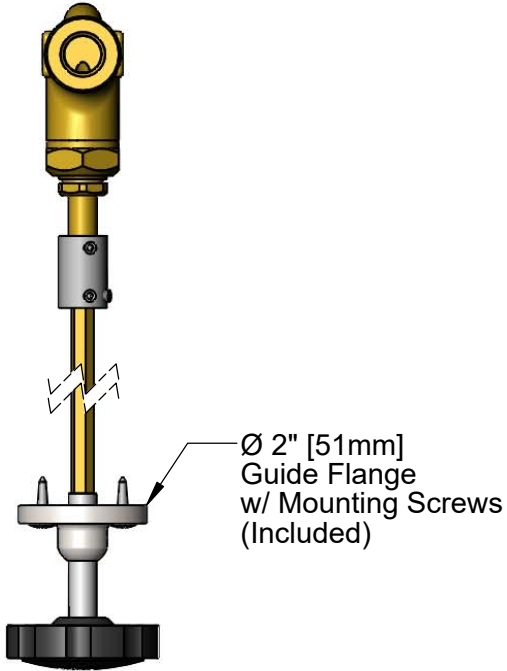
Job Name _____ Date _____

Model Specified _____ Quantity _____

Customer/Wholesaler _____

Contractor _____

Architect/Engineer _____



Product Specifications:
 Remote Control Straight Valve for Steam w/ 18" Centerline to Flange,
 Heat Resistant Handle, Guide Flange w/ Mounting Screws &
 3/8" NPT Inlet & Outlet

Product Compliance:
 N/A



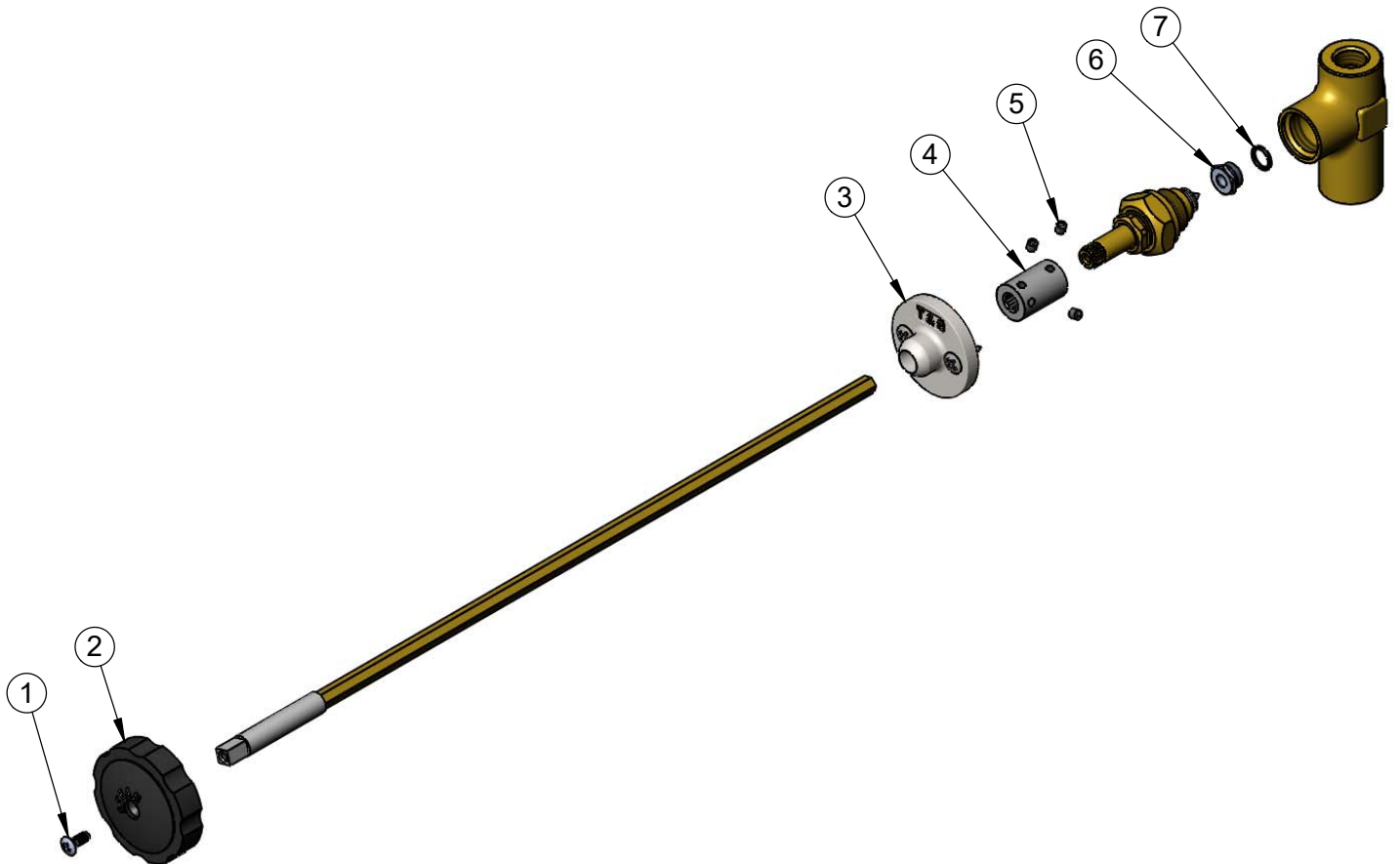
T&S BRASS AND BRONZE WORKS, INC.
 2 Saddleback Cove / P.O. Box 1088
 Travelers Rest, SC 29690

Model No.
BL-4700-03

Item No.

Travelers Rest, SC: 800-476-4103 • Simi Valley, CA: 800-423-0150 • Fax: 864-834-3518 • www.tsbrass.com

ITEM NO.	SALES NO.	DESCRIPTION
1	000922-45	Lever Handle Screw
2	001149-20	Handle, Heat Resistant, Black
3	BL-4740-01	Guide Flange w/ Mounting Screws, Wood Furniture
4	000642-20	Coupling Remote
5	001584-45	Set Screw, 10-32 UN
6	000529-20	Seat
7	001065-45	O-Ring



Product Specifications:

Remote Control Straight Valve for Steam w/ 18" Centerline to Flange,
 Heat Resistant Handle, Guide Flange w/ Mounting Screws &
 3/8" NPT Inlet & Outlet

Product Compliance:

N/A