



T&S BRASS AND BRONZE WORKS, INC.
 2 Saddleback Cove / P.O. Box 1088
 Travelers Rest, SC 29690

Model No.
BL-4700-02MF

Item No.

Travelers Rest, SC: 800-476-4103 • Simi Valley, CA: 800-423-0150 • Fax: 864-834-3518 • www.tsbrass.com



ADA Compliant

This Space for Architect/Engineer Approval

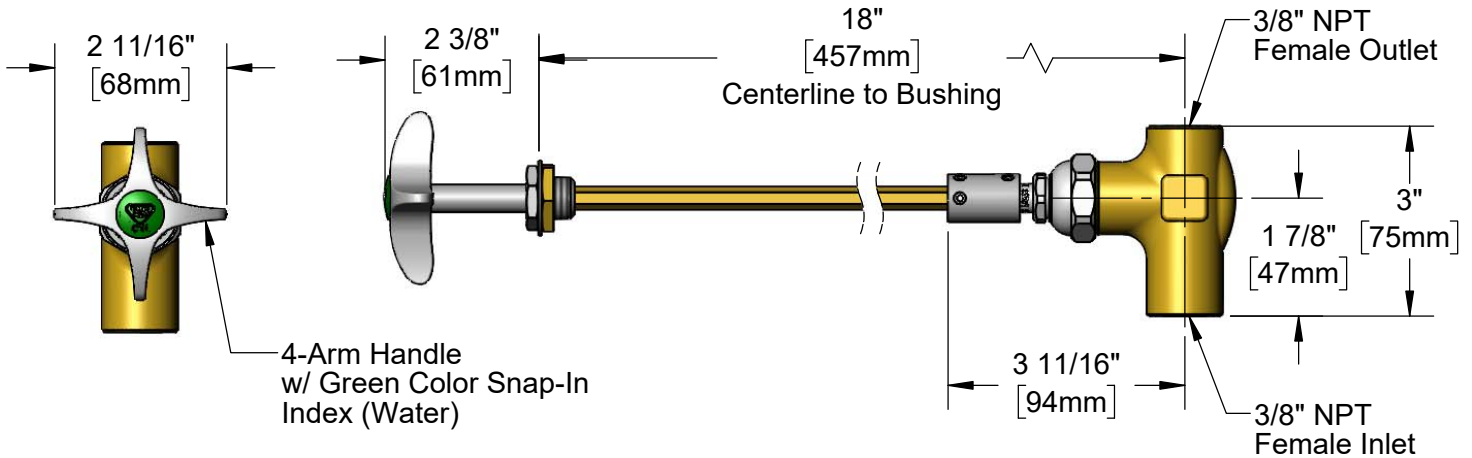
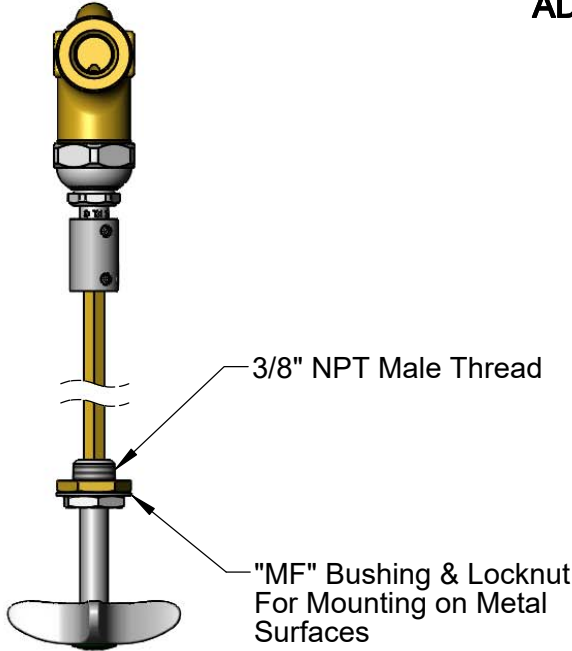
Job Name _____ Date _____

Model Specified _____ Quantity _____

Customer/Wholesaler _____

Contractor _____

Architect/Engineer _____



Product Specifications:
 Remote Control Straight Valve for Water w/ 18" Centerline to Bushing,
 4-Arm Handle, "MF" Bushing For Mounting on Metal Surfaces &
 3/8" NPT Inlet & Outlet

Product Compliance:
 ASME A112.18.1 / CSA B125.1
 NSF 61 - Section 9
 NSF 372 (Low Lead Content)
 ANSI A117.1 (ADA)



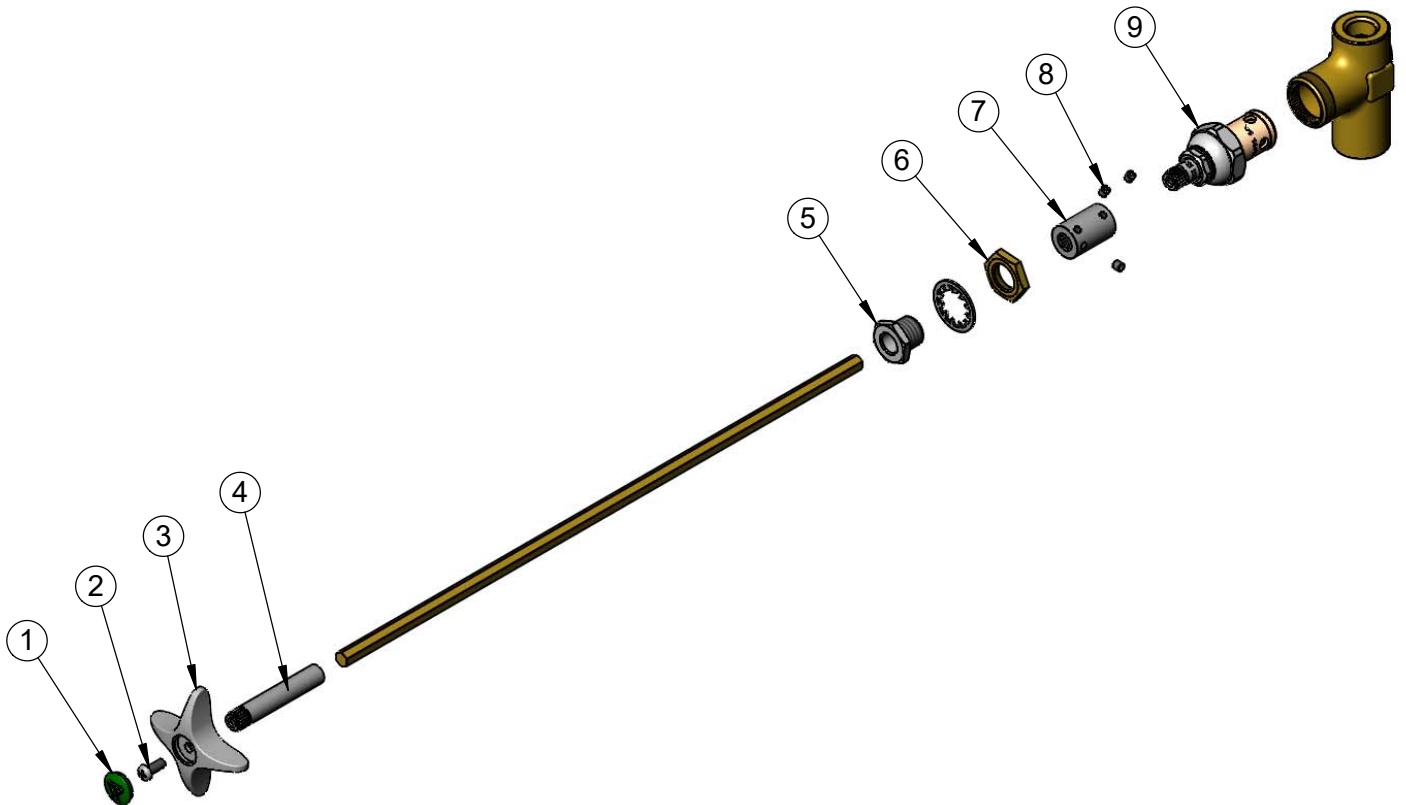
T&S BRASS AND BRONZE WORKS, INC.
 2 Saddleback Cove / P.O. Box 1088
 Travelers Rest, SC 29690

Model No.
BL-4700-02MF

Item No.

Travelers Rest, SC: 800-476-4103 • Simi Valley, CA: 800-423-0150 • Fax: 864-834-3518 • www.tsbrass.com

ITEM NO.	SALES NO.	DESCRIPTION
1	001191-45NS	Green "CW" Lab Button Index
2	000925-45	Lab Handle Screw
3	002521-45NS	4-Arm Handle (New Style)
4	000784-40	Broached Sleeve
5	006676-25	Bushing
6	000969-45	Nut, Lock, 3/8" NPSL, Brass
7	000642-20	Coupling Remote
8	001584-45	Set Screw, B-0119 Rod End
9	005960-40	Spindle Asm, Eterna "Hot"



Product Specifications:
 Remote Control Straight Valve for Water w/ 18" Centerline to Bushing,
 4-Arm Handle, "MF" Bushing For Mounting on Metal Surfaces &
 3/8" NPT Inlet & Outlet

Product Compliance:
 ASME A112.18.1 / CSA B125.1
 NSF 61 - Section 9
 NSF 372 (Low Lead Content)
 ANSI A117.1 (ADA)