



**T&S BRASS AND BRONZE WORKS, INC.**  
 2 Saddleback Cove / P.O. Box 1088  
 Travelers Rest, SC 29690

Model No.  
**BL-4700-02-24RR**

Item No.

Travelers Rest, SC: 800-476-4103 • Simi Valley, CA: 800-423-0150 • Fax: 864-834-3518 • www.tsbrass.com



**ADA Compliant**

This Space for Architect/Engineer Approval

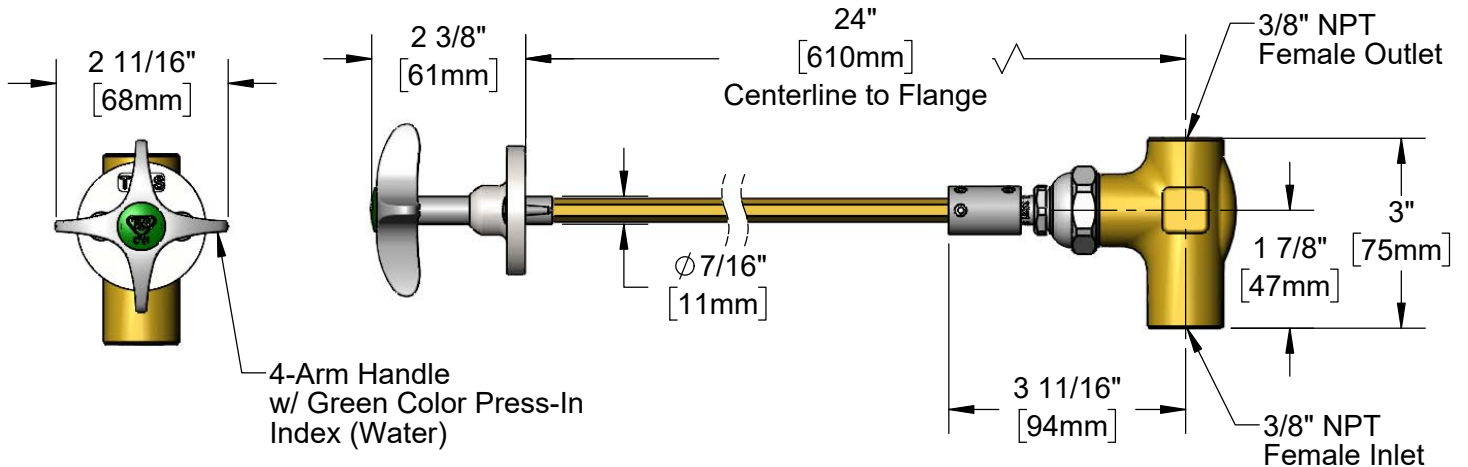
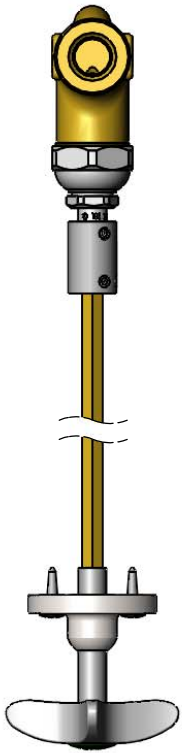
Job Name \_\_\_\_\_ Date \_\_\_\_\_

Model Specified \_\_\_\_\_ Quantity \_\_\_\_\_

Customer/Wholesaler \_\_\_\_\_

Contractor \_\_\_\_\_

Architect/Engineer \_\_\_\_\_



Product Specifications:  
 Remote Control Straight Valve for Water w/ 24" Centerline to Flange,  
 4-Arm Handle, Guide Flange w/ Mounting Screws & 3/8" NPT Inlet & Outlet

Product Compliance:  
 ASME A112.18.1 / CSA B125.1  
 NSF 61 - Section 9  
 NSF 372 (Low Lead Content)  
 ANSI A117.1 (ADA)



# T&S BRASS AND BRONZE WORKS, INC.

2 Saddleback Cove / P.O. Box 1088  
Travelers Rest, SC 29690

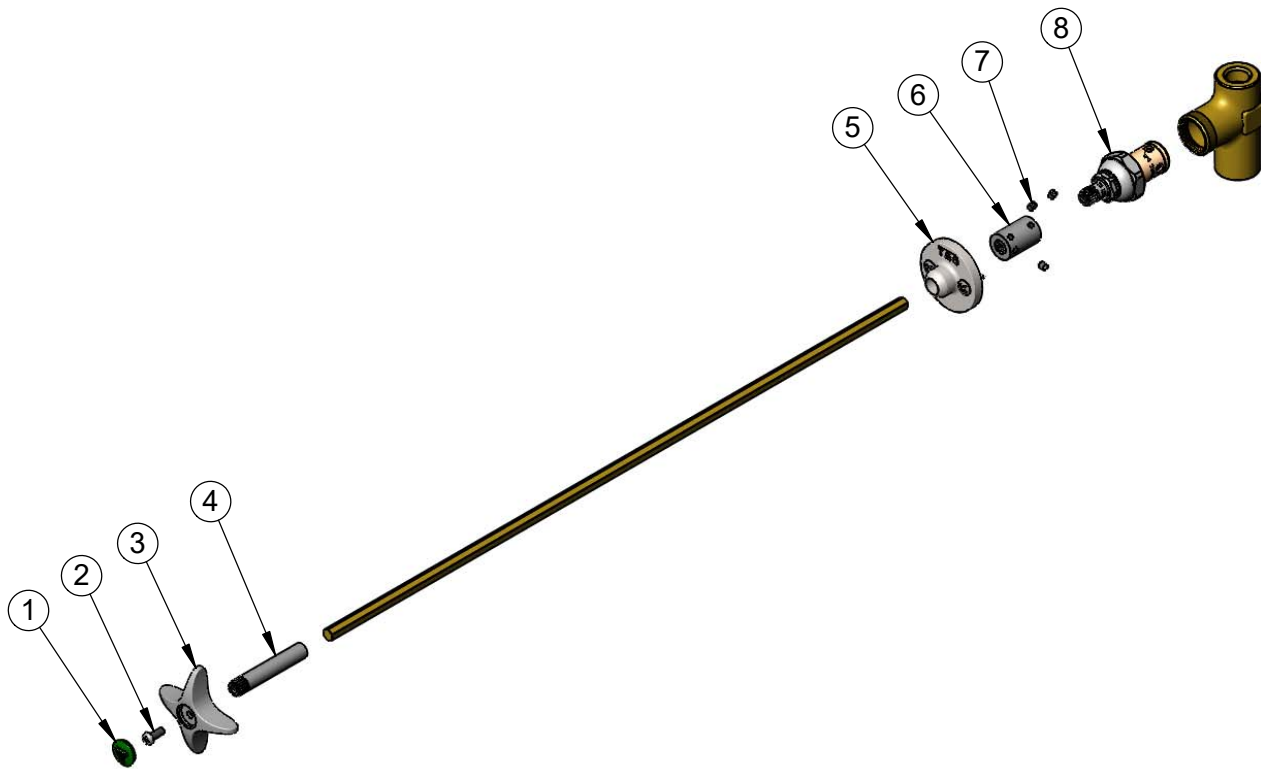
Model No.

**BL-4700-02-24RR**

Item No.

Travelers Rest, SC: 800-476-4103 • Simi Valley, CA: 800-423-0150 • Fax: 864-834-3518 • www.tsbrass.com

| ITEM NO. | SALES NO.   | DESCRIPTION                 |
|----------|-------------|-----------------------------|
| 1        | 001191-45NS | Green "CW" Lab Button Index |
| 2        | 000925-45   | Lab Handle Screw            |
| 3        | 002521-45NS | 4-Arm Handle (New Style)    |
| 4        | 000784-40   | Broached Sleeve             |
| 5        | BL-4740-01  | BL-4710 Series Flange       |
| 6        | 000642-20   | Coupling Remote             |
| 7        | 001584-45   | Set Screw, B-0119 Rod End   |
| 8        | 005960-40   | Spindle Asm, Eterna "Hot"   |



#### Product Specifications:

Remote Control Straight Valve for Water w/ 24" Centerline to Flange,  
4-Arm Handle, Guide Flange w/ Mounting Screws & 3/8" NPT Inlet & Outlet

#### Product Compliance:

ASME A112.18.1 / CSA B125.1  
NSF 61 - Section 9  
NSF 372 (Low Lead Content)  
ANSI A117.1 (ADA)