



**T&S BRASS AND BRONZE WORKS, INC.**  
 2 Saddleback Cove / P.O. Box 1088  
 Travelers Rest, SC 29690

Model No.  
**BL-4350-01**

Item No.

Travelers Rest, SC: 800-476-4103 • Simi Valley, CA: 800-423-0150 • Fax: 864-834-3518 • www.tsbrass.com

This Space for Architect/Engineer Approval

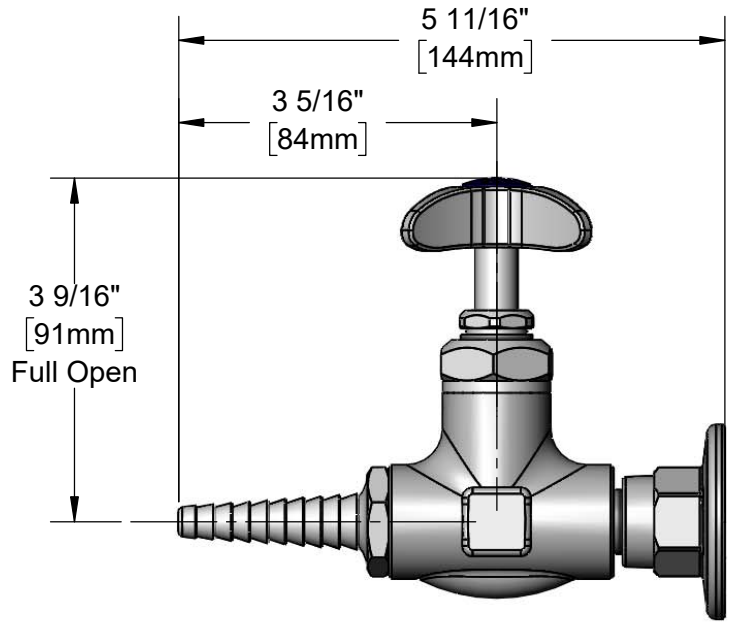
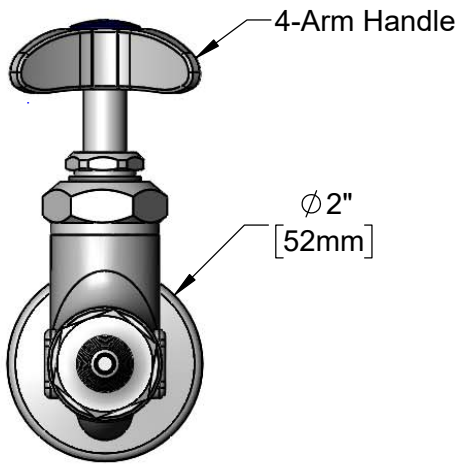
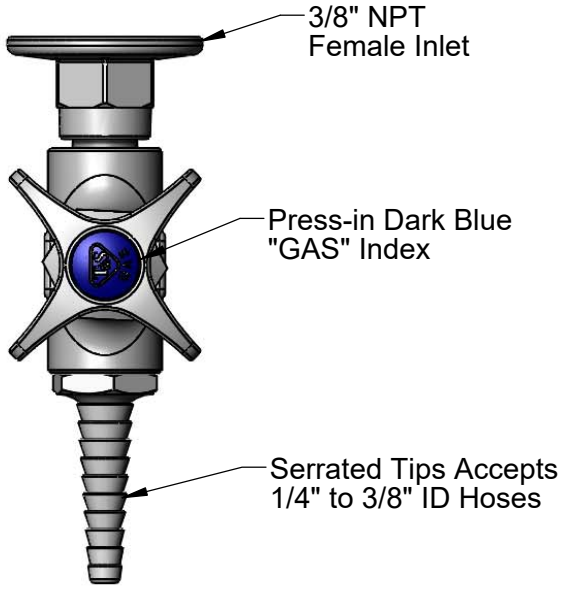
Job Name \_\_\_\_\_ Date \_\_\_\_\_

Model Specified \_\_\_\_\_ Quantity \_\_\_\_\_

Customer/Wholesaler \_\_\_\_\_

Contractor \_\_\_\_\_

Architect/Engineer \_\_\_\_\_



- Notes:
1. Natural Gas Pressure: 0.5 PSIG Max.
  2. Air Pressure: 125 PSIG Max.
  3. Vacuum: 30 Inches of Mercury Max.
  4. Temperature Range: 32°F - 125°F

  
**209L-VAC-NS**  
 Index Included

  
**209L-AIR-NS**  
 Index Included

Product Specifications:  
 Panel Flange w/ Straight Stop, For Gas, Air, and Vacuum Applications,  
 3/8" NPT Female Inlet, Serrated Tip Outlet

Product Compliance:  
 ANSI Z21.15a / CSA 9.1a (Gas Valves)

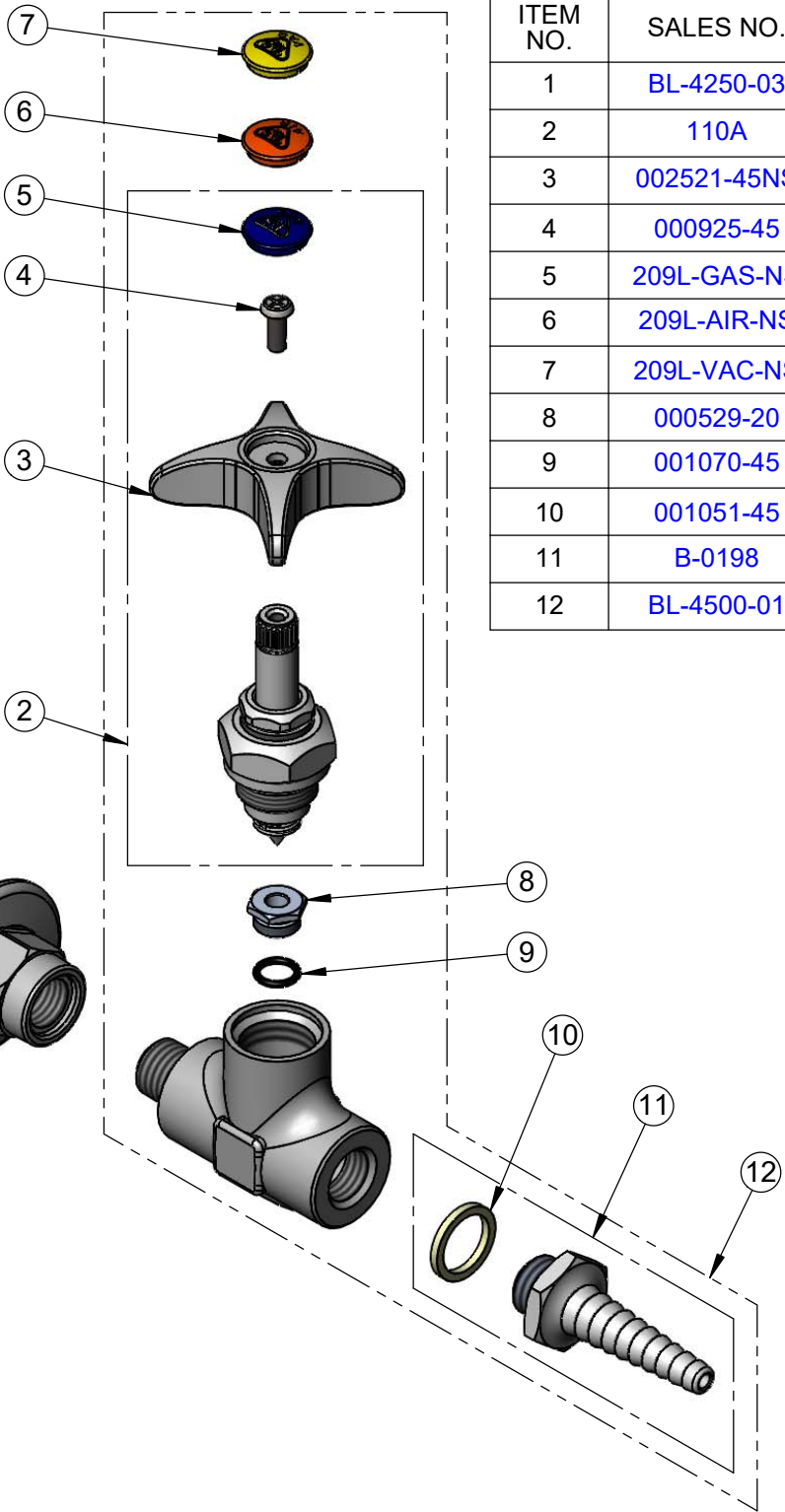


**T&S BRASS AND BRONZE WORKS, INC.**  
 2 Saddleback Cove / P.O. Box 1088  
 Travelers Rest, SC 29690

Model No.  
**BL-4350-01**

Item No.

Travelers Rest, SC: 800-476-4103 • Simi Valley, CA: 800-423-0150 • Fax: 864-834-3518 • www.tsbrass.com



ITEM NO.	SALES NO.	DESCRIPTION
1	BL-4250-03	Flange, 3/8" NPT
2	110A	Spindle Asm., BL-4500-01
3	002521-45NS	4-Arm Handle (New Style)
4	000925-45	Lab Handle Screw
5	209L-GAS-NS	Dark Blue "GAS" Lab Button Index
6	209L-AIR-NS	Orange "AIR" Lab Button Index
7	209L-VAC-NS	Yellow "VAC" Lab Button Index
8	000529-20	Seat, BL-4500-01
9	001070-45	O-Ring
10	001051-45	Washer
11	B-0198	Serrated Tip Outlet
12	BL-4500-01	Straight Stop w/ Color Coded Indexes

Product Specifications:  
 Panel Flange w/ Straight Stop, For Gas, Air, and Vacuum Applications,  
 3/8" NPT Female Inlet, Serrated Tip Outlet

Product Compliance:  
 ANSI Z21.15a / CSA 9.1a (Gas Valves)