



**T&S BRASS AND BRONZE WORKS, INC.**  
 2 Saddleback Cove / P.O. Box 1088  
 Travelers Rest, SC 29690

Model No.  
**BL-4250-02**

Item No.

Travelers Rest, SC: 800-476-4103 • Simi Valley, CA: 800-423-0150 • Fax: 864-834-3518 • www.tsbrass.com



**ADA Compliant**

**NOTES:**

1. Natural Gas Pressure: 0.5 PSIG Max.  
 (For Natural Gas above 0.5 PSIG or Oxygen and Specialty Gases, use **BL-4010-01** Gas Cock.)
2. Air Pressure: 125 PSIG Max.
3. Vacuum: 30 inches of Mercury Max.
4. Certified to ANSI Z21.15a / CSA 9.1a

This Space for Architect/Engineer Approval

Job Name \_\_\_\_\_ Date \_\_\_\_\_

Model Specified \_\_\_\_\_ Quantity \_\_\_\_\_

Customer/Wholesaler \_\_\_\_\_

Contractor \_\_\_\_\_

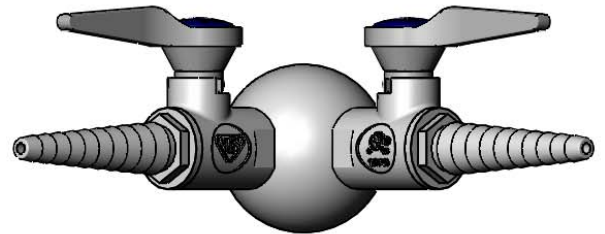
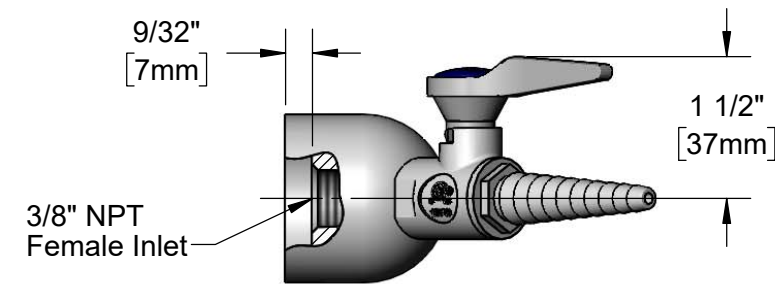
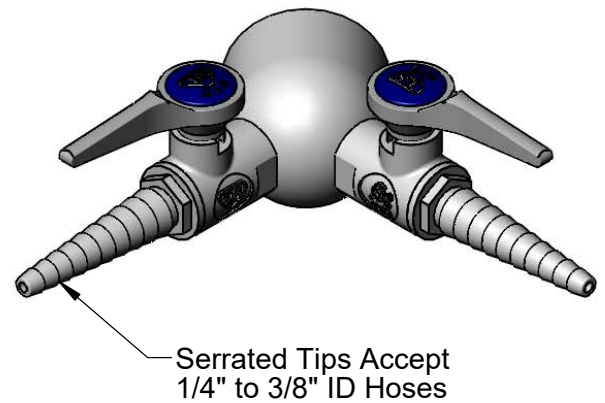
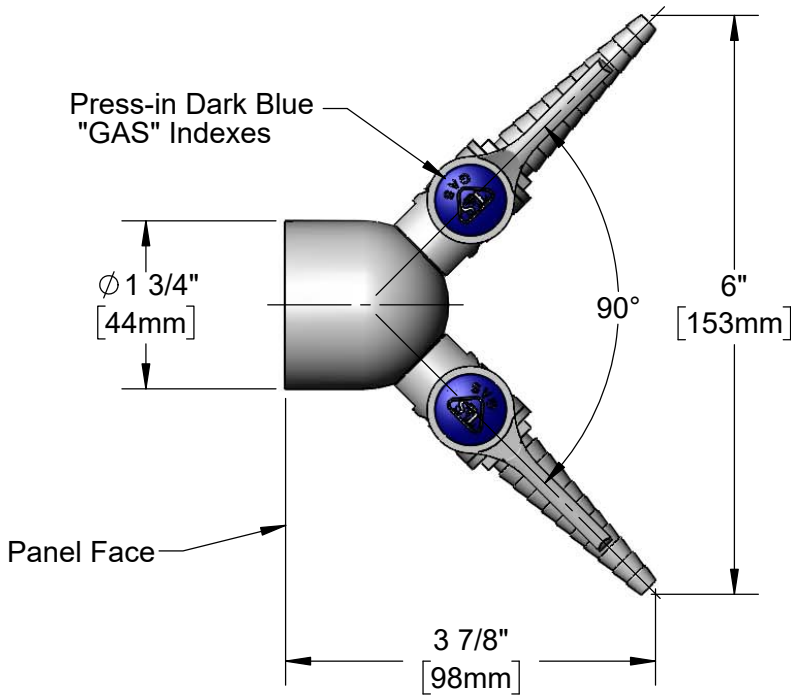
Architect/Engineer \_\_\_\_\_



**209L-AIR-NS**  
 Indexes  
 Included



**209L-VAC-NS**  
 Indexes  
 Included



Product Specifications:  
 Panel Flange w/ (2) 3/8" NPT Hose Cocks

Product Compliance:  
 ANSI Z21.15a / CSA 9.1a  
 ANSI A117.1 (ADA)



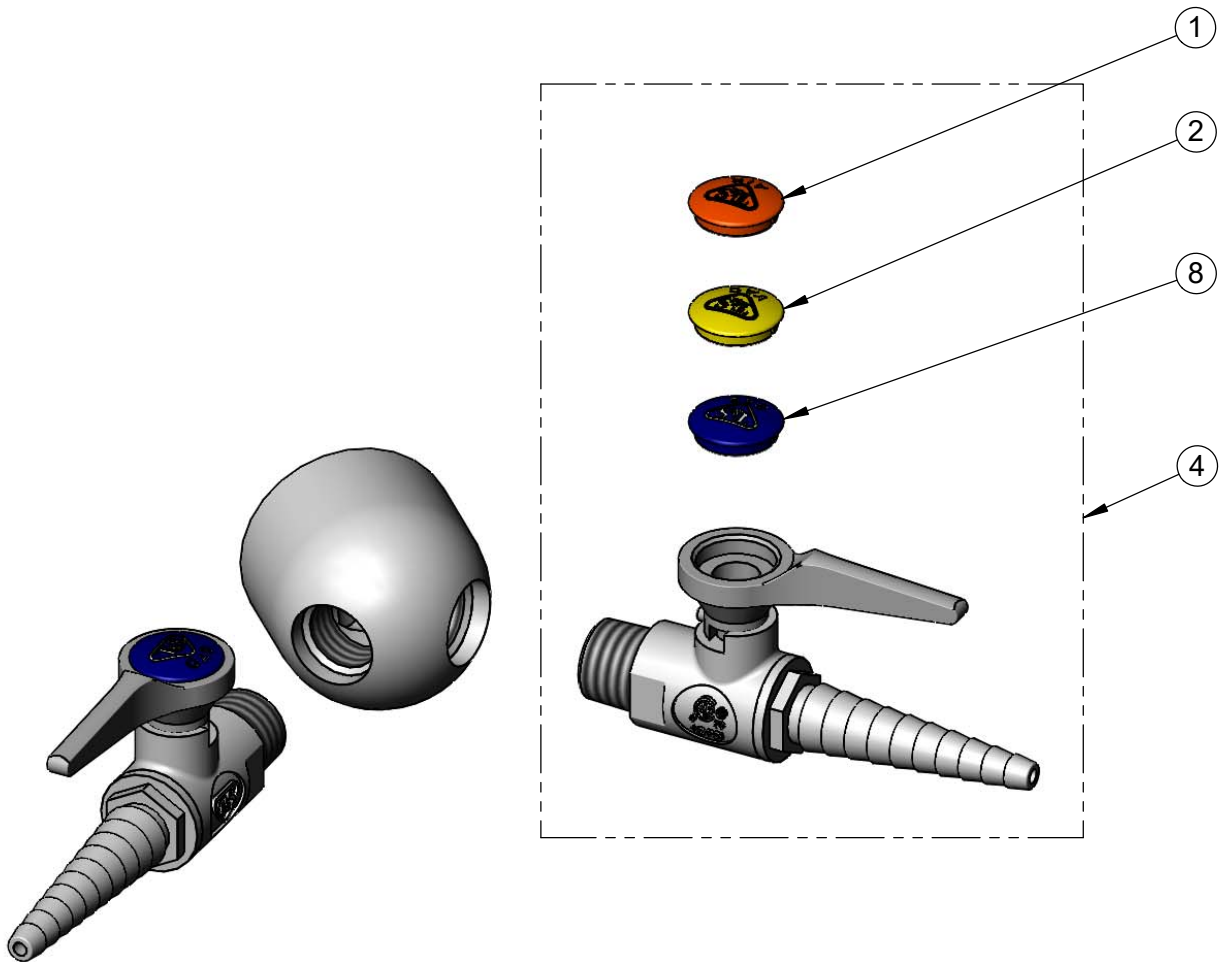
**T&S BRASS AND BRONZE WORKS, INC.**  
 2 Saddleback Cove / P.O. Box 1088  
 Travelers Rest, SC 29690

Model No.  
**BL-4250-02**

Item No.

Travelers Rest, SC: 800-476-4103 • Simi Valley, CA: 800-423-0150 • Fax: 864-834-3518 • www.tsbrass.com

ITEM NO.	SALES NO.	DESCRIPTION
1	209L-AIR-NS	Orange "AIR" Lab Button Index
2	209L-VAC-NS	Yellow "VAC" Lab Button Index
3	BL-4000-01	Ball Valve Hose Cock w/ GAS, AIR & VAC Indexes
8	209L-GAS-NS	Dark Blue "GAS" Lab Button Index



Product Specifications:  
 Panel Flange w/ (2) 3/8" NPT Hose Cocks

Product Compliance:  
 ANSI Z21.15a / CSA 9.1a  
 ANSI A117.1 (ADA)