



# T&S BRASS AND BRONZE WORKS, INC.

2 Saddleback Cove / P.O. Box 1088  
Travelers Rest, SC 29690

Model No.

**BL-4250-01**

Item No.

Travelers Rest, SC: 800-476-4103 • Simi Valley, CA: 800-423-0150 • Fax: 864-834-3518 • www.tsbrass.com



**ADA Compliant**

This Space for Architect/Engineer Approval

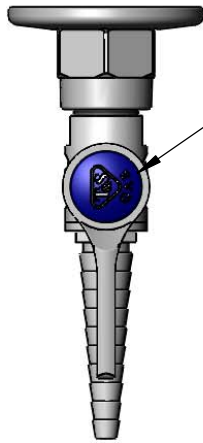
Job Name \_\_\_\_\_ Date \_\_\_\_\_

Model Specified \_\_\_\_\_ Quantity \_\_\_\_\_

Customer/Wholesaler \_\_\_\_\_

Contractor \_\_\_\_\_

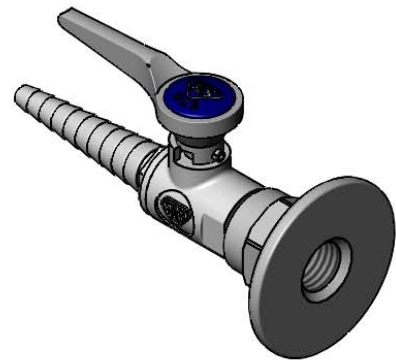
Architect/Engineer \_\_\_\_\_



Press-in Dark Blue "GAS" Index



**209L-VAC-NS**  
Index  
(Included)

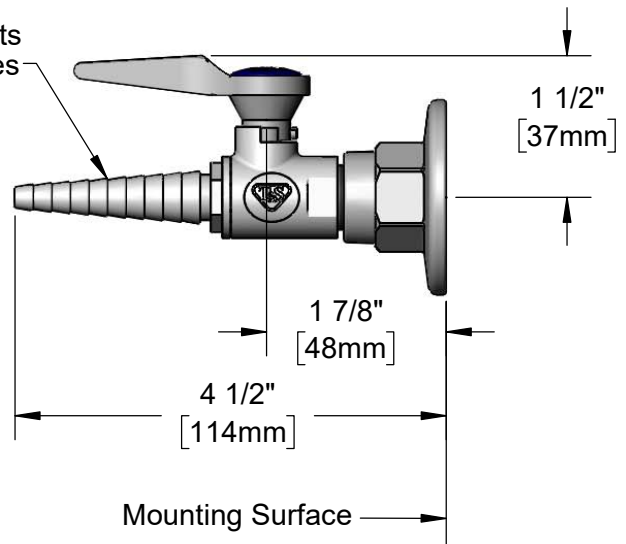


**209L-AIR-NS**  
Index  
(Included)



Serrated Tip Accepts  
1/4" to 3/8" ID Hoses

Ø 2" [51mm]  
Flange w/  
3/8" NPT  
Female Inlet



**Notes:**

1. Natural Gas Pressure: 0.5 PSIG Max.  
(For Natural Gas above 0.5 PSIG or Oxygen and Specialty Gases, use [BL-4010-01](#) Gas Cock.)
2. Air Pressure: 125 PSIG Max.
3. Vacuum: 30 Inches of Mercury Max.
4. Temperature Range: 32 °F - 125 °F

**Product Specifications:**

Laboratory Panel Flange Hose Cock w/ "GAS," "AIR" & "VAC" Color Coded Indexes, Serrated Tip & 3/8" NPT Female Inlet

**Product Compliance:**

ANSI Z21.15a / CSA 9.1a  
ANSI A117.1 (ADA)



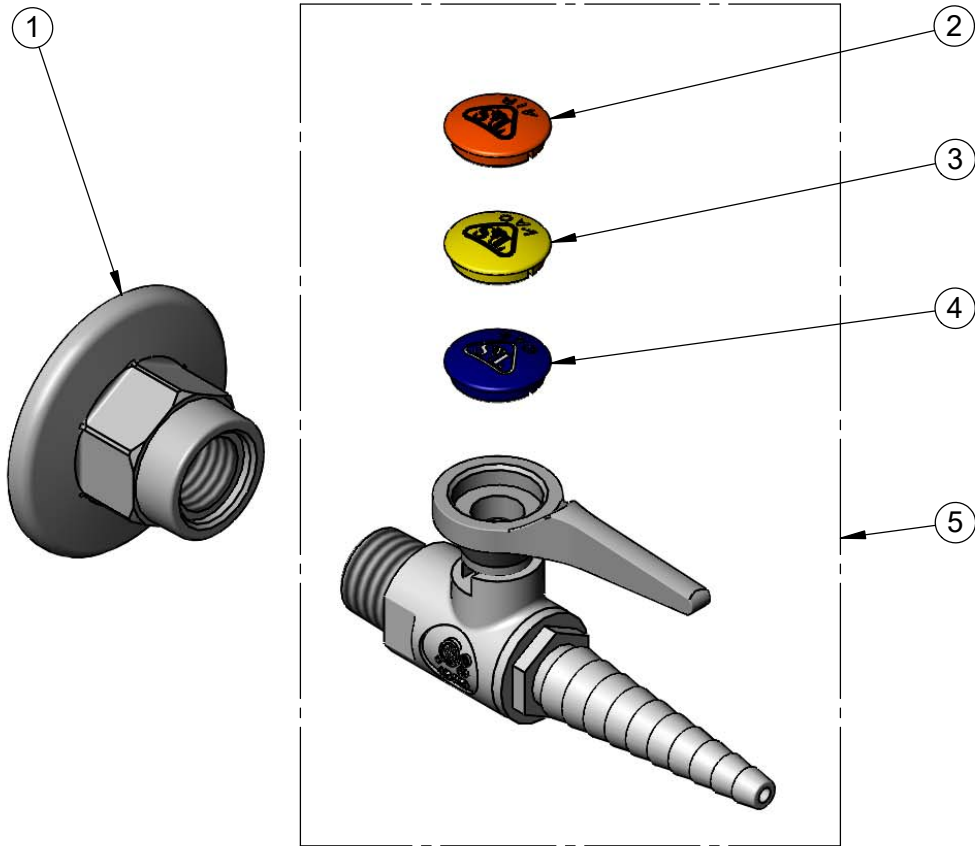
**T&S BRASS AND BRONZE WORKS, INC.**  
 2 Saddleback Cove / P.O. Box 1088  
 Travelers Rest, SC 29690

Model No.  
**BL-4250-01**

Item No.

Travelers Rest, SC: 800-476-4103 • Simi Valley, CA: 800-423-0150 • Fax: 864-834-3518 • www.tsbrass.com

ITEM NO.	SALES NO.	DESCRIPTION
1	BL-4250-03	Flange, 3/8" NPT
2	209L-AIR-NS	Orange "AIR" Lab Button Index
3	209L-VAC-NS	Yellow "VAC" Lab Button Index
4	209L-GAS-NS	Dark Blue "GAS" Lab Button Index
5	BL-4000-01	Ball Valve Hose Cock w/ GAS, AIR & VAC Indexes



Product Specifications:  
 Laboratory Panel Flange Hose Cock w/ "GAS," "AIR" & "VAC" Color Coded Indexes, Serrated Tip & 3/8" NPT Female Inlet

Product Compliance:  
 ANSI Z21.15a / CSA 9.1a  
 ANSI A117.1 (ADA)