



# T&S BRASS AND BRONZE WORKS, INC.

2 Saddleback Cove / P.O. Box 1088  
Travelers Rest, SC 29690

Model No.

**BL-4210 SERIES**

Item No.

Travelers Rest, SC: 800-476-4103 • Simi Valley, CA: 800-423-0150 • Fax: 864-834-3518 • www.tsbrass.com

This Space for Architect/Engineer Approval

Job Name \_\_\_\_\_ Date \_\_\_\_\_

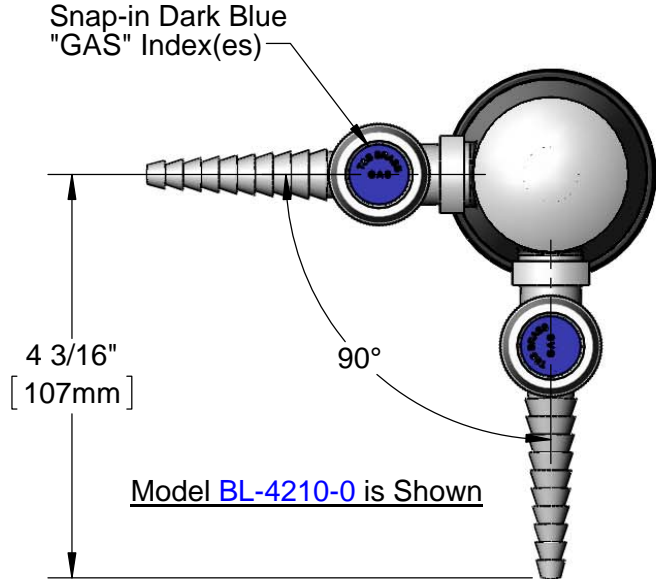
Model Specified \_\_\_\_\_ Quantity \_\_\_\_\_

Customer/Wholesaler \_\_\_\_\_

Contractor \_\_\_\_\_

Architect/Engineer \_\_\_\_\_

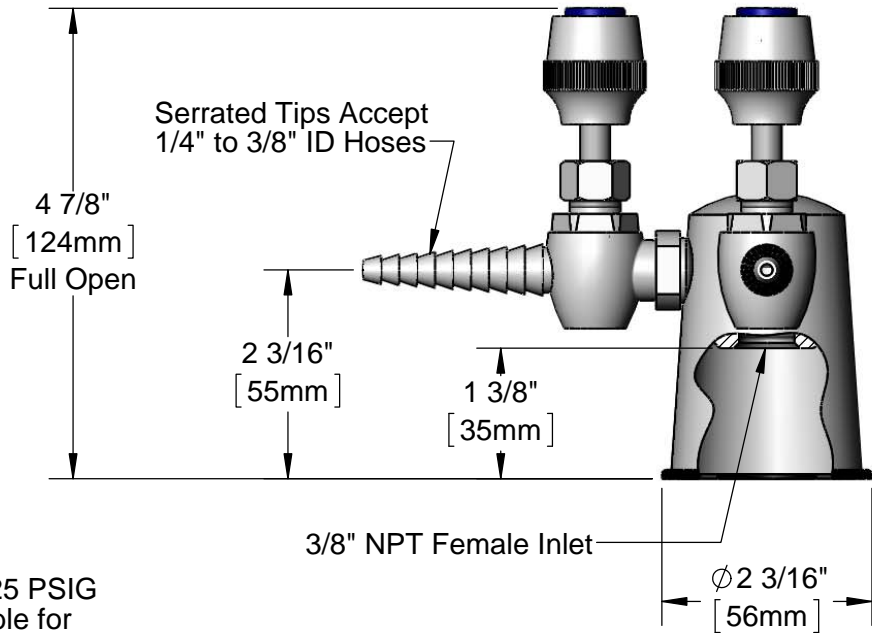
BL-4210-0	Turret w/ (2) Hose Cocks @ 90°
BL-4210-01	Turret w/ (1) Hose Cock
BL-4210-02	Turret w/ (2) Hose Cocks @ 180°
BL-4210-04	Turret w/ (4) Hose Cocks @ 90°



**209L-AIR**  
Index(es)  
Included



**209L-VAC**  
Index(es)  
Included



**Notes:**

1. Maximum Rated Pressure is 125 PSIG
2. Special Packing in Valve Suitable for Oxygen, Hydrogen, and Other Special Gases

Product Specifications:  
Laboratory Turret w/ Needle Valve Hose Cock(s)

Drawn <b>DMH</b>	Checked <b>JRM</b>	Approved <b>JHB</b>
Scale: <b>1:2</b>		Date: <b>05/21/12</b>



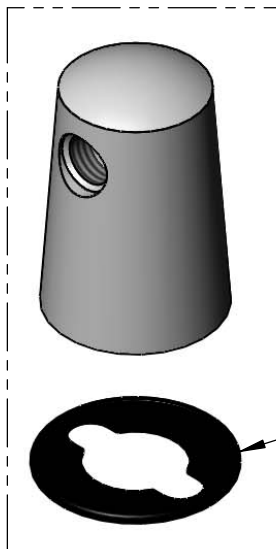
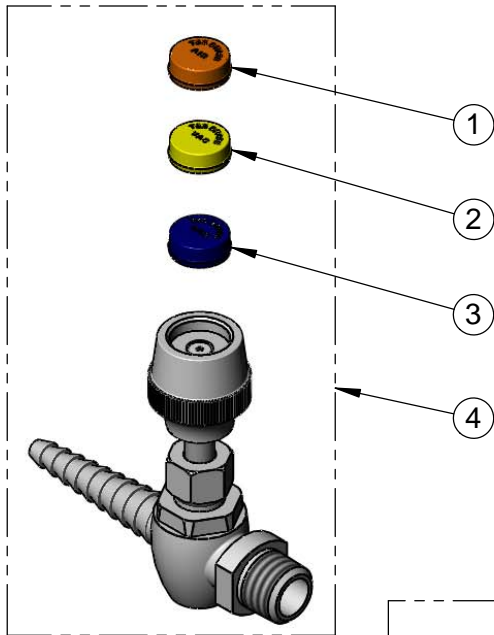
**T&S BRASS AND BRONZE WORKS, INC.**  
 2 Saddleback Cove / P.O. Box 1088  
 Travelers Rest, SC 29690

Model No.  
**BL-4210 SERIES**

Item No.

Travelers Rest, SC: 800-476-4103 • Simi Valley, CA: 800-423-0150 • Fax: 864-834-3518 • www.tsbrass.com

ITEM NO.	SALES NO.	DESCRIPTION
1	209L-AIR	Cap, Index, Orange, Air
2	209L-VAC	Cap, Index, Yellow, Vacuum
3	209L-GAS	Cap, Index, Blue, Gas
4	BL-4010-01	Needle Valve Hose Cock w/ GAS, AIR & VAC Indexes
5	144L	Gasket Polypropylene



Turret Body sold separately with gasket as BL-4100-XX. -XX suffix references the number of outlets and their orientation per turret. See Table on Page 1 for suffix.

Product Specifications:  
 Laboratory Turret w/ Needle Valve Hose Cock(s)

Drawn <b>DMH</b>	Checked <b>JRM</b>	Approved <b>JHB</b>
Scale: <b>NTS</b>		Date: <b>05/21/12</b>