



**T&S BRASS AND BRONZE WORKS, INC.**  
 2 Saddleback Cove / P.O. Box 1088  
 Travelers Rest, SC 29690

Model No.  
**BL-4210 SERIES**

Item No.

Travelers Rest, SC: 800-476-4103 • Simi Valley, CA: 800-423-0150 • Fax: 864-834-3518 • www.tsbrass.com

BL-4210-0	Turret w/ (2) Hose Cocks @ 90°
BL-4210-01	Turret w/ (1) Hose Cock
BL-4210-02	Turret w/ (2) Hose Cocks @ 180°

This Space for Architect/Engineer Approval

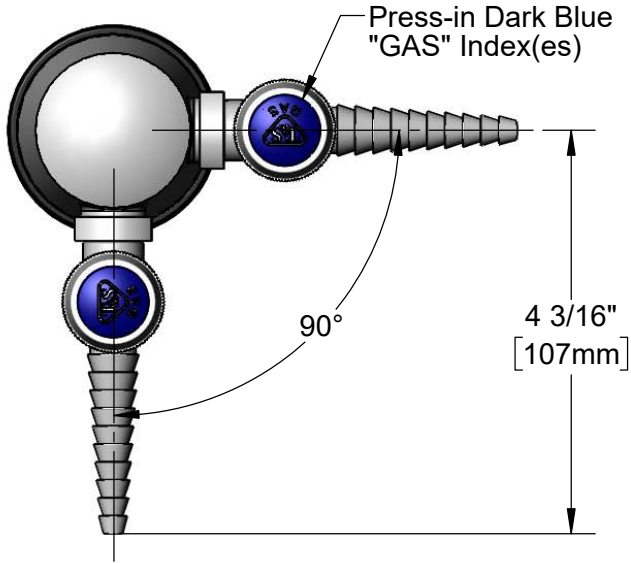
Job Name \_\_\_\_\_ Date \_\_\_\_\_

Model Specified \_\_\_\_\_ Quantity \_\_\_\_\_

Customer/Wholesaler \_\_\_\_\_

Contractor \_\_\_\_\_

Architect/Engineer \_\_\_\_\_



Model BL-4210-0 Shown

Notes:

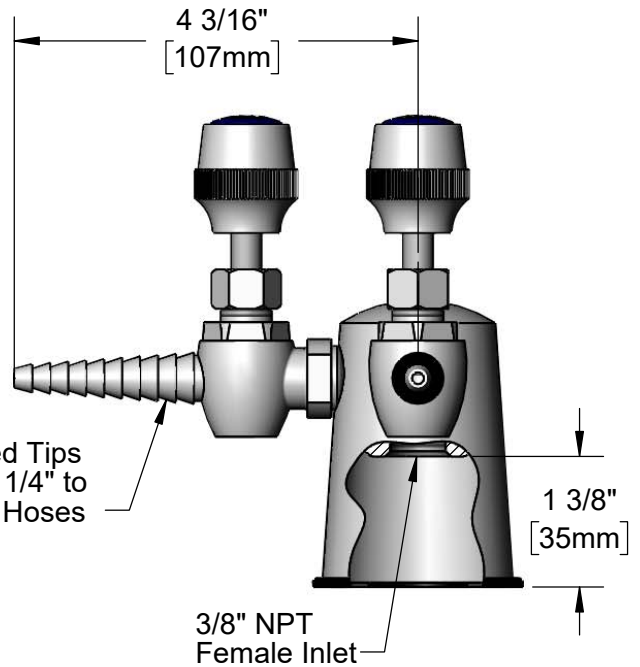
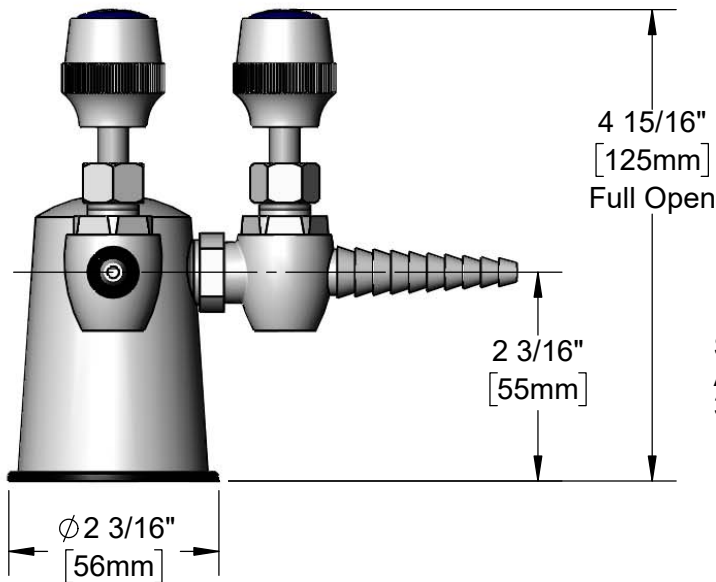
1. Special Packing in Valve Suitable for Oxygen, Hydrogen and Other Special Gases
2. Pressure:  
 Fuel Gas - 0.5 psi max  
 Other Gases Including Air - 80 psi max  
 Vacuum - 30 inches of Mercury max
3. Temperature: 32°F - 125°F



**209L-AIR-NS**  
 Index(es)  
 Included



**209L-VAC-NS**  
 Index(es)  
 Included



Product Specifications:  
 Laboratory Turret w/ Needle Valve Hose Cock(s)

Product Compliance:  
 ANSI Z21.15a / CSA 9.1a (Gas Valves)



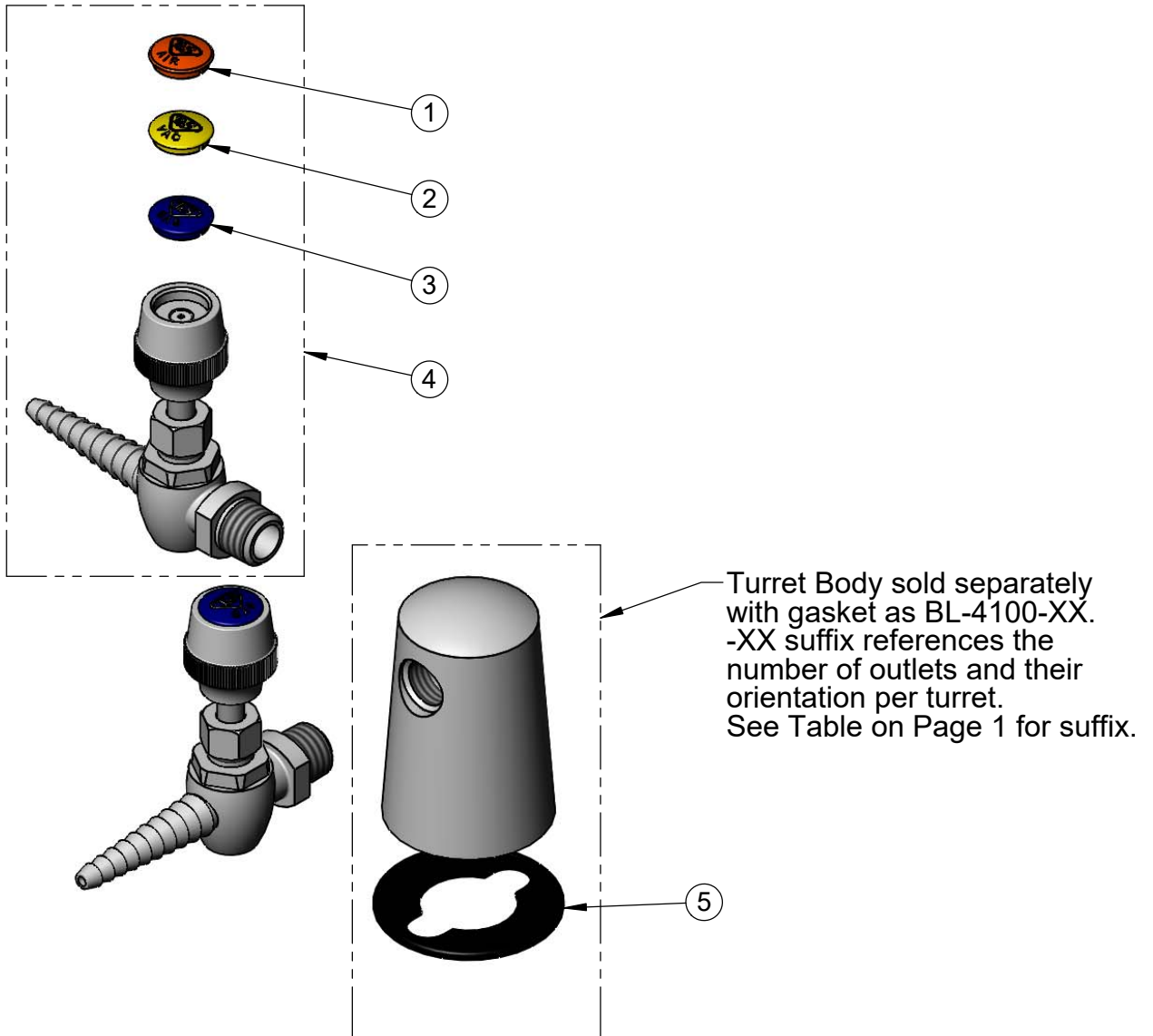
**T&S BRASS AND BRONZE WORKS, INC.**  
 2 Saddleback Cove / P.O. Box 1088  
 Travelers Rest, SC 29690

Model No.  
**BL-4210 SERIES**

Item No.

Travelers Rest, SC: 800-476-4103 • Simi Valley, CA: 800-423-0150 • Fax: 864-834-3518 • www.tsbrass.com

ITEM NO.	SALES NO.	DESCRIPTION
1	209L-AIR-NS	Orange "AIR" Lab Button Index
2	209L-VAC-NS	Yellow "VAC" Lab Button Index
3	209L-GAS-NS	Dark Blue "GAS" Lab Button Index
4	BL-4010-01	Needle Valve Hose Cock w/ GAS, AIR & VAC Indexes
5	144L	Black Plastic Gasket



Product Specifications:  
 Laboratory Turret w/ Needle Valve Hose Cock(s)

Product Compliance:  
 ANSI Z21.15a / CSA 9.1a (Gas Valves)