



T&S BRASS AND BRONZE WORKS, INC.
 2 Saddleback Cove / P.O. Box 1088
 Travelers Rest, SC 29690

Model No.
BL-4200 SERIES

Item No.

Travelers Rest, SC: 800-476-4103 • Simi Valley, CA: 800-423-0150 • Fax: 864-834-3518 • www.tsbrass.com

BL-4200-0	Turret w/ (2) Hose Cocks @ 90°
BL-4200-01	Turret w/ (1) Hose Cock
BL-4200-02	Turret w/ (2) Hose Cocks @ 180°
BL-4200-03	Turret w/ (3) Hose Cocks @ 90°
BL-4200-04	Turret w/ (4) Hose Cocks @ 90°

This Space for Architect/Engineer Approval

Job Name _____ Date _____

Model Specified _____ Quantity _____

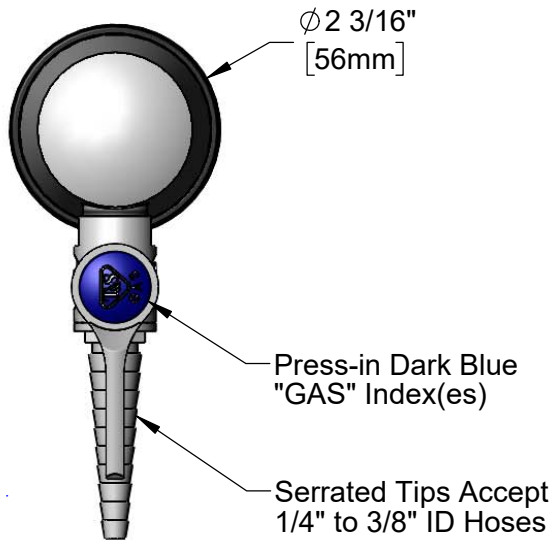
Customer/Wholesaler _____

Contractor _____

Architect/Engineer _____

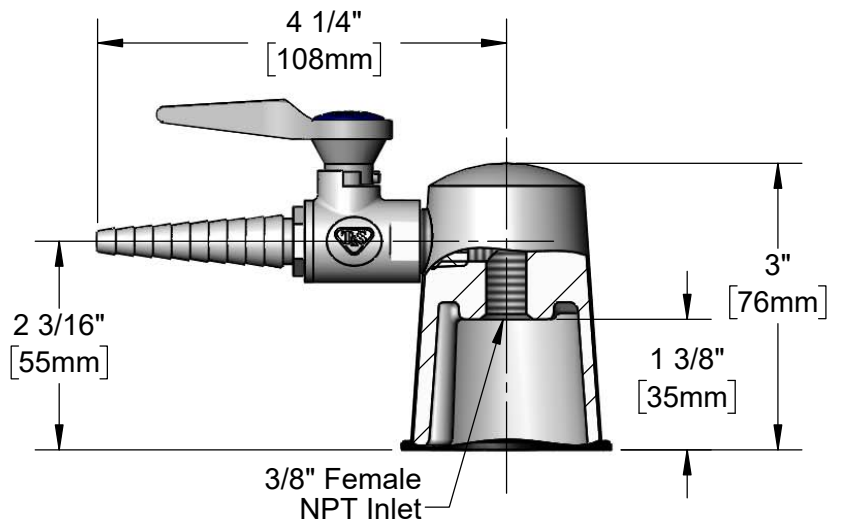
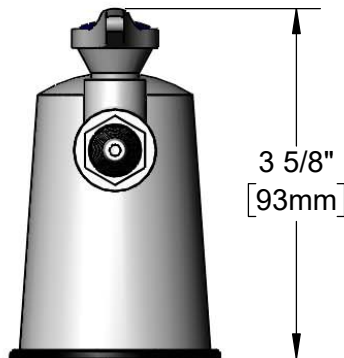
Notes:

1. Natural Gas Pressure: 0.5 PSIG Max. (For Natural Gas above 0.5 PSIG or Oxygen and Specialty Gases, use [BL-4010-01](#) Gas Cock.)
2. Air Pressure: 125 PSIG Max.
3. Vacuum: 30 inches of Mercury Max.
4. Certified to ANSI Z21.15a / CSA 9.1a



209L-VAC-NS
 Index(es)
 Included

209L-AIR-NS
 Index(es)
 Included



Product Specifications:
 Laboratory Turret w/ Serrated Hose Cock

Product Compliance:
 ANSI Z21.15a / CSA 9.1a
 ANSI A117.1 (ADA)



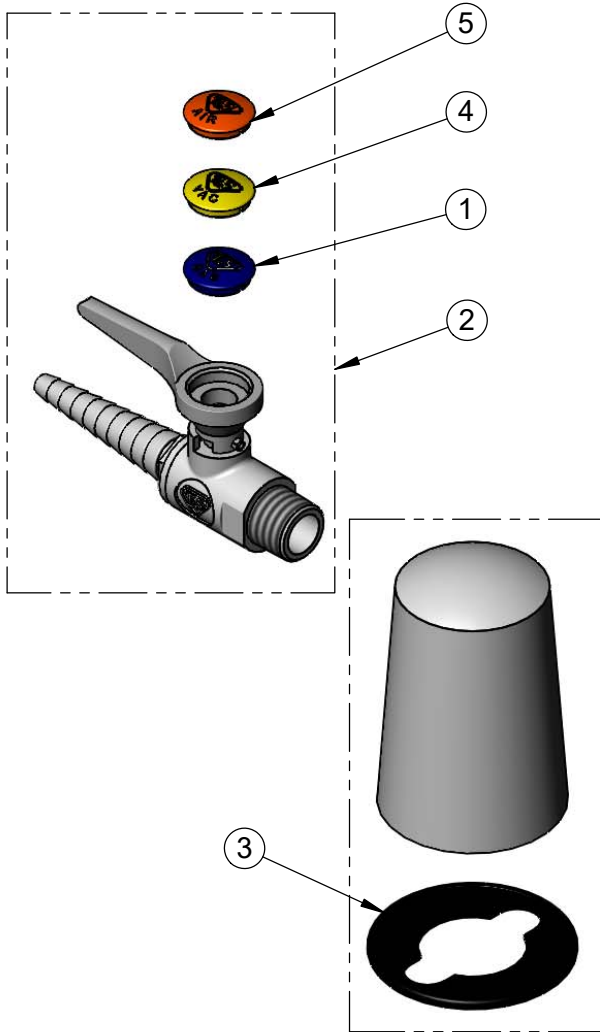
T&S BRASS AND BRONZE WORKS, INC.
 2 Saddleback Cove / P.O. Box 1088
 Travelers Rest, SC 29690

Model No.
BL-4200 SERIES

Item No.

Travelers Rest, SC: 800-476-4103 • Simi Valley, CA: 800-423-0150 • Fax: 864-834-3518 • www.tsbrass.com

ITEM NO.	SALES NO.	DESCRIPTION
1	209L-GAS-NS	Dark Blue "GAS" Lab Button Index
2	BL-4000-01	Ball Valve Hose Cock w/ GAS, AIR & VAC Indexes
3	144L	Black Plastic Gasket
4	209L-VAC-NS	Yellow "VAC" Lab Button Index
5	209L-AIR-NS	Orange "AIR" Lab Button Index



Turret Sold Separately w/
 Gasket as BL-4100-XX.
 -XX Suffix Refers to the
 Number of Outlets and Their
 Orientation on Turret. See
 Table on Sheet 1 for List of
 Suffixes.

Product Specifications:
 Laboratory Turret w/ Serrated Hose Cock

Product Compliance:
 ANSI Z21.15a / CSA 9.1a
 ANSI A117.1 (ADA)