



T&S BRASS AND BRONZE WORKS, INC.

2 Saddleback Cove / P.O. Box 1088
Travelers Rest, SC 29690

Model No.

BKY-8WLN-12-4C

Item No.

Travelers Rest, SC: 800-476-4103 • Simi Valley, CA: 800-423-0150 • Fax: 864-834-3518 • www.tsbrass.com

This Space for Architect/Engineer Approval

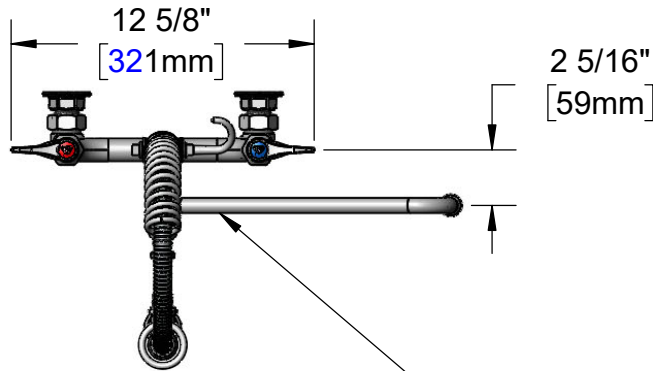
Job Name _____ Date _____

Model Specified _____ Quantity _____

Customer/Wholesaler _____

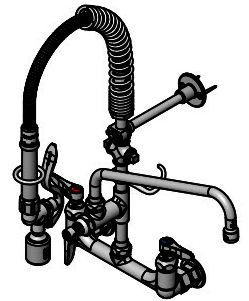
Contractor _____

Architect/Engineer _____



062X
12" Swing Nozzle
w/ Stream
Regulator Outlet

24" Stainless Steel
Hose w/ Spray Valve
& Handle

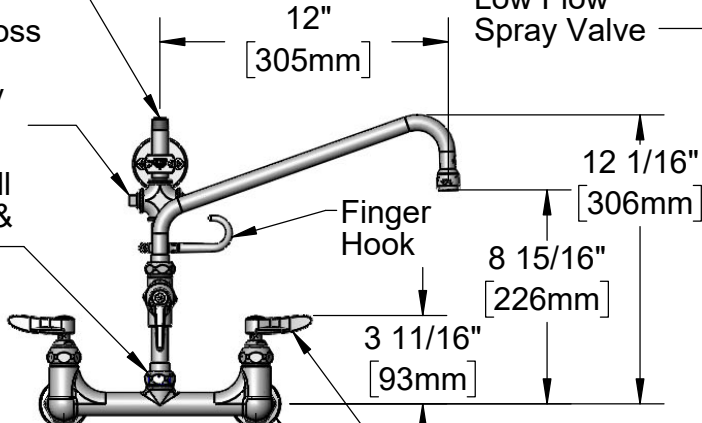


BK-0107-C
0.65 GPM
Low Flow
Spray Valve

B-0109-01
6" Wall
Bracket

Items Not
Shown
for Clarity
4-Way Cross
for use w/
Accessory
Fittings

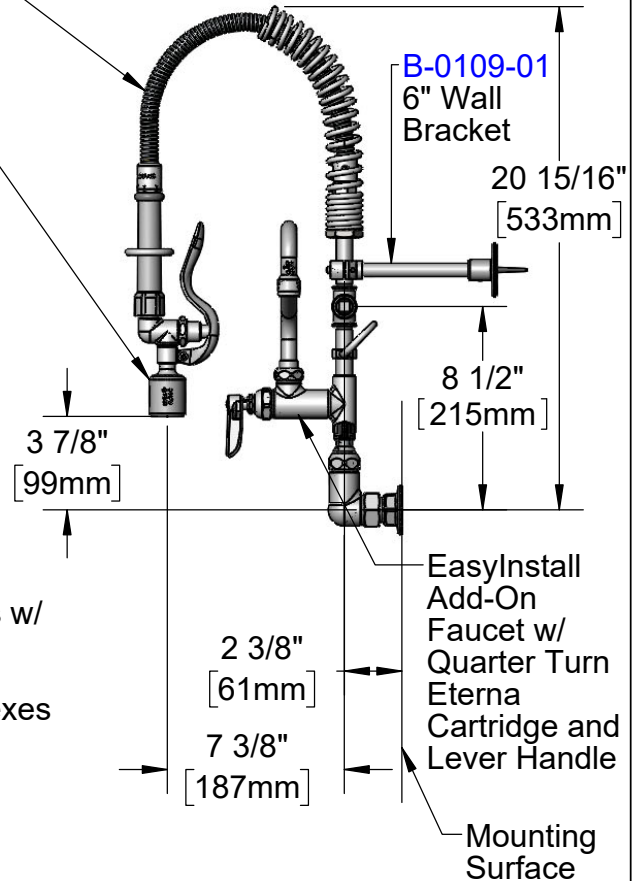
EasyInstall
Lock Nut &
Bushing



8" c/c
[203mm]
Adjustable from
7 3/4" to 8 1/4"
[197mm to 210mm]

Quarter-Turn
Eterna Cartridges w/
Spring Checks,
Lever Handles w/
Color Coded Indexes

Ø2" [51mm]
Flanges w/
1/2" NPT
Female Inlets



EasyInstall
Add-On
Faucet w/
Quarter Turn
Eterna
Cartridge and
Lever Handle

Mounting
Surface

Product Specifications:

8" c/c Wall Mount Mixing Faucet w/ Quarter-Turn Eterna Cartridges w/ Spring Checks, Lever Handles, 1/2" NPT Female Inlets, Add-On Faucet, Overhead Spring, 24" Flexible Hose, Accessory Fitting Cross, Spray Valve and 6" Wall Bracket

Product Compliance:

ASME A112.18.1 / CSA B125.1
NSF 61 - Section 9
NSF 372 (Low Lead Content)
2019 DOE PRSV - Class I
For Commercial Use Only



T&S BRASS AND BRONZE WORKS, INC.

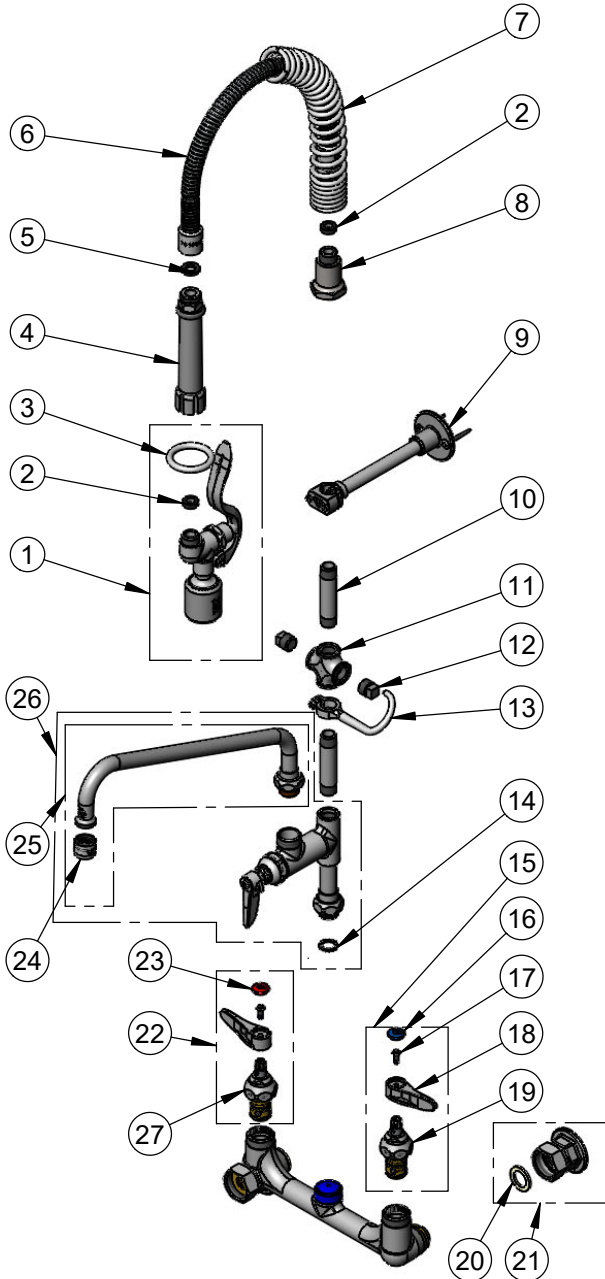
2 Saddleback Cove / P.O. Box 1088
Travelers Rest, SC 29690

Model No.

BKY-8WLN-12-4C

Item No.

Travelers Rest, SC: 800-476-4103 • Simi Valley, CA: 800-423-0150 • Fax: 864-834-3518 • www.tsbrass.com



ITEM NO.	SALES NO.	DESCRIPTION
1	BK-0107-C	0.65 GPM Low Flow Spray Valve
2	010476-45	#27 Washer
3	000907-45	Spray Valve Hold Down Ring
4	002987-40	Grip Handle
5	001014-45	Washer, B-0100 Hose Barrel
6	B-0024-H2A	24" Flexible Stainless Steel Hose, Less Handle
7	016795-45	Compact Spring
8	000821-40	Spring Body
9	B-0109-01	6" Wall Bracket
10	000358-40	Nipple, 3/8" NPT x 3"
11	016804-40	Cross, 3/8" NPT
12	002369-25	Plug, 3/8" NPT
13	004R	Finger Hook
14	014200-45	Star Washer, Anti-Rotation
15	002711-40NS	Quarter-Turn Eterna Cartridge (LTC) w/ Spring Check, Handle, Index & Screw
16	018506-19NS	Blue Index - CW
17	000925-45	Lab Handle Screw
18	001638-45NS	Lever Handle (New Style)
19	012442-40NS	Eterna Bonnet (New Style)
20	001019-45	Coupling Nut Washer
21	00AA	1/2" NPT Female Eccentric Flange
22	002712-40NS	Quarter-Turn Eterna Cartridge (RTC) w/ Spring Check, Handle, Index & Screw
23	001193-19NS	Red Index - HW
24	B-PT	Full Flow Stream Regulator, 55/64-27
25	062X	12" Swing Nozzle
26	B-0156-EZ	EasyInstall Add-On Faucet
27	012443-40NS	Eterna Crtridge (RTC) w/Spring Check

Product Specifications:

8" c/c Wall Mount Mixing Faucet w/ Quarter-Turn Eterna Cartridges w/ Spring Checks, Lever Handles, 1/2" NPT Female Inlets, Add-On Faucet, Overhead Spring, 24" Flexible Hose, Accessory Fitting Cross, Spray Valve and 6" Wall Bracket

Product Compliance:

ASME A112.18.1 / CSA B125.1
NSF 61 - Section 9
NSF 372 (Low Lead Content)
2019 DOE PRSV - Class I
For Commercial Use Only