



# T&S BRASS AND BRONZE WORKS, INC.

2 Saddleback Cove / P.O. Box 1088  
Travelers Rest, SC 29690

Model No.

**BF-035A**

Item No.

Travelers Rest, SC: 800-476-4103 • Simi Valley, CA: 800-423-0150 • Fax: 864-834-3518 • www.tsbrass.com

This Space for Architect/Engineer Approval

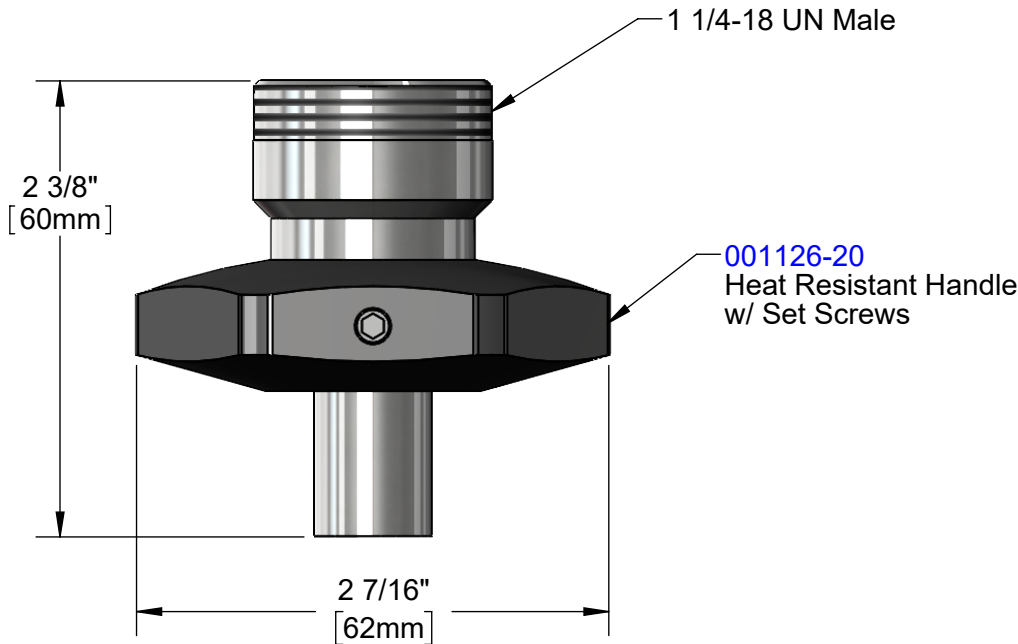
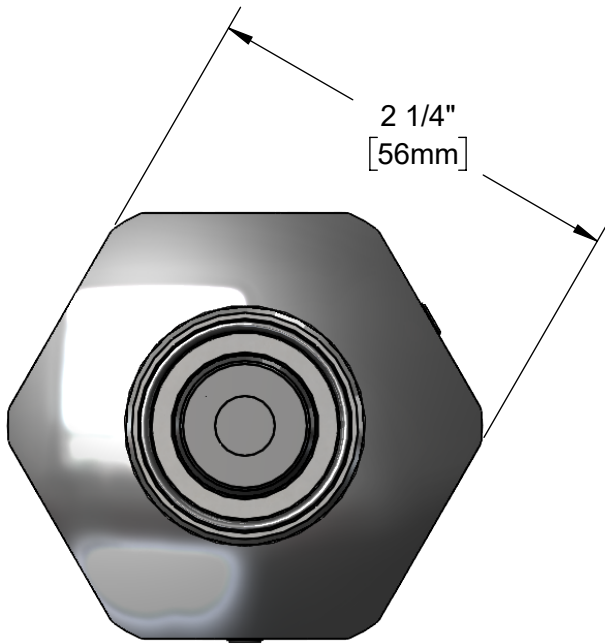
Job Name \_\_\_\_\_ Date \_\_\_\_\_

Model Specified \_\_\_\_\_ Quantity \_\_\_\_\_

Customer/Wholesaler \_\_\_\_\_

Contractor \_\_\_\_\_

Architect/Engineer \_\_\_\_\_



Product Specifications:  
Big-Flo On-Off Flow Control w/ Heat Resistant Handle

Product Compliance:  
NSF 61 - Section 9  
NSF 372 (Low Lead Content)



# T&S BRASS AND BRONZE WORKS, INC.

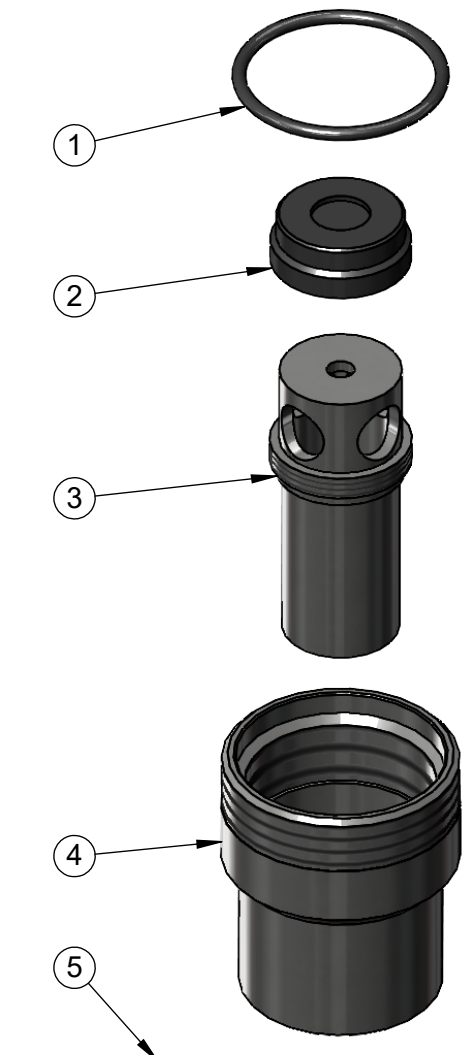
2 Saddleback Cove / P.O. Box 1088  
Travelers Rest, SC 29690

Model No.

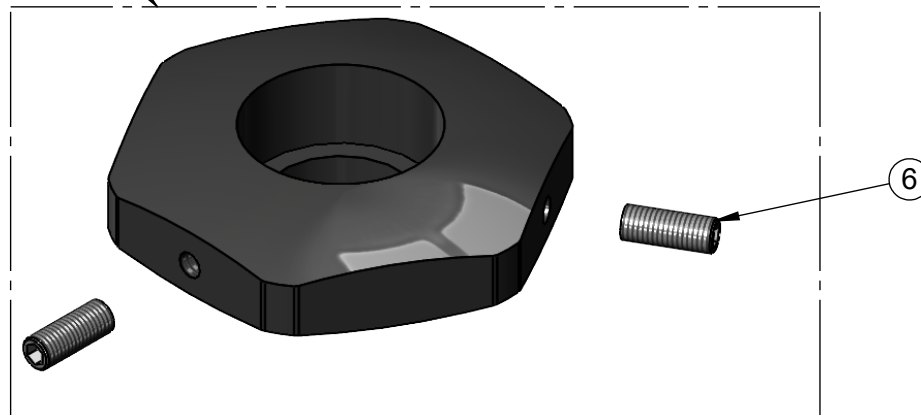
**BF-035A**

Item No.

Travelers Rest, SC: 800-476-4103 • Simi Valley, CA: 800-423-0150 • Fax: 864-834-3518 • www.tsbrass.com



| ITEM NO. | SALES NO. | DESCRIPTION                |
|----------|-----------|----------------------------|
| 1        | 129F      | O-Ring                     |
| 2        | 001089-45 | Seal                       |
| 3        | 001498-25 | Spout                      |
| 4        | 021070-25 | BF-0592 Spout Body         |
| 5        | 001126-20 | Black Handle w/ Set Screws |
| 6        | 000936-45 | Handle Set Screw           |



Product Specifications:  
Big-Flo On-Off Flow Control w/ Heat Resistant Handle

Product Compliance:  
NSF 61 - Section 9  
NSF 372 (Low Lead Content)