



T&S BRASS AND BRONZE WORKS, INC.
 2 Saddleback Cove / P.O. Box 1088
 Travelers Rest, SC 29690

Model No.
BA-2742

Item No.

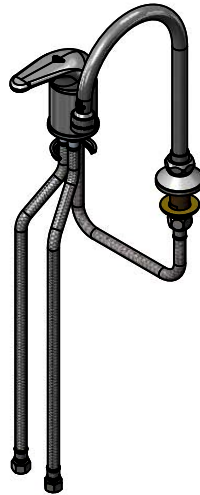
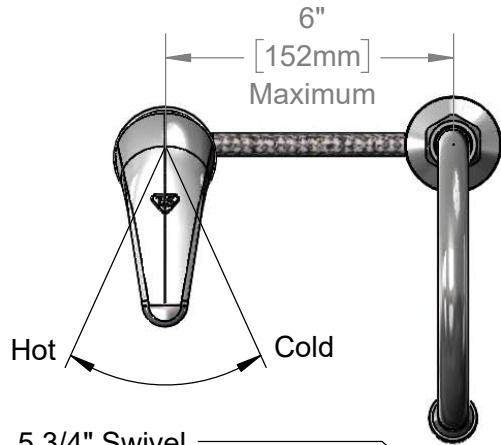
Travelers Rest, SC: 800-476-4103 • Simi Valley, CA: 800-423-0150 • Fax: 864-834-3518 • www.tsbrass.com



ADA Compliant

This Space for Architect/Engineer Approval

Job Name _____ Date _____
 Model Specified _____ Quantity _____
 Customer/Wholesaler _____
 Contractor _____
 Architect/Engineer _____



5 3/4" Swivel
 Gooseneck w/
 B-0199-06
 VR 2.2 GPM Aerator.
 Rigid Conversion Requires
 014200-45 Lock Washer
 (Included)

Ceramic Cartridge w/
 Temperature Limit Stop

Temperature
 Index

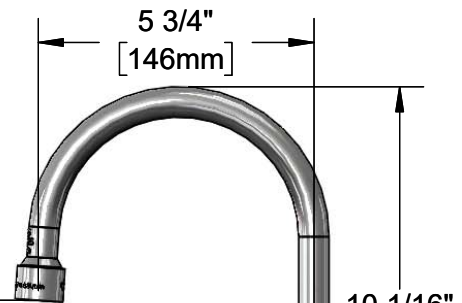
Ø 2 1/8"
 [54mm] Base

Brass Lock
 Nut &
 Threaded
 Locking Rod

(2) 16" Flexible Stainless Steel
 Hoses w/ 3/8" Compression
 Swivel Ends

Ø 2" [51mm] Base
 w/ 1/2" NPSM Male Inlet

13" Flexible Stainless Steel
 Outlet Hose w/ 1/2" NPSM
 Female Coupling



10 1/16"
 [256mm]

5 5/8"
 [143mm]

5 3/16"
 [132mm]
 Full
 "ON"

3 15/16"
 [99mm]
 "OFF"

3/16"
 [5mm]
 Maximum
 Thickness

Rough-in Requirements:
 Swivel Deck Flange: Ø 1" [25mm] Hole
 Sidemount: Ø 1 1/2" [38mm] Hole

Product Specifications:
 Single Lever Side Mount Remote On/Off Control Base Faucet, Ceramic
 Cartridge, Swivel Gooseneck, Vandal Resistant 2.2 GPM Aerator & (2) 16"
 Flexible Stainless Steel Supply Hoses

Product Compliance:
 ASME A112.18.1 / CSA B125.1
 NSF 61 - Section 9
 NSF 372 (Low Lead Content)
 ANSI A117.1 (ADA)



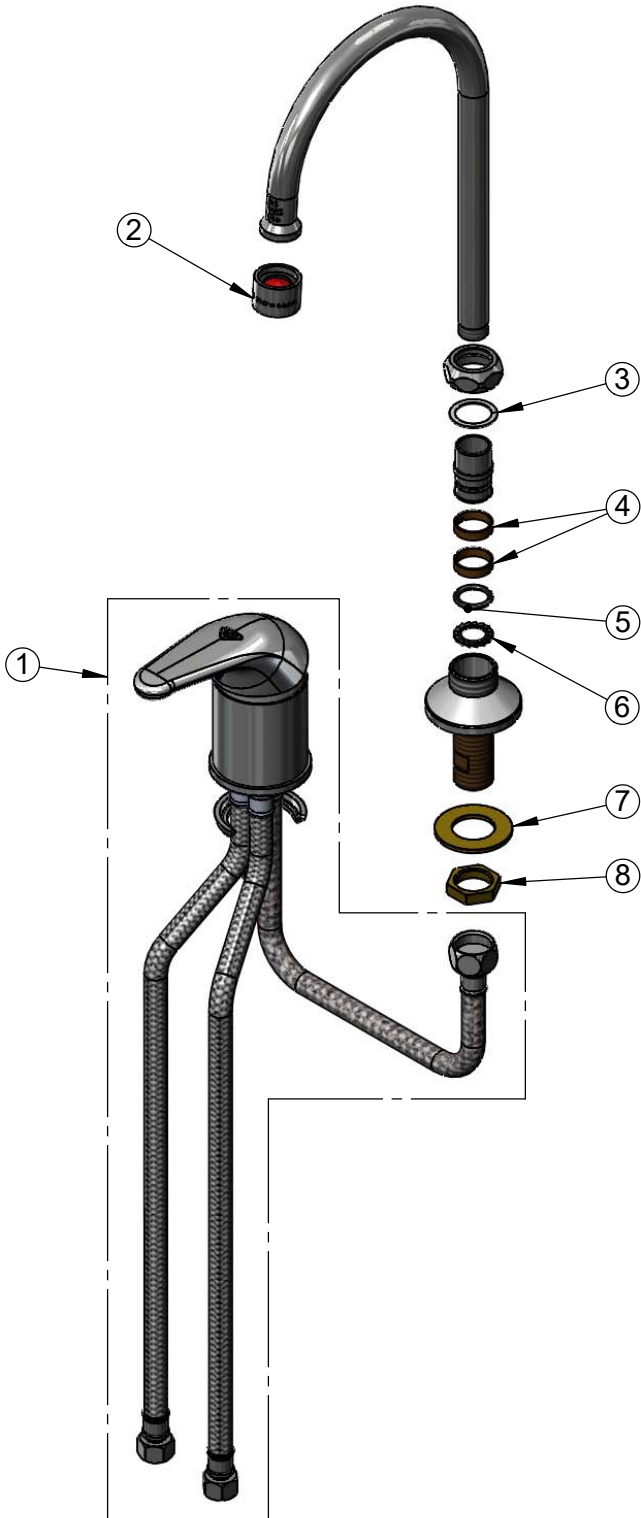
T&S BRASS AND BRONZE WORKS, INC.
 2 Saddleback Cove / P.O. Box 1088
 Travelers Rest, SC 29690

Model No.
BA-2742

Item No.

Travelers Rest, SC: 800-476-4103 • Simi Valley, CA: 800-423-0150 • Fax: 864-834-3518 • www.tsbrass.com

ITEM NO.	SALES NO.	DESCRIPTION
1	B-2740	Side Mount Single Lever Control Faucet
2	B-0199-06	VR 2.2 GPM Aerator, 55/64-27 Female
3	009538-45	Swivel Washer
4	011429-45	Swivel Sleeves (2)
5	001074-45	O-Ring
6	014200-45	Star Washer, Anti-Rotation
7	000999-45	Brass Lock Washer
8	002954-45	Shank Lock Nut



015425-45
 Vandal Resistant Key

Product Specifications:
 Single Lever Side Mount Remote On/Off Control Base Faucet, Ceramic Cartridge, Swivel Gooseneck, Vandal Resistant 2.2 GPM Aerator & (2) 16" Flexible Stainless Steel Supply Hoses

Product Compliance:
 ASME A112.18.1 / CSA B125.1
 NSF 61 - Section 9
 NSF 372 (Low Lead Content)
 ANSI A117.1 (ADA)