



T&S BRASS AND BRONZE WORKS, INC.

2 Saddleback Cove / P.O. Box 1088
Travelers Rest, SC 29690



REG. #A2601
ISO #9001

Model No.

BA-2710

Item No.

Travelers Rest, SC: 800-476-4103 Simi Valley, CA: 800-423-0150 Fax: 864-834-3518 www.tsbrass.com

This Space for Architect/Engineer Approval

Job Name _____ Date _____

Model Specified _____ Quantity _____

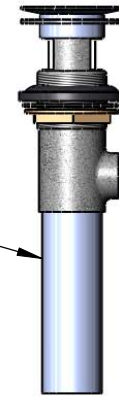
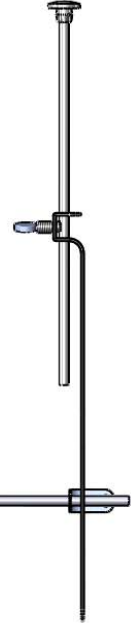
Customer/Wholesaler _____

Contractor _____

Architect/Engineer _____



ADA Compliant



B-0898 Pop-up Assembly

2.2 GPM Aerator

6 7/8"
[175mm]

4 7/8"
[125mm]

2 1/4"
[57mm]

1"
[25mm]
Max. Thickness

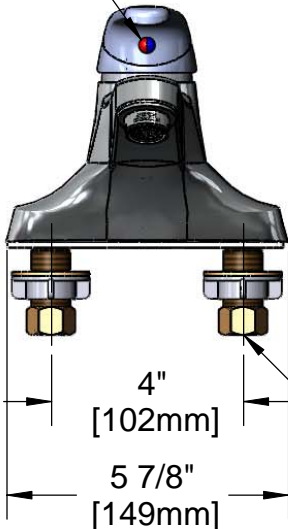
Deck Gasket

2 1/2"
[63mm]

1/2" NPSM Male
Inlets w/ Coupling Nuts
(Rough-in: \varnothing 1" [25mm])

4 5/16"
[110mm]

Removable Index for
Handle Screw Access



4"
[102mm]

5 7/8"
[149mm]

Note: Faucet contains Temperature Limit Adjustment.
Access by removing handle and reposition stop for
higher or lower maximum temperature.

Product Specifications:

4" Centerset Single Lever Faucet with 1/2" NPSM Male Inlets,
Pop-up Drain, Temperature Limit Stop & Ceramic Cartridge

Drawn

DMH

Scale:

1:4

Checked

JRM

Approved

JHB

Date:

12/18/09



T&S BRASS AND BRONZE WORKS, INC.

2 Saddleback Cove / P.O. Box 1088
Travelers Rest, SC 29690



REG. #A2601
ISO #9001

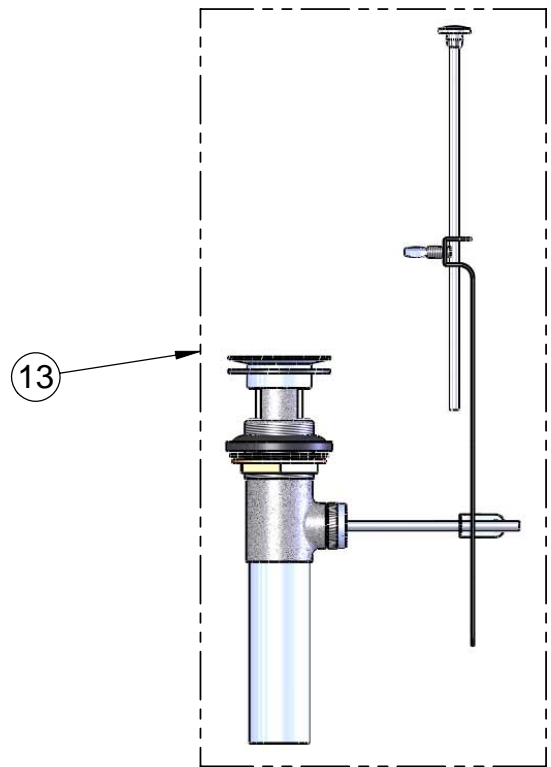
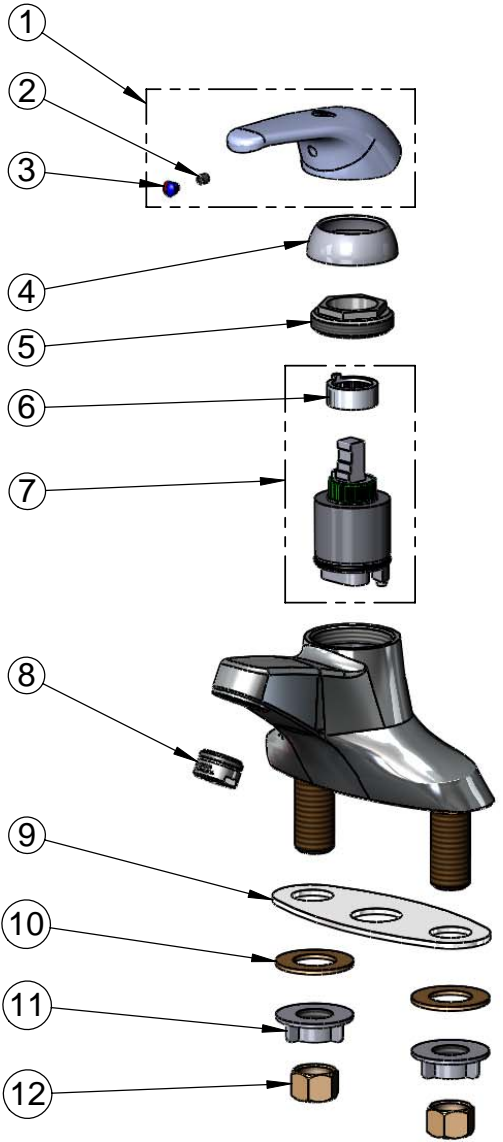
Model No.

BA-2710

Item No.

Travelers Rest, SC: 800-476-4103 Simi Valley, CA: 800-423-0150 Fax: 864-834-3518 www.tsbrass.com

ITEM NO.	SALES NO.	DESCRIPTION
1	013113-45	B-2710 Handle, Single Lever
2	016675-45	Set Screw
3	014173-45	Index, Temperature
4	016661-45	Trim Ring
5	016663-45	Locking Nut
6	015400-45	Limit Switch
7	013111-45	Single Lever Cartridge Assembly
8	016671-45	2.2 GPM Aerator
9	014167-45	Deck Gasket
10	000999-45	Brass Lock Washer
11	016673-45	Shank Nut
12	000958-20	Coupling Nut
13	B-0898	Pop-Up Assembly



Product Specifications:

4" Centerset Single Lever Faucet with 1/2" NPSM Male Inlets, Pop-up Drain, Temperature Limit Stop & Ceramic Cartridge

Drawn DMH	Checked JRM	Approved JHB
Scale: 1:4		Date: 12/18/09