



# T&S BRASS AND BRONZE WORKS, INC.

2 Saddleback Cove / P.O. Box 1088  
Travelers Rest, SC 29690

Model No.

**BA-2710-VF05**

Item No.

Travelers Rest, SC: 800-476-4103 • Simi Valley, CA: 800-423-0150 • Fax: 864-834-3518 • www.tsbrass.com

This Space for Architect/Engineer Approval

Job Name \_\_\_\_\_ Date \_\_\_\_\_

Model Specified \_\_\_\_\_ Quantity \_\_\_\_\_

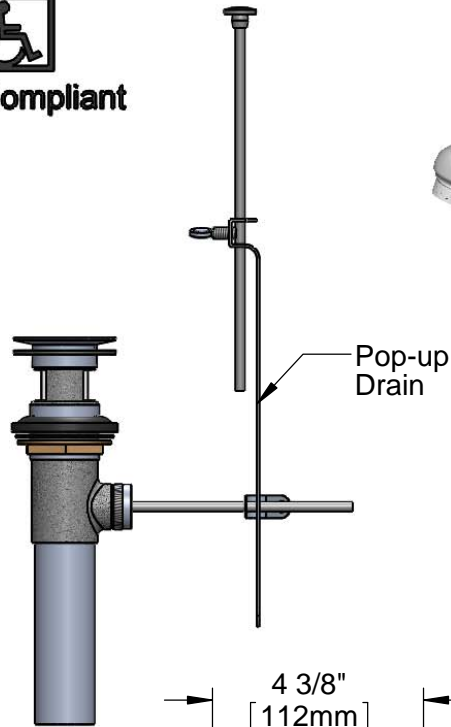
Customer/Wholesaler \_\_\_\_\_

Contractor \_\_\_\_\_

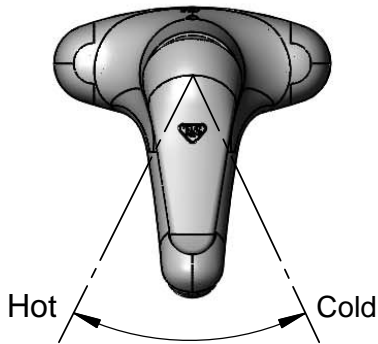
Architect/Engineer \_\_\_\_\_



**ADA Compliant**



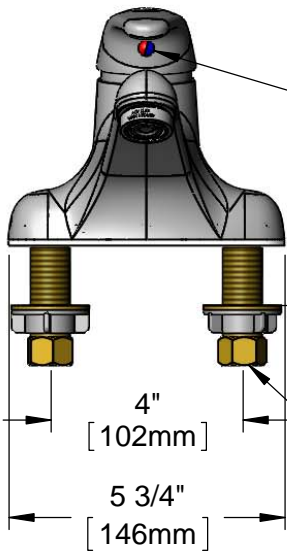
Pop-up  
Drain



Hot Cold

**B-0199-09-N05**  
0.5 GPM Vandal Resistant  
Non-Aerated Spray Device

Removeable Index  
for Access to Handle  
Fastening Screw



1 3/8"  
[35mm]  
Maximum  
Thickness

1/2" NPSM Male  
Inlets w/ Coupling  
Nuts

4"  
[102mm]

5 3/4"  
[146mm]

2 1/4"  
[57mm]

4 3/8"  
[112mm]

6 1/2"  
[165mm]  
Full "ON"

4 13/16"  
[122mm]  
"OFF"

2 5/16"  
[59mm]

**Rough-In Requirement:**  
(2)  $\phi$  1" [25mm] Mounting Holes

**Product Specifications:**

4" Centerset Single Lever Faucet, Temperature Limit Stop, Ceramic Cartridge, 0.5 GPM Vandal Resistant Non-Aerated Spray Device, Pop-up Drain & 1/2" NPSM Male Inlets

**Product Compliance:**

ASME A112.18.1 / CSA B125.1  
NSF 61 - Section 9  
NSF 372 (Low Lead Content)  
ANSI A117.1 (ADA)

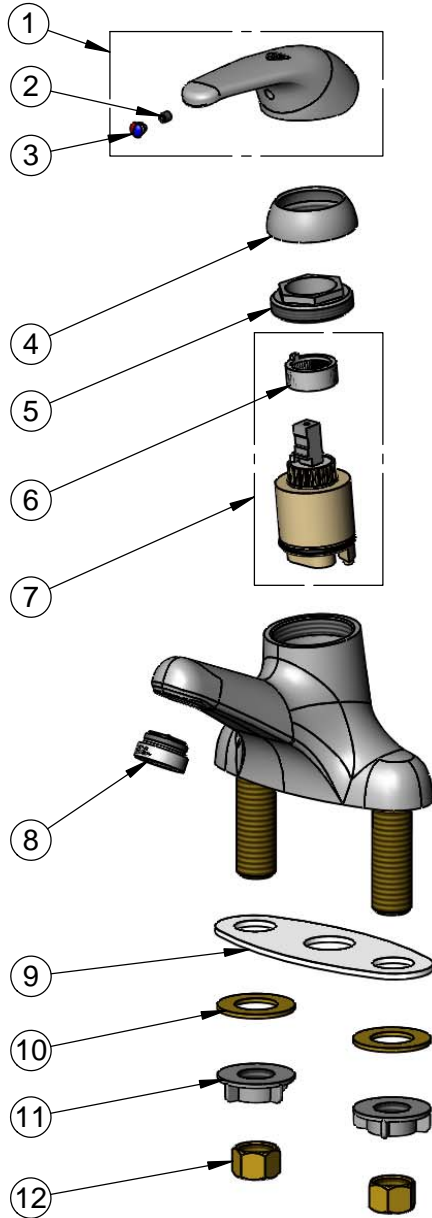


**T&S BRASS AND BRONZE WORKS, INC.**  
 2 Saddleback Cove / P.O. Box 1088  
 Travelers Rest, SC 29690

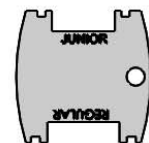
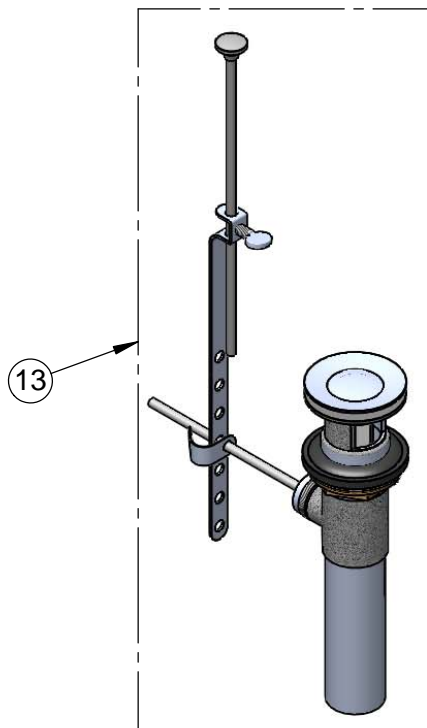
Model No.  
**BA-2710-VF05**

Item No.

Travelers Rest, SC: 800-476-4103 • Simi Valley, CA: 800-423-0150 • Fax: 864-834-3518 • www.tsbrass.com



ITEM NO.	SALES NO.	DESCRIPTION
1	013113-45	Handle, Single lever
2	016675-45	Set Screw
3	014173-45	Index, Temperature
4	016661-45	Trim Ring
5	016663-45	Locking Nut
6	015400-45	Temperature Limit Stop
7	013111-45	Single Lever Cartridge Assembly
8	B-0199-09-N05	VR 0.5 GPM Non-Aerated Spray Device, 15/16-27 UN Male w/ Key
9	014167-45	Deck Gasket
10	000999-45	Brass Lock Washer
11	016673-45	Shank Nut
12	000958-20	Coupling Nut
13	B-0898	Pop-Up Assembly



**015425-45**  
 Vandal Resistant Key  
 (Included w/ Spray Device)

**Product Specifications:**

4" Centerset Single Lever Faucet, Temperature Limit Stop, Ceramic Cartridge, 0.5 GPM Vandal Resistant Non-Aerated Spray Device, Pop-up Drain & 1/2" NPSM Male Inlets

**Product Compliance:**

ASME A112.18.1 / CSA B125.1  
 NSF 61 - Section 9  
 NSF 372 (Low Lead Content)  
 ANSI A117.1 (ADA)