



T&S BRASS AND BRONZE WORKS, INC.

2 Saddleback Cove / P.O. Box 1088
Travelers Rest, SC 29690

Model No.

B-WFK

Item No.

Travelers Rest, SC: 800-476-4103 • Simi Valley, CA: 800-423-0150 • Fax: 864-834-3518 • www.tsbrass.com

This Space for Architect/Engineer Approval

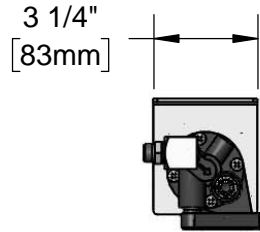
Job Name _____ Date _____

Model Specified _____ Quantity _____

Customer/Wholesaler _____

Contractor _____

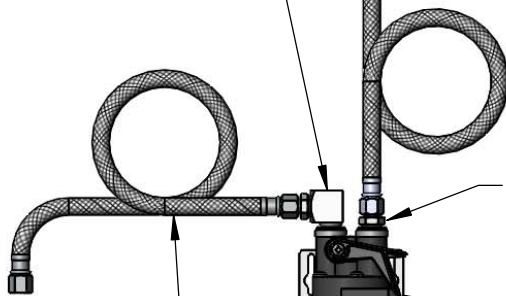
Architect/Engineer _____



1/2" NPSM Swivel Outlet

3/8" NPT Street Elbow

3/8" Compression x 1/2" NPSM x 18" [457mm] Long Connector Hose



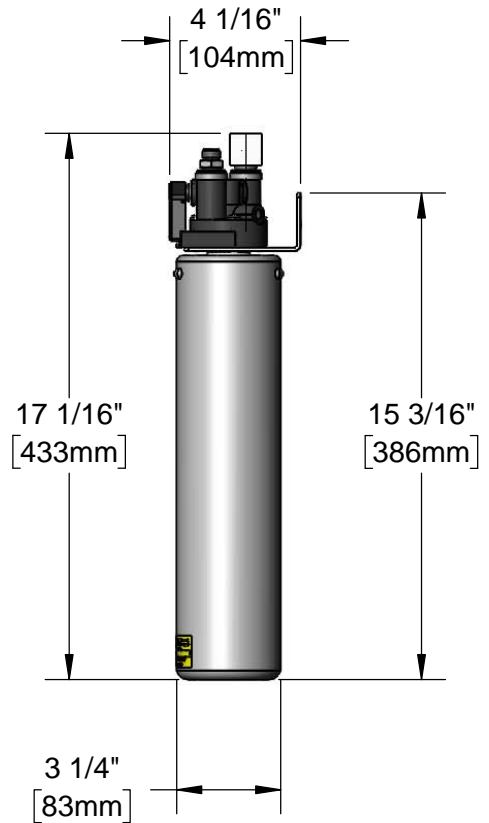
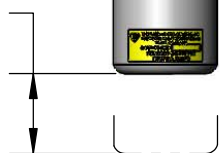
3/8" Compression x 3/8" NPT Adapters

Docking Station w/ Shut-off Lever

3/8" Compression 20" [508mm] Long Inlet Hose

Replaceable Filter Cartridge (15,000 Gallon Rated Service Life)

Allow for 2 1/2" [64mm] Clearance Below for Cartridge Removal



Product Specifications:
Water Filtration Kit w/ Docking Station, Filter Cartridge, Fittings & Braided Stainless Steel Hoses

Product Compliance:
NSF 61 - Section 9
NSF 372 (Low Lead Content)
NSF/ANSI 42 and 53



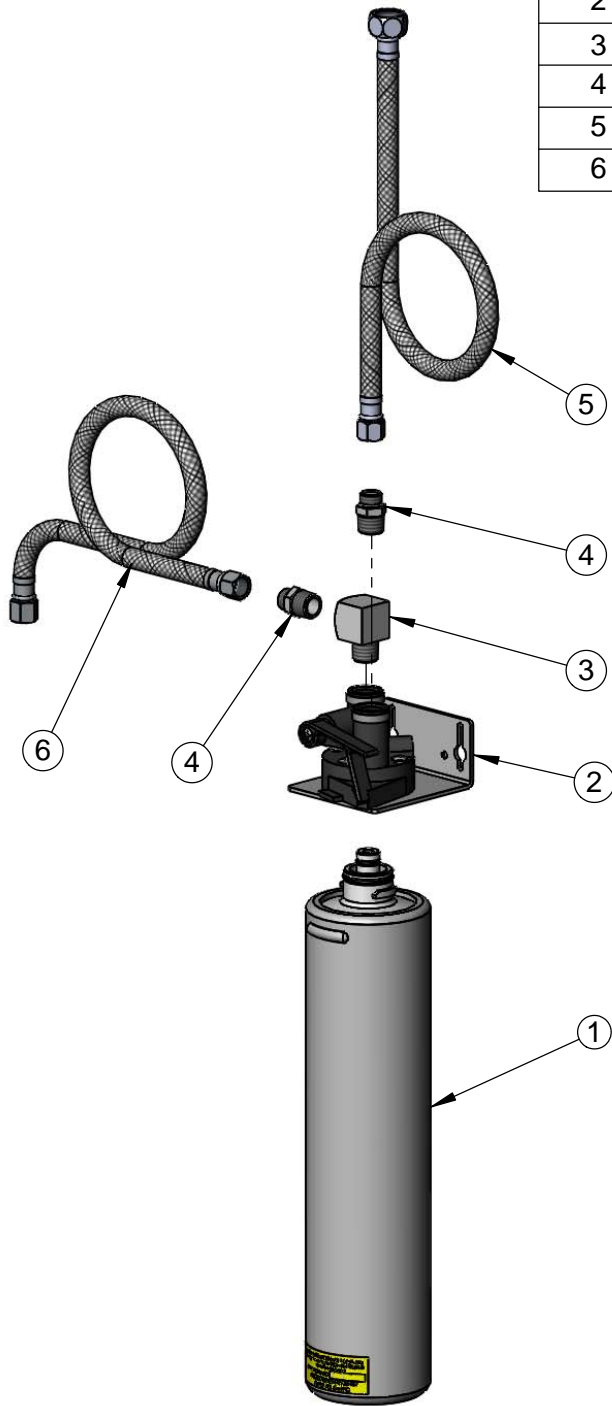
T&S BRASS AND BRONZE WORKS, INC.
 2 Saddleback Cove / P.O. Box 1088
 Travelers Rest, SC 29690

Model No.
B-WFK

Item No.

Travelers Rest, SC: 800-476-4103 • Simi Valley, CA: 800-423-0150 • Fax: 864-834-3518 • www.tsbrass.com

ITEM NO.	SALES NO.	DESCRIPTION
1	B-WFC	Filter Cartridge
2	B-WFDS	Water Filter Docking Station
3	148X	3/8 Street Elbow
4	006101-45	Adapter, 3/8" NPT x 9/16"-24 UN Male
5	5EF-0005	Supply Hose, 9/16-24 Female x 1/2" NPSM
6	013146-45	Supply Hose, 9/16-24 Fem (3/8" Comp)



Product Specifications:
 Water Filtration Kit w/ Docking Station, Filter Cartridge, Fittings & Braided Stainless Steel Hoses

Product Compliance:
 NSF 61 - Section 9
 NSF 372 (Low Lead Content)
 NSF/ANSI 42 and 53