



T&S BRASS AND BRONZE WORKS, INC.

2 Saddleback Cove / P.O. Box 1088
Travelers Rest, SC 29690

Model No.

B-7245

Item No.

Travelers Rest, SC: 800-476-4103 • Simi Valley, CA: 800-423-0150 • Fax: 864-834-3518 • www.tsbrass.com

This Space for Architect/Engineer Approval

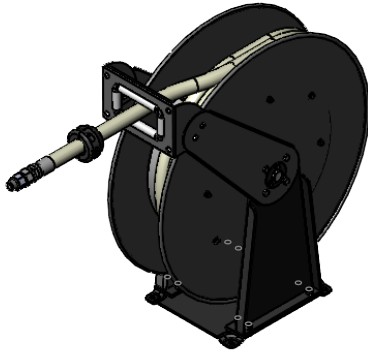
Job Name _____ Date _____

Model Specified _____ Quantity _____

Customer/Wholesaler _____

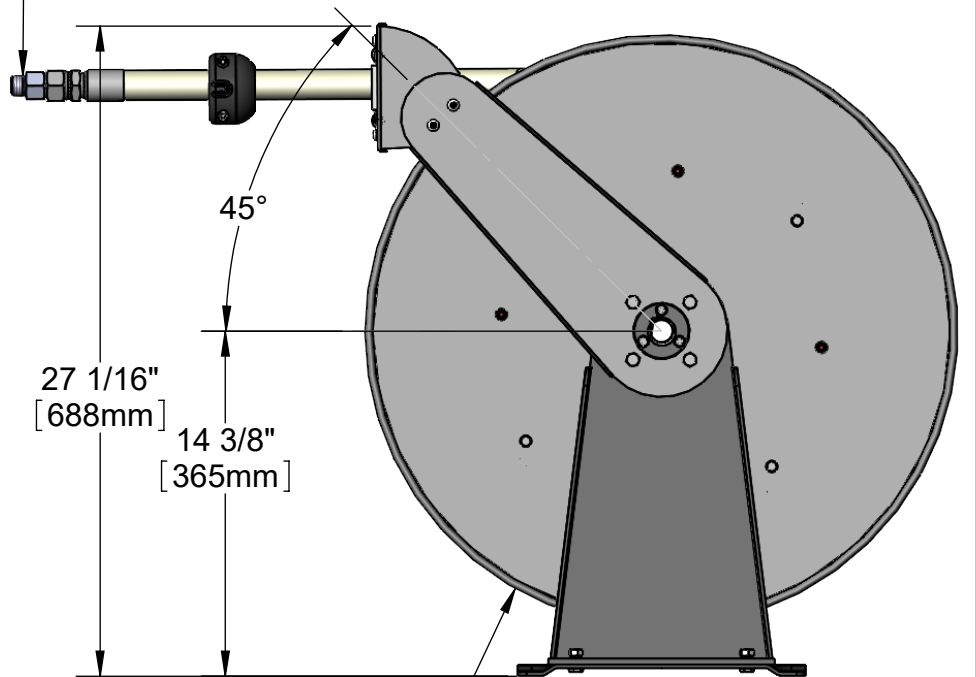
Contractor _____

Architect/Engineer _____



1/2" NPT
Male Outlet

3/4" NPT
Female
Inlet



3/4" x 50'
Hose Not
Shown

5 5/8"
[143mm]

Ø 24 1/2"
[622mm]

12"
[305mm]

11"
[279mm]

Ø 1/2"
[12mm]

10 5/16"
[262mm]

9 5/16"
[237mm]

Product Specifications:
Epoxy Coated Open Hose Reel w/ 3/4" x 50' Creamery
Hose & Double Arm Support

Product Compliance:
NSF 61 Exempt (Non-Potable)



T&S BRASS AND BRONZE WORKS, INC.

2 Saddleback Cove / P.O. Box 1088
Travelers Rest, SC 29690

Model No.

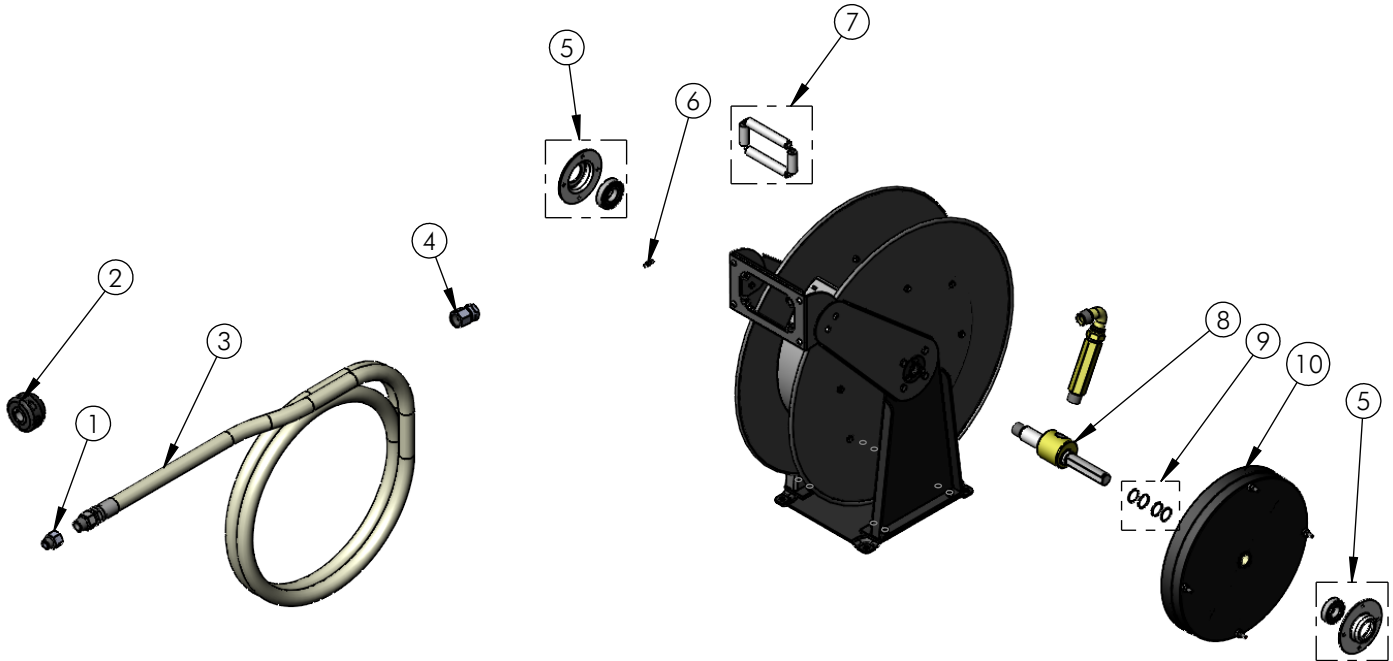
B-7245

Item No.

Travelers Rest, SC: 800-476-4103 • Simi Valley, CA: 800-423-0150 • Fax: 864-834-3518 • www.tsbrass.com

ITEM NO.	SALES NO.	DESCRIPTION
1	006112-25	Adapter, 3/4" NPT Female x 1/2" NPT Male
2	014930-45	Hose Stop Repair Kit
3	004980-40	50' of 3/4" Creamery Hose
4	015713-45	Swivel Connector, 3/4" NPT Female x 3/4" NPT Female
5	014923-45	Bearing Repair Kit
6	014926-45	Ratchet Spring Repair Kit
7	014925-45	Roller Guide Kit
8	014928-45	Swivel Repair Kit
9	014929-45	O-Ring Repair Kit
* 10	021137-45	∅ 14" Spring Repair Kit

* For Hose Reels Manufactured Before May 2021,
Please Order [014924-45](#) - ∅ 12" Spring Repair Kit



Product Specifications:
Epoxy Coated Open Hose Reel w/ 3/4" x 50' Creamery
Hose & Double Arm Support

Product Compliance:
NSF 61 Exempt (Non-Potable)