



# T&S BRASS AND BRONZE WORKS, INC.

2 Saddleback Cove / P.O. Box 1088  
Travelers Rest, SC 29690

Model No.

**B-7245-07**

Item No.

Travelers Rest, SC: 800-476-4103 • Simi Valley, CA: 800-423-0150 • Fax: 864-834-3518 • www.tsbrass.com

This Space for Architect/Engineer Approval

Job Name \_\_\_\_\_ Date \_\_\_\_\_

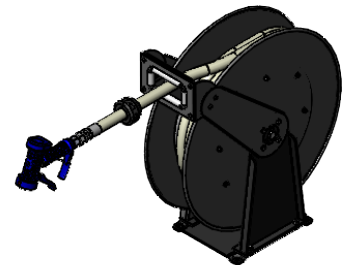
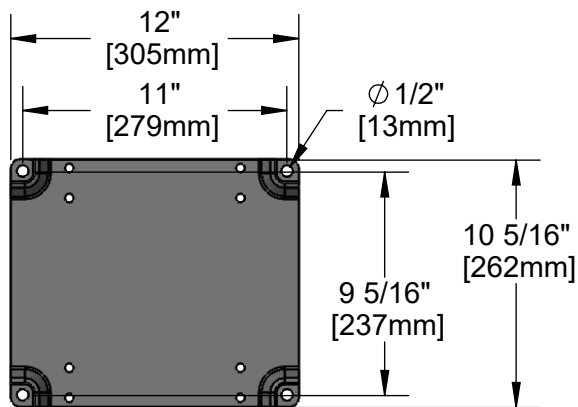
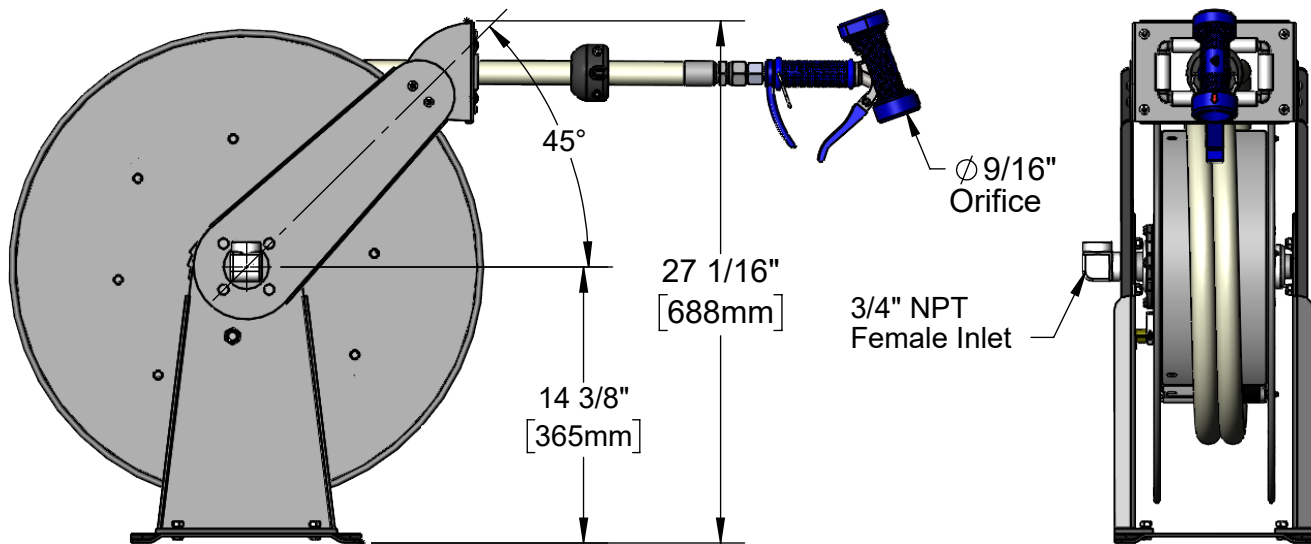
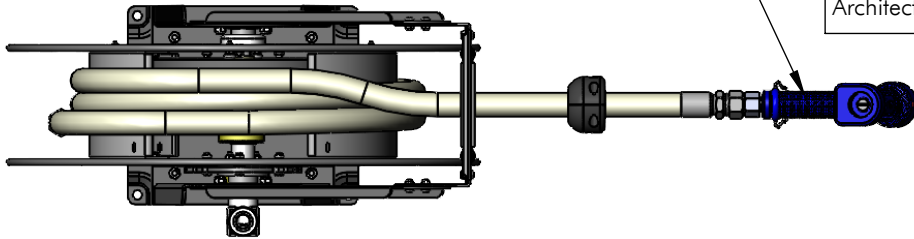
Model Specified \_\_\_\_\_ Quantity \_\_\_\_\_

Customer/Wholesaler \_\_\_\_\_

Contractor \_\_\_\_\_

Architect/Engineer \_\_\_\_\_

**MV-2522-44**  
Front Trigger Water Gun  
w/ Stainless Steel Body &  
Royal Blue Rubber Cover



**Product Specifications:**

Epoxy Coated Open Hose Reel w/ 3/4" x 50' Creamery Hose, **MV-2522-44**  
Front Trigger Water Gun & Double Arm Support

**Product Compliance:**

NSF 61 Exempt (Non-Potable)  
2019 DOE PRSV Non-Compliant



# T&S BRASS AND BRONZE WORKS, INC.

2 Saddleback Cove / P.O. Box 1088  
Travelers Rest, SC 29690

Model No.

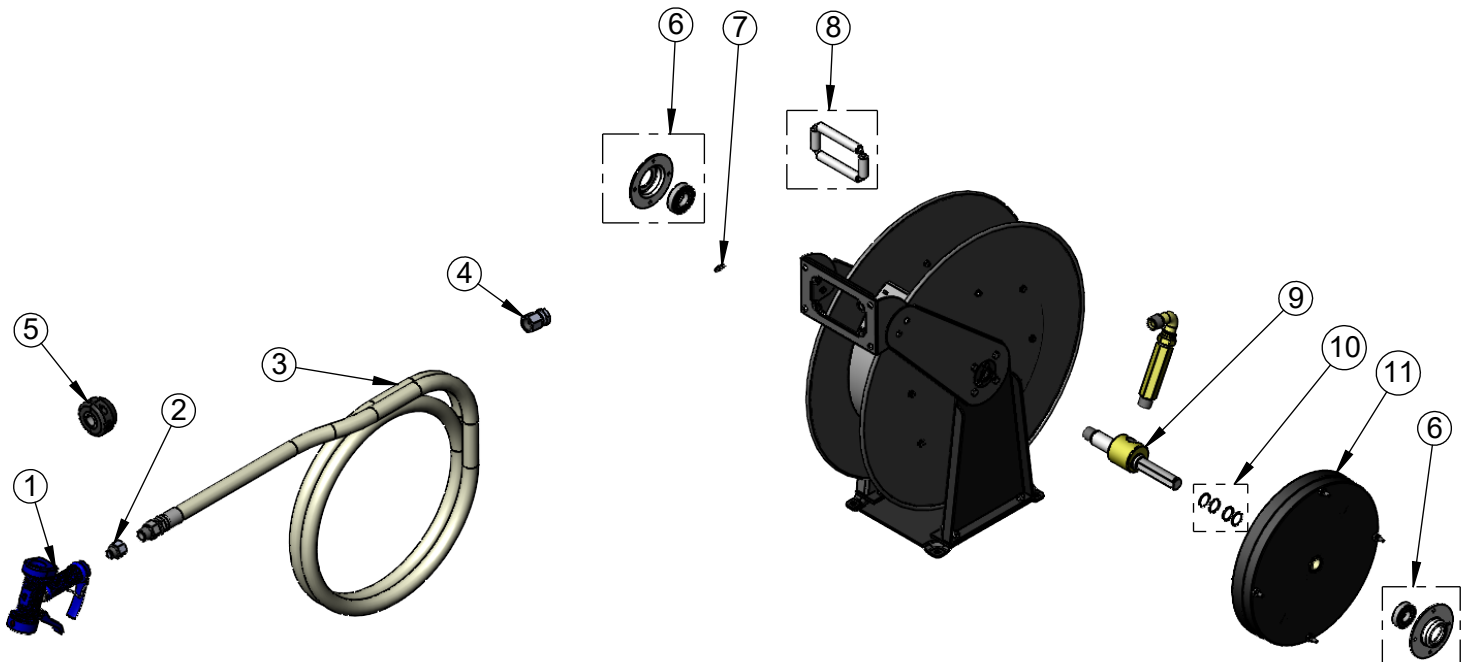
**B-7245-07**

Item No.

Travelers Rest, SC: 800-476-4103 • Simi Valley, CA: 800-423-0150 • Fax: 864-834-3518 • www.tsbrass.com

ITEM NO.	SALES NO.	DESCRIPTION
1	<a href="#">MV-2522-44</a>	Front Trigger Water Gun, 9/16 Orifice
2	<a href="#">006112-25</a>	Adapter, 3/4" NPT Female x 1/2" NPT Male
3	<a href="#">004980-40</a>	50' of 3/4" Creamery Hose
4	<a href="#">015713-45</a>	Swivel Connector, 3/4" NPT Female x 3/4" NPT Female
5	<a href="#">014930-45</a>	Hose Stop Repair Kit
6	<a href="#">014923-45</a>	Bearing Repair Kit
7	<a href="#">014926-45</a>	Ratchet Spring repair kit
8	<a href="#">014925-45</a>	Roller Guide Kit
9	<a href="#">014928-45</a>	Swivel Repair Kit
10	<a href="#">014929-45</a>	O-Ring Repair Kit
* 11	021137-45	∅ 14" Spring Repair Kit

\* For Hose Reels Manufactured Before May 2021,  
Please Order [014924-45](#) - ∅ 12" Spring Repair Kit



**Product Specifications:**

Epoxy Coated Open Hose Reel w/ 3/4" x 50' Creamery Hose, [MV-2522-44](#)  
Front Trigger Water Gun & Double Arm Support

**Product Compliance:**

NSF 61 Exempt (Non-Potable)  
2019 DOE PRSV Non-Compliant