



# T&S BRASS AND BRONZE WORKS, INC.

2 Saddleback Cove / P.O. Box 1088  
Travelers Rest, SC 29690

Model No.

**B-7245-06**

Item No.

Travelers Rest, SC: 800-476-4103 • Simi Valley, CA: 800-423-0150 • Fax: 864-834-3518 • www.tsbrass.com

This Space for Architect/Engineer Approval

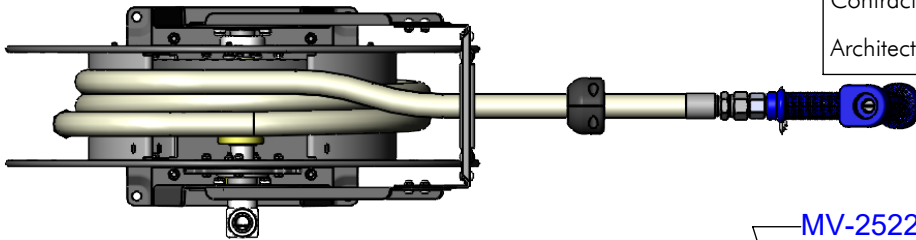
Job Name \_\_\_\_\_ Date \_\_\_\_\_

Model Specified \_\_\_\_\_ Quantity \_\_\_\_\_

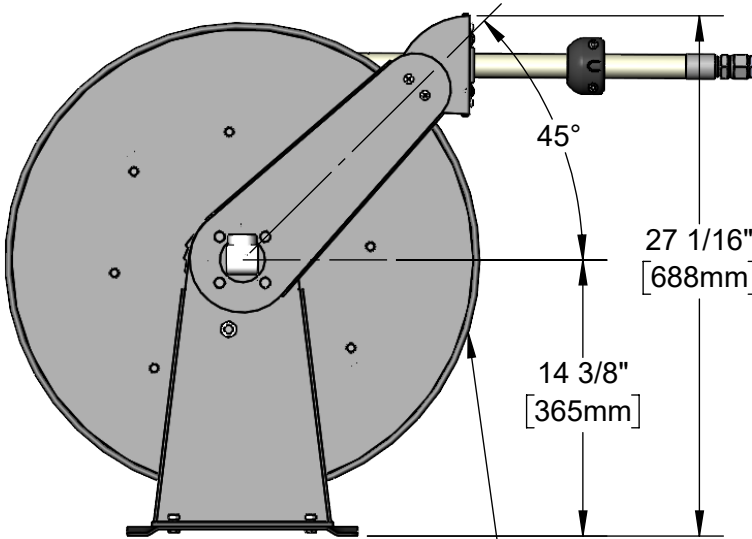
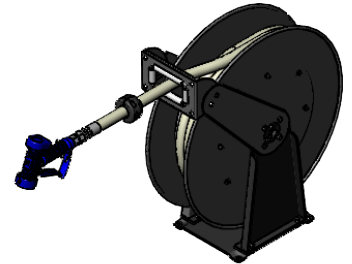
Customer/Wholesaler \_\_\_\_\_

Contractor \_\_\_\_\_

Architect/Engineer \_\_\_\_\_



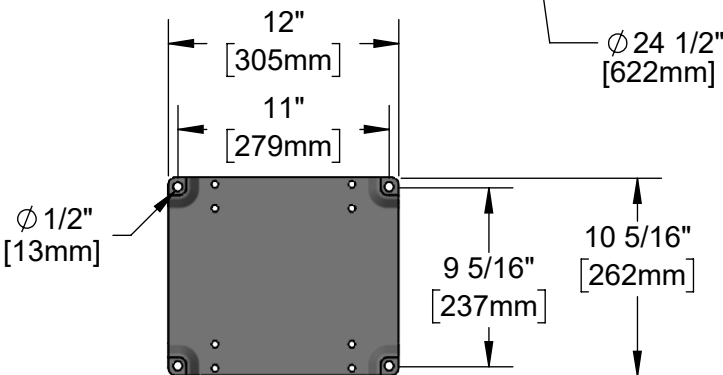
MV-2522-34  
Stainless Steel Front  
Trigger Water Gun w/  
7/16" Orifice



3/4" NPT  
Female  
Inlet

3/4" x 50'  
Hose

5 5/8"  
[143mm]



Product Specifications:  
3/4" x 50' Open Coated Reel, Creamery Hose, Stainless Steel  
Front Trigger Water Gun, 7/16" Orifice & Double Arm Support

Product Compliance:  
NSF 61 Exempt (Non-Potable)  
2019 DOE PRSV Non-Compliant



# T&S BRASS AND BRONZE WORKS, INC.

2 Saddleback Cove / P.O. Box 1088  
Travelers Rest, SC 29690

Model No.

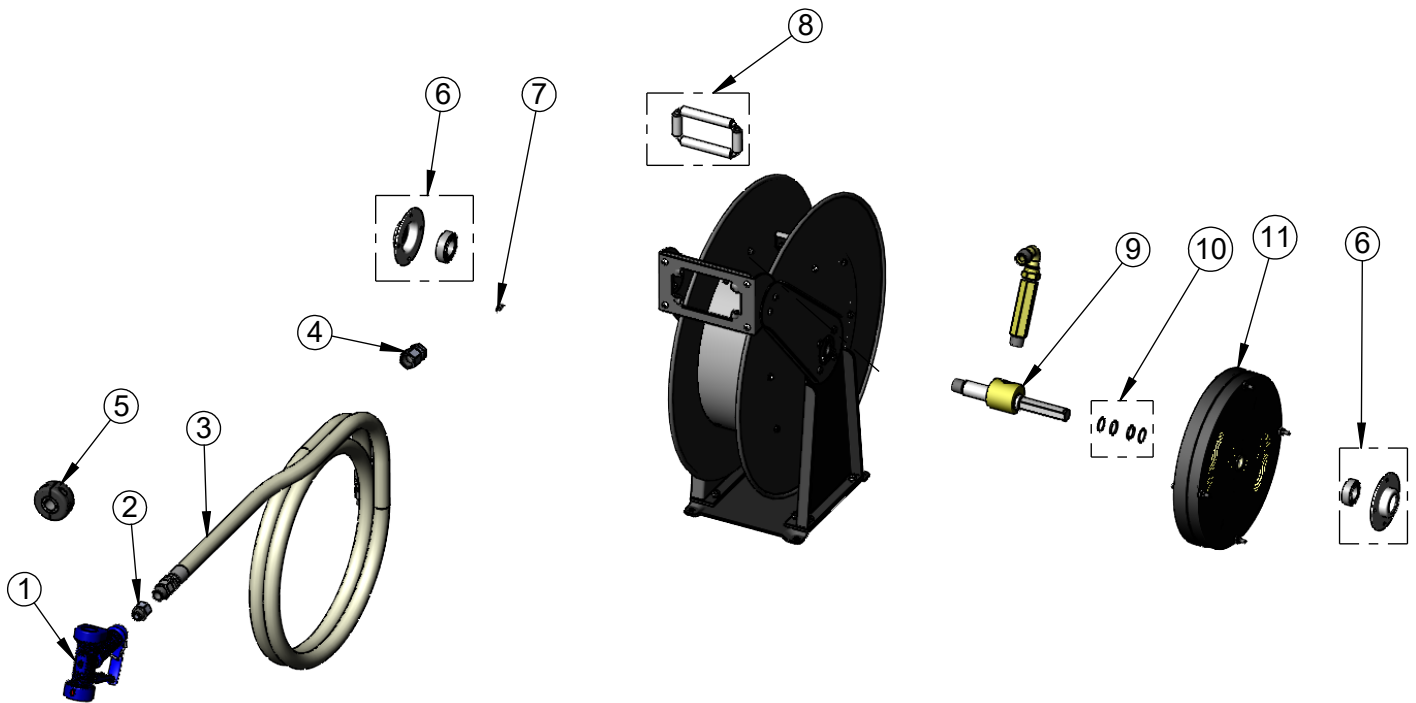
**B-7245-06**

Item No.

Travelers Rest, SC: 800-476-4103 • Simi Valley, CA: 800-423-0150 • Fax: 864-834-3518 • www.tsbrass.com

ITEM NO.	SALES NO.	DESCRIPTION
1	<a href="#">MV-2522-34</a>	Front Trigger Gun, 7/16" Orifice
2	<a href="#">006112-25</a>	Adapter, 3/4" NPT Female x 1/2" NPT Male
3	<a href="#">004980-40</a>	50' of 3/4" Creamery Hose
4	<a href="#">015713-45</a>	Swivel Connector, 3/4" NPT Female x 3/4" NPT Female
5	<a href="#">014930-45</a>	Hose Stop Repair Kit
6	<a href="#">014923-45</a>	Bearing Repair Kit
7	<a href="#">014926-45</a>	Ratchet Spring Repair Kit
8	<a href="#">014925-45</a>	Roller Guide Kit
9	<a href="#">014928-45</a>	Swivel Repair Kit
10	<a href="#">014929-45</a>	O-Ring Repair Kit
* 11	<a href="#">021137-45</a>	∅ 14" Spring Repair Kit

\* For Hose Reels Manufactured Before May 2021, Please Order [014924-45](#) - ∅ 12" Spring Repair Kit



Product Specifications:  
3/4" x 50' Open Coated Reel, Creamery Hose, Stainless Steel Front Trigger Water Gun, 7/16" Orifice & Double Arm Support

Product Compliance:  
NSF 61 Exempt (Non-Potable)  
2019 DOE PRSV Non-Compliant