



T&S BRASS AND BRONZE WORKS, INC.

2 Saddleback Cove / P.O. Box 1088
Travelers Rest, SC 29690

Model No.

B-7242-U10WS8BC

Item No.

Travelers Rest, SC: 800-476-4103 • Simi Valley, CA: 800-423-0150 • Fax: 864-834-3518 • www.tsbrass.com

This Space for Architect/Engineer Approval

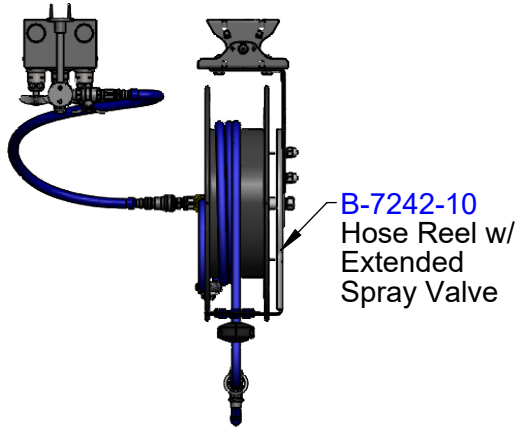
Job Name _____ Date _____

Model Specified _____ Quantity _____

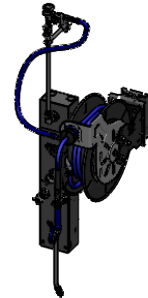
Customer/Wholesaler _____

Contractor _____

Architect/Engineer _____



B-7242-10
Hose Reel w/
Extended
Spray Valve



B-0109-01
6" Wall
Bracket

B-0963
Continuous Pressure
Vacuum Breaker w/
Integral Check Valve

3/8" NPT x 36"
Flexible Water
Connector

EasyInstall
3/8" NPT x 18" Riser

Stainless Steel
Quick Disconnect

Swivel Elbow w/
Ø2" [51mm] Flange,
1/2" NPT Female Inlet

019652-40
3/8" NPT
Live Swivel

EB-2322
High Flow
Extended
Spray Valve

4-Arm Handles &
Quarter-Turn Ceramas
w/ Check Valves

32"
[813mm]

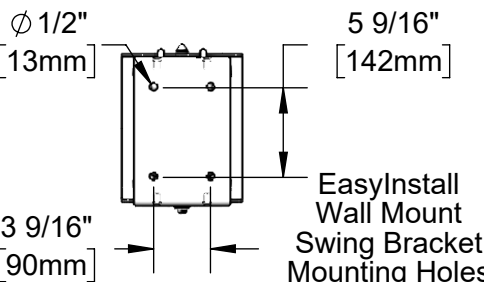
25"
[635mm]

1/2" NPT
Female
Union Inlets

6"
[152mm]

4"

[102mm]



Product Specifications:

Epoxy Coated Hose Reel w/ 50' Hose, High Flow Extended Spray Valve w/ Swivel, EasyInstall Surface Mount SS Hose Reel Cabinet w/ Mixing & Control Valve, 4-Arm Handles, Quarter-Turn Ceramas w/ Check Valves, Dual Check Valves, Inlets for Bottom Supplies, 100 Deg EasyInstall Stainless Steel Swing Bracket w/ Mounting Hardware & Hose Reel Connector Kit

Product Compliance:

NSF 61 Exempt (Non-Potable)
ASSE 1056 (VB)
2019 DOE PRSV Non-Compliant



T&S BRASS AND BRONZE WORKS, INC.

2 Saddleback Cove / P.O. Box 1088
Travelers Rest, SC 29690

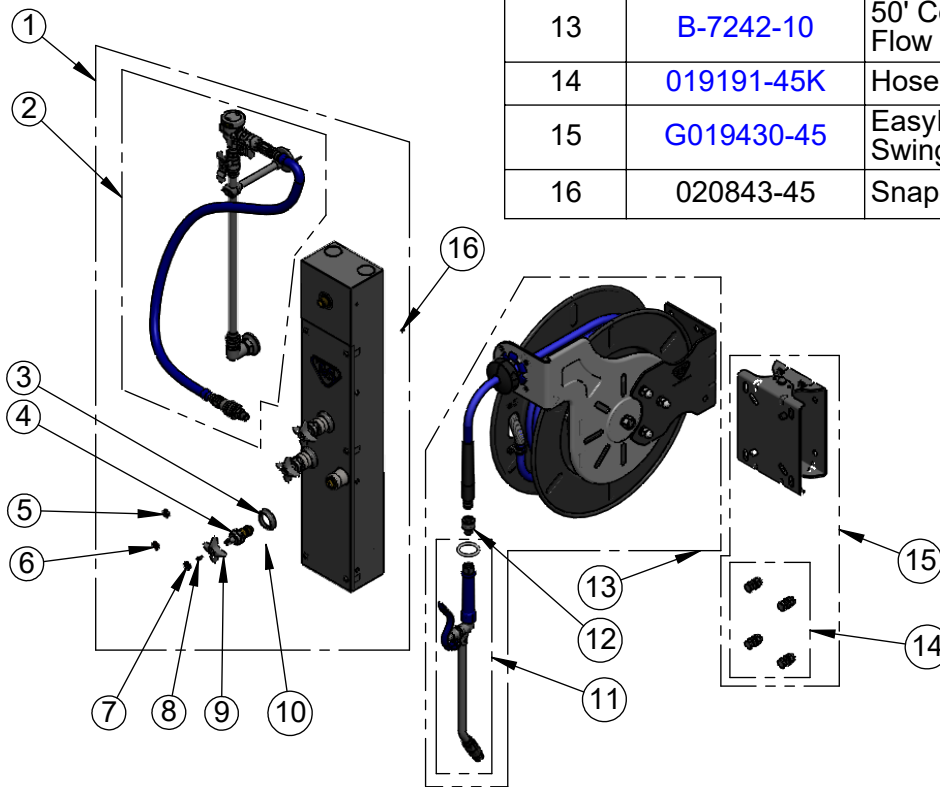
Model No.

B-7242-U10WS8BC

Item No.

Travelers Rest, SC: 800-476-4103 • Simi Valley, CA: 800-423-0150 • Fax: 864-834-3518 • www.tsbrass.com

| ITEM NO. | SALES NO. | DESCRIPTION |
|----------|---------------|--|
| 1 | B-1460-SMB-CR | EasyInstall Surface Mount Hose Reel Cabinet w/ Bottom Inlets & Ceramas |
| 2 | 0RK-SK | Hose Reel Connector Kit |
| 3 | 020839-40 | Narrow Slip Flange w/ Set Screw |
| 4 | 012394-25NS | Quarter-Turn Cerama Cartridge w/ Check Valve, RTC |
| 5 | 001205-19NS | White Button Index, Press-In |
| 6 | 001193-19NS | Red Button Index, Press-in |
| 7 | 018506-19NS | Blue Button Index, Press-in |
| 8 | 000925-45 | Lab Handle Screw |
| 9 | 002521-45NS | 4-Arm Handle (New Style) |
| 10 | 000939-45 | Escutcheon, Set Screw |
| 11 | EB-2322 | High Flow Extended Spray Valve, Blue |
| 12 | 019652-40 | 3/8" NPT Live Swivel |
| 13 | B-7242-10 | 50' Coated Open Hose Reel w/ High Flow Extended Spray Valve |
| 14 | 019191-45K | Hose Reel Mounting Kit |
| 15 | G019430-45 | EasyInstall Hose Reel Stainless Steel Swing Bracket |
| 16 | 020843-45 | Snap-In Plug, Nickel-Plated (Pack of 10) |



Product Specifications:

Epoxy Coated Hose Reel w/ 50' Hose, High Flow Extended Spray Valve w/ Swivel, EasyInstall Surface Mount SS Hose Reel Cabinet w/ Mixing & Control Valve, 4-Arm Handles, Quarter-Turn Ceramas w/ Check Valves, Dual Check Valves, Inlets for Bottom Supplies, 100 Deg EasyInstall Stainless Steel Swing Bracket w/ Mounting Hardware & Hose Reel Connector Kit

Product Compliance:

NSF 61 Exempt (Non-Potable)
ASSE 1056 (VB)
2019 DOE PRSV Non-Compliant