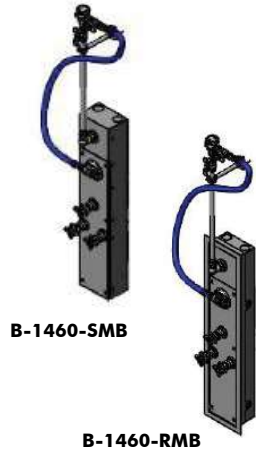


Installation and Maintenance Instructions

Easy Install HOSE REEL CABINET SERIES



B-1460-SMB

B-1460-RMB

Limited One Year Warranty (Commercial Applications)

T&S warrants to the original purchaser (other than for purposes of resale) that such product is free from defects in material and workmanship for a period of one (1) year from the date of purchase. During this one-year warranty period, if the product is found to be defective, T&S shall, at its option, repair and/or replace it. To obtain warranty service, products must be returned to....

T&S Brass and Bronze Works, Inc.
Attn: Warranty Repair Department
2 Saddleback Cove
Travelers Rest, SC 29690

Shipping, freight, insurance, and other transportation charges of the product to T&S and the return of repaired or replaced product to the purchaser are the responsibility of the purchaser. Repair and/or replacement shall be made within a reasonable time after receipt by T&S of the returned product. This warranty does not cover items which have received secondary finishing or have been altered or modified after purchase, or for defects caused by physical abuse to or misuse of the product, or shipment of the products.

Any express warranty not provided herein, and any remedy for Breach of Contract which might arise, is hereby excluded and disclaimed. Any implied warranties of merchantability or fitness for a particular purpose are limited to one year in duration. Under no circumstance shall T&S be liable for loss of use or any special consequential cost, expenses or damages.

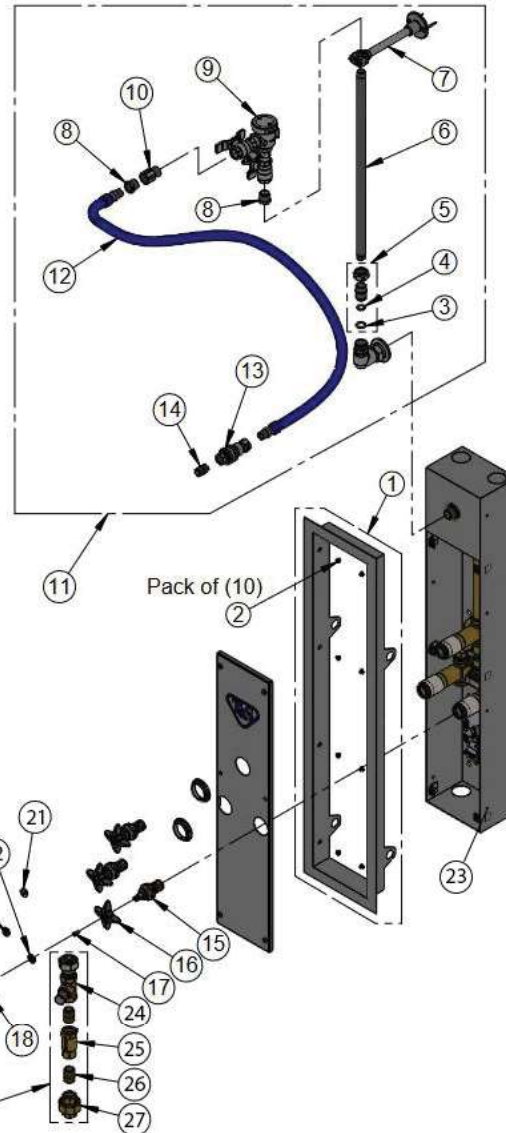
Some states do not allow limitations on how long an implied warranty lasts or the exclusion or limitation of incidental or consequential damages, so the above limitations or exclusions may not apply to you. Specific rights under this warranty and other rights vary from state to state.

Attention California Residents:

WARNING This product can expose you to chemicals including Lead, Chromium (hexavalent compounds) and Phthalates (DEHP) which are known to the State of California to cause cancer and birth defects or other reproductive harm.

For more information go to
www.P65Warnings.ca.gov.

P/N: 098-020941-45 Rev.1
DATE: 08-03-22
DRAWN: TED
CHECKED: JRM 08-15-22
APPROVED: JHB 10-05-22

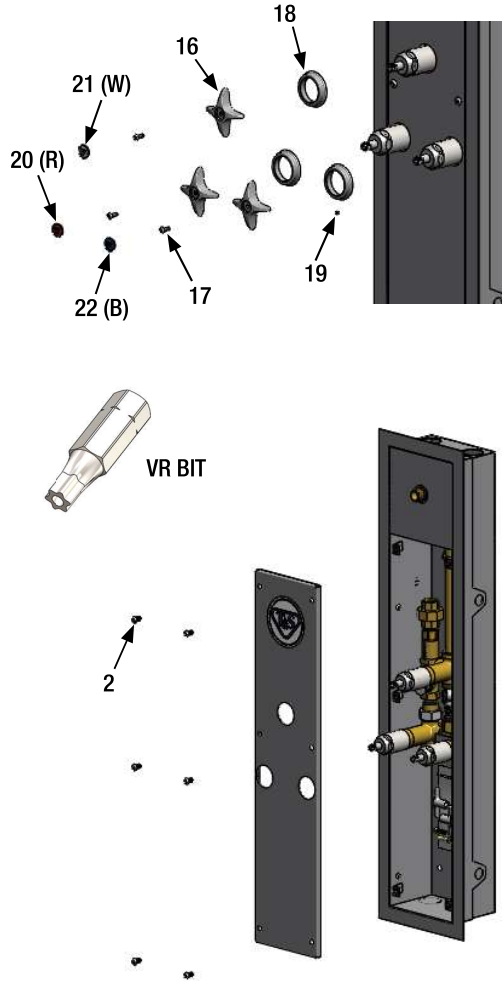


EasyInstall Hose Reel Cabinet Series

Recessed Mount Cabinet Assembly		
1	SS Hose Reel System Cabinet Flange Recessed Mount	020828-45
2	SS Flange Screws, 10-32 x 3/16 (qty 10)	020840-45
Surface Mount Cabinet Assembly		
3	Lock Washer	014200-45
4	O-Ring	001065-45
5	EasyInstall Kit: Nut, Bushing, O-Ring & Lock Washer	EZ-K
6	3/8" NPT x 18" Riser	000369-40
7	6" Wall Bracket	B-0109-01
8	Hex Bushing, 1/2" NPT Male x 3/8" NPT Female	001359-40
9	Vacuum Breaker 1/2" NPT Female	B-0963
10	Check Valve with 1/2" NPT Adapter	015073-40
11	Hose Reel Connector Kit	ORK-SK
12	3/8" NPT x 36" Flexible Connector Hose	HW-2B-36
13	3/8" NPT Quick Disconnect	AW-5B
14	3/8" NPT Close Nipple	002535-25
15	Quarter-Turn Eterna w/ Spring Check, RTC (new style)	012443-40NS
	Quarter-Turn Cerama w/ Check Valve, RTC (new style)	012394-25NS
16	4-Arm Handle (new style)	002521-45NS
17	Lab Handle Screw	000925-45
18	Escutcheon	020839-40
19	Escutcheon, Set Screw	000939-45
20	Red Button Index, Press In	001193-19NS
21	White Blank Button Index	001205-19NS
22	Blue Button Index, Press In	018506-19NS
23	Snap-In Plug, Nickel Plated (qty 10) (for surface mount only)	020843-45
24	Straight Loose Key Stop, Unplated	020848-20
25	1/2" NPT Female Check Valve	B-CVH1-2
26	Nipple, Close 1/2" NPT	002534-20
27	1/2" Union, Unplated	006649-20
28	Inlet Assembly	020974-40

STEP A:

1. Remove two screws on door with VR bit.
2. Set door carefully to the side.
3. Determine install method. Proceed using **Step B** or **C**.

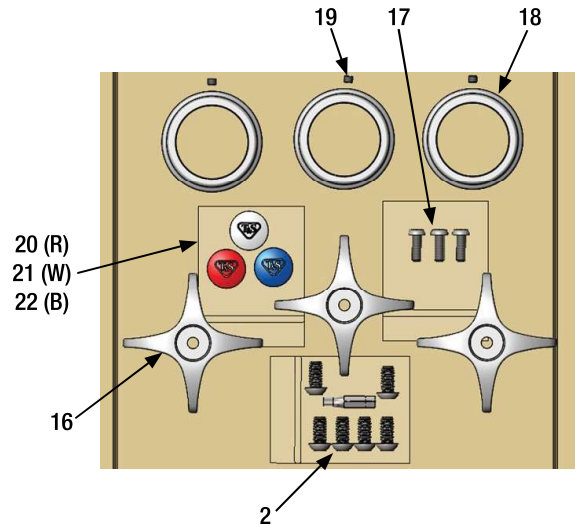
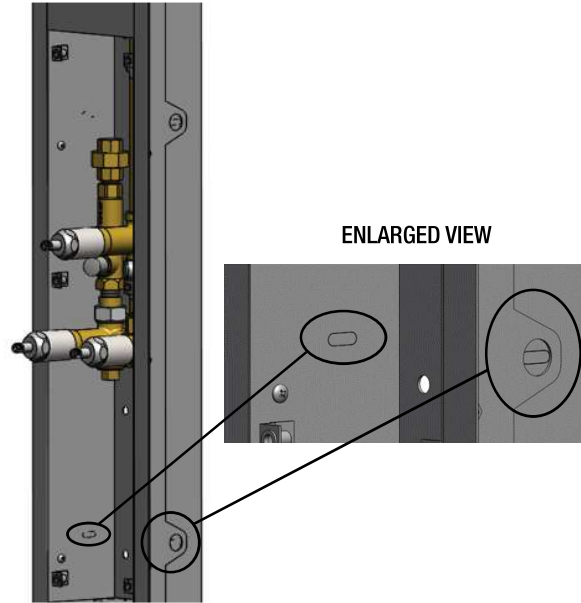


STEP D:

1. Place door on and tighten 6 screws.
2. Place slip flanges on flush against door. Tighten set screw.
3. Place handles, screw and indexes on cartridge spindles.

STEP B: FOR RECESSED MOUNT MODELS

1. Punchout oval side wall tabs (2 per side).
2. Use the side oval holes and screw cabinet into appropriate supports with appropriate fasteners.
3. Finish assembly of ORK-SK & hose reel.
4. Connect inlet supplies and check for leaks.
5. Perform **STEP D** to finish assembly.



STEP C: FOR SURFACE MOUNT MODELS

1. Using 6 of the 8 holes, use appropriate fasteners & washers to mount to wall. Two of the middle set of holes will be blocked depending on bottom or top inlet supplies.
2. Finish assembly of ORK-SK & hose reel.
3. Connect inlet supplies and check for leaks.
4. Perform **STEP D** to finish assembly.

