



T&S BRASS AND BRONZE WORKS, INC.
 2 Saddleback Cove / P.O. Box 1088
 Travelers Rest, SC 29690

Model No.
B-7242-C02

Item No.

Travelers Rest, SC: 800-476-4103 • Simi Valley, CA: 800-423-0150 • Fax: 864-834-3518 • www.tsbrass.com

This Space for Architect/Engineer Approval

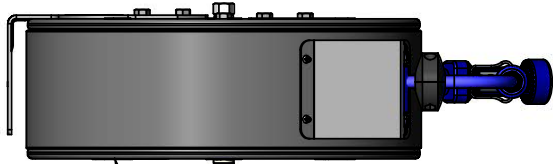
Job Name _____ Date _____

Model Specified _____ Quantity _____

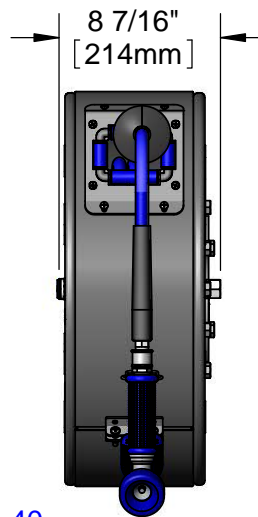
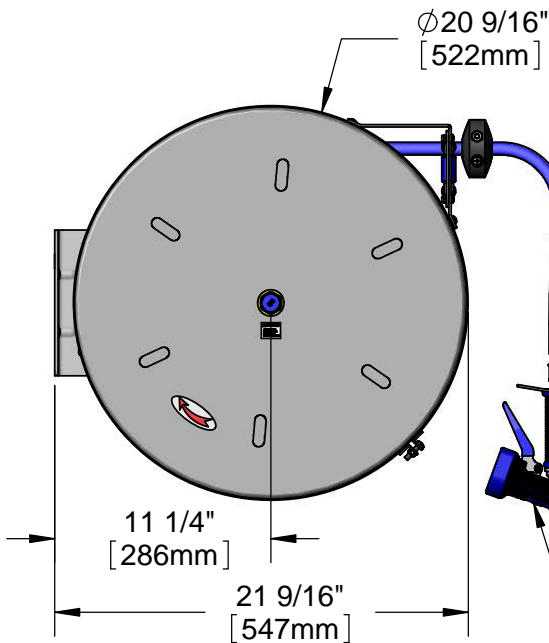
Customer/Wholesaler _____

Contractor _____

Architect/Engineer _____



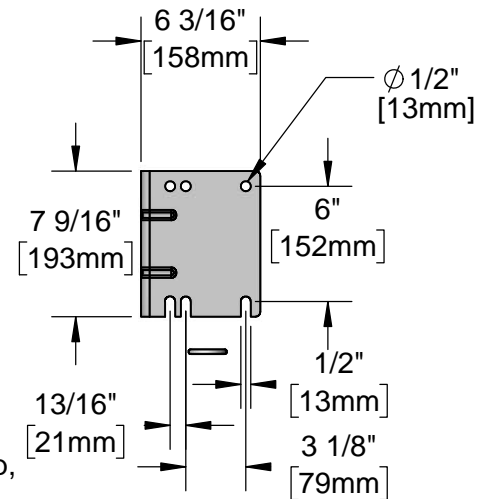
3/8" NPT Female Inlet (Left Side of Reel)
 Enclosed Coated Hose Reel; 50 Ft. of 3/8" Hose



019652-40
 3/8" NPT Live Swivel

MV-2516-24 Rear Trigger Style Gun w/ Hold Down Clip, Stainless Steel Body and Royal Blue Rubber Cover.

Mounting Hole Details



Product Specifications:
 3/8" x 50 Ft. Enclosed Coated Reel, w/ Rear Trigger 5/16" Orifice Spray Valve & Swivel

Product Compliance:
 NSF 61 Exempt (Non-Potable)
 EPA Act 2005 Non-Compliant (PRSV)



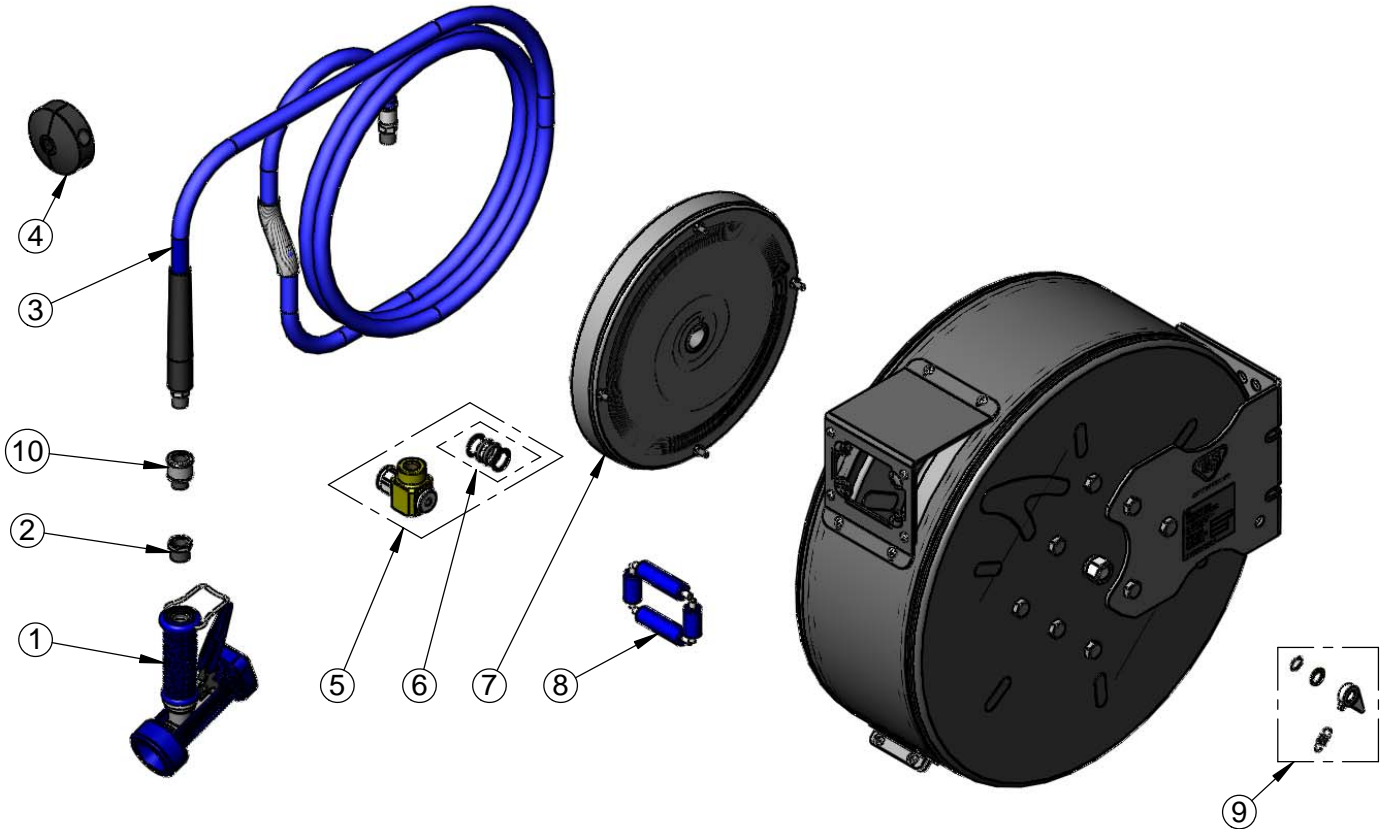
T&S BRASS AND BRONZE WORKS, INC.
 2 Saddleback Cove / P.O. Box 1088
 Travelers Rest, SC 29690

Model No.
B-7242-C02

Item No.

Travelers Rest, SC: 800-476-4103 • Simi Valley, CA: 800-423-0150 • Fax: 864-834-3518 • www.tsbrass.com

| ITEM NO. | SALES NO. | DESCRIPTION |
|----------|----------------------------|--|
| 1 | MV-2516-24 | Rear Trigger Gun, 5/16" Orifice |
| 2 | 001359-40 | Hex Bushing, 1/2" NPT Male x 3/8" NPT Female |
| 3 | 014942-45 | 3/8" x 50' Hose Replacement Kit |
| 4 | 014949-45 | Hose Stop Repair Kit |
| 5 | 019561-45 | 3/8" x 50' Swivel Repair Kit |
| 6 | 019473-45 | 3/8" x 50' O-Ring Replacement Kit |
| 7 | 014934-45 | Large Coated Spring Assembly |
| 8 | 014937-45 | Roller Replacement Kit |
| 9 | 014940-45 | Ratchet Repair Kit |
| 10 | 019652-40 | 3/8" NPT Live Swivel |



Product Specifications:
 3/8" x 50 Ft. Enclosed Coated Reel, w/ Rear Trigger 5/16" Orifice Spray Valve & Swivel

Product Compliance:
 NSF 61 Exempt (Non-Potable)
 EPA Act 2005 Non-Compliant (PRSV)