



T&S BRASS AND BRONZE WORKS, INC.
 2 Saddleback Cove / P.O. Box 1088
 Travelers Rest, SC 29690

Model No.
B-7242-C01

Item No.

Travelers Rest, SC: 800-476-4103 • Simi Valley, CA: 800-423-0150 • Fax: 864-834-3518 • www.tsbrass.com

This Space for Architect/Engineer Approval

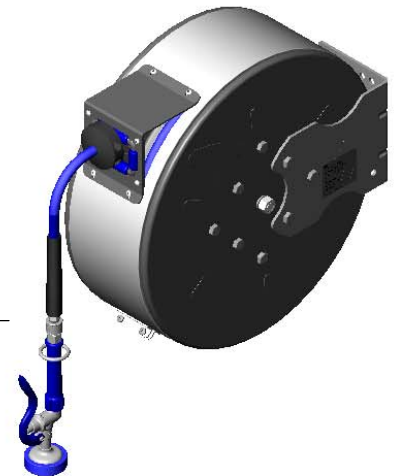
Job Name _____ Date _____

Model Specified _____ Quantity _____

Customer/Wholesaler _____

Contractor _____

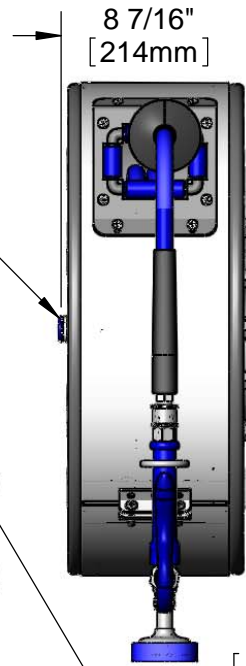
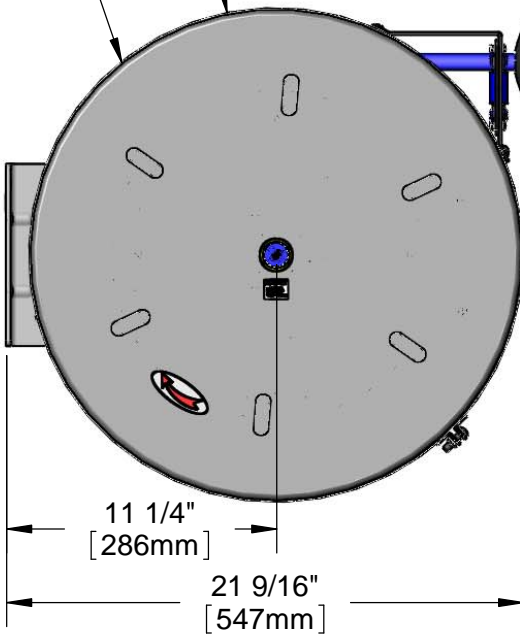
Architect/Engineer _____



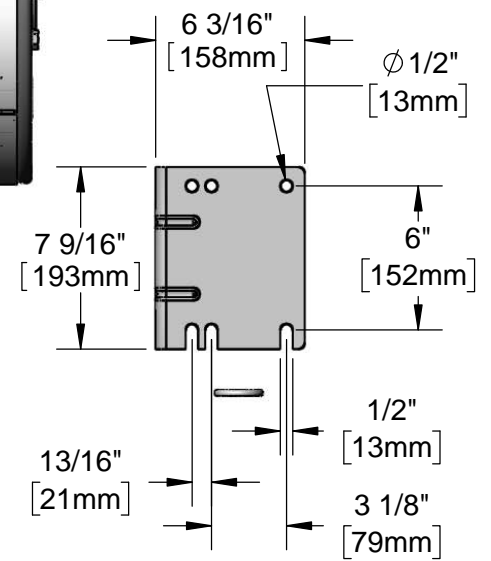
Enclosed Coated Hose Reel;
 50 Ft. of 3/8" Hose

$\phi 20 \frac{9}{16}$ "
 [522mm]

3/8" NPT Female
 Inlet (Left Side of
 Reel)



Mounting Hole Details



019652-40
 3/8" NPT
 Live Swivel

EB-0107
 High Flow
 Spray Valve

Product Specifications:
 3/8" x 50 Ft. Enclosed Coated Reel w/ High Flow Spray Valve & Swivel

Product Compliance:
 NSF 61 Exempt (Non-Potable)
 EPA Act 2005 Non-Compliant (PRSV)



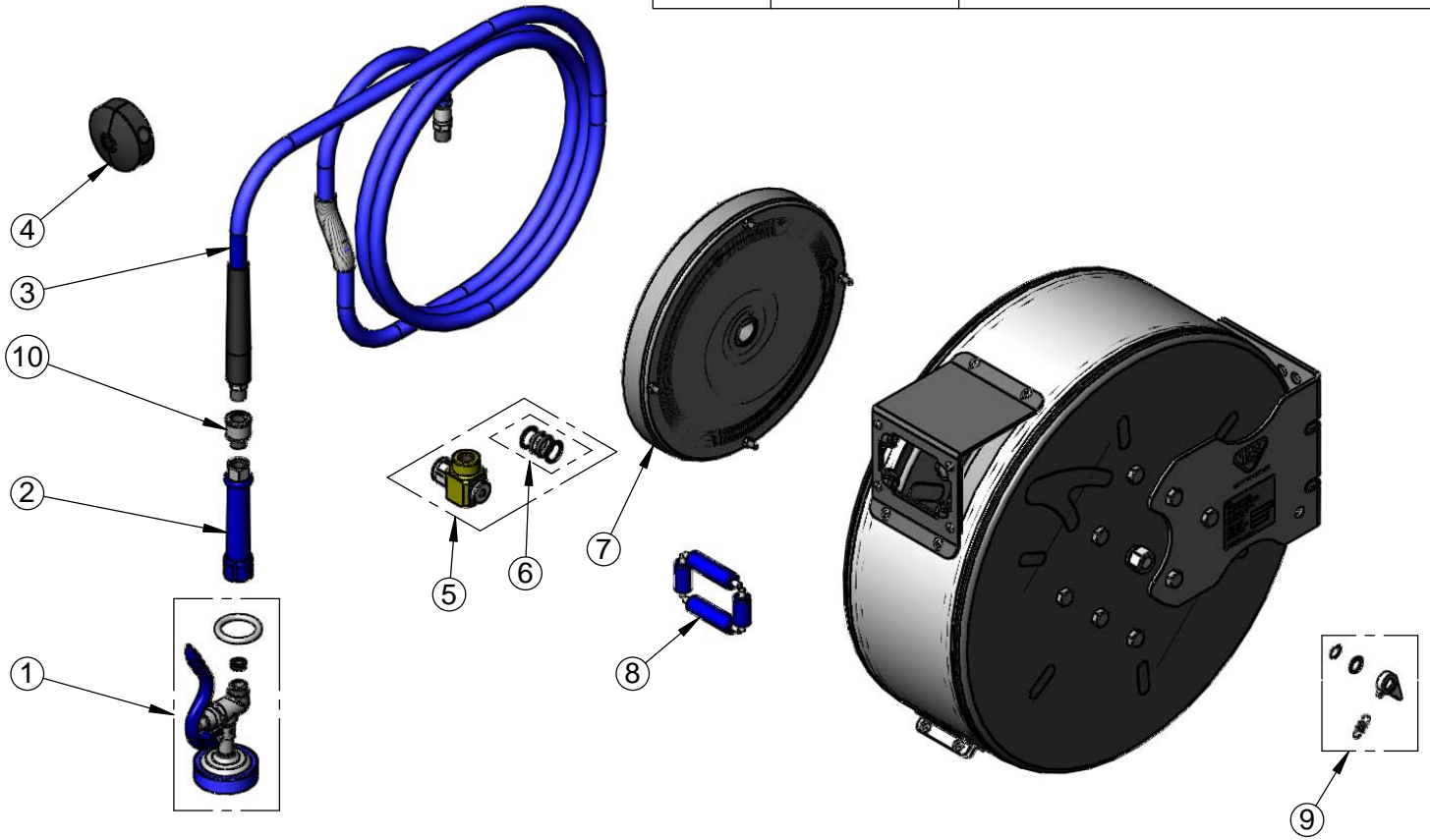
T&S BRASS AND BRONZE WORKS, INC.
 2 Saddleback Cove / P.O. Box 1088
 Travelers Rest, SC 29690

Model No.
B-7242-C01

Item No.

Travelers Rest, SC: 800-476-4103 • Simi Valley, CA: 800-423-0150 • Fax: 864-834-3518 • www.tsbrass.com

ITEM NO.	SALES NO.	DESCRIPTION
1	EB-0107	High Flow Spray Valve
2	012504-40	Blue Grip Handle
3	014942-45	3/8" x 50' Hose Replacement Kit
4	014949-45	Hose Stop Repair Kit
5	019561-45	3/8" x 50' Swivel Repair Kit
6	019473-45	3/8" x 50' O-Ring Replacement Kit
7	014934-45	Large Coated Spring Assembly
8	014937-45	Roller Replacement Kit
9	014940-45	Ratchet Repair Kit
10	019652-40	3/8" NPT Live Swivel



Product Specifications:
 3/8" x 50 Ft. Enclosed Coated Reel w/ High Flow Spray Valve & Swivel

Product Compliance:
 NSF 61 Exempt (Non-Potable)
 EPA Act 2005 Non-Compliant (PRSV)