



**T&S BRASS AND BRONZE WORKS, INC.**

2 Saddleback Cove / P.O. Box 1088  
Travelers Rest, SC 29690

Model No.

**B-7242-10**

Item No.

Travelers Rest, SC: 800-476-4103 • Simi Valley, CA: 800-423-0150 • Fax: 864-834-3518 • www.tsbrass.com

This Space for Architect/Engineer Approval

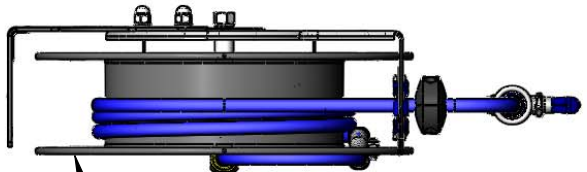
Job Name \_\_\_\_\_ Date \_\_\_\_\_

Model Specified \_\_\_\_\_ Quantity \_\_\_\_\_

Customer/Wholesaler \_\_\_\_\_

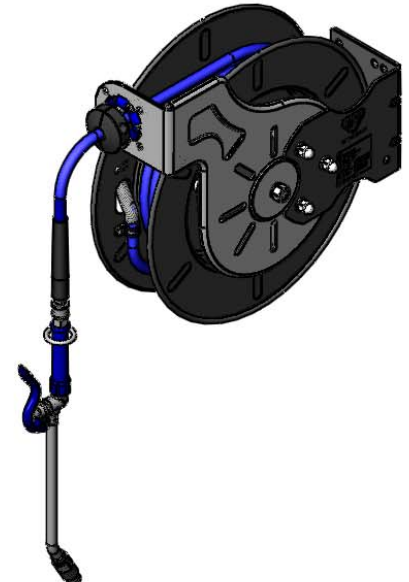
Contractor \_\_\_\_\_

Architect/Engineer \_\_\_\_\_

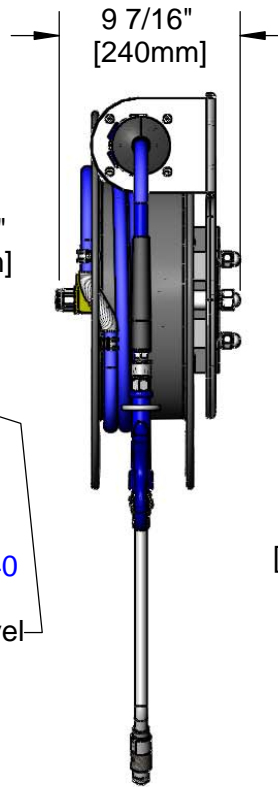
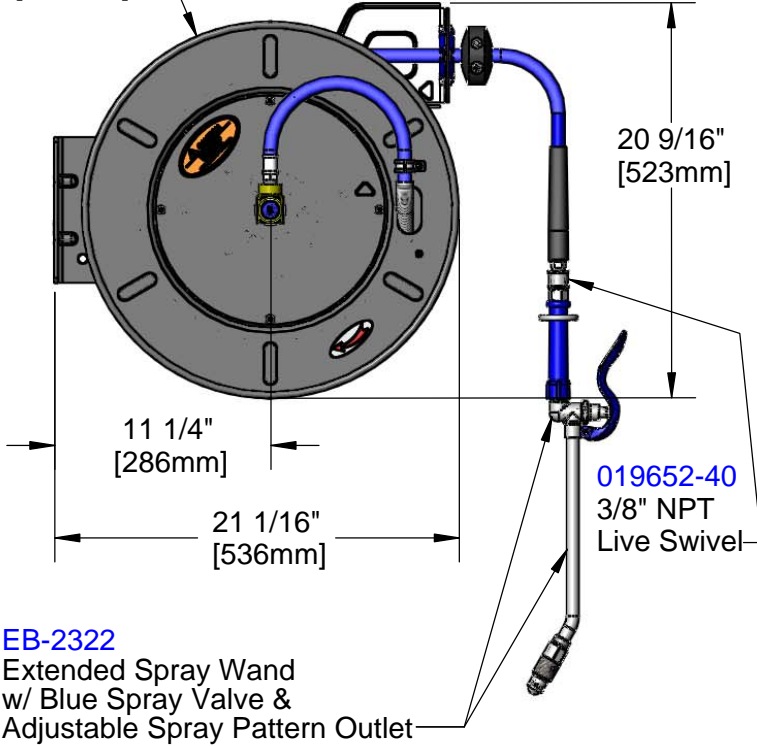


3/8" NPT Female Inlet  
(Left Side of Reel)

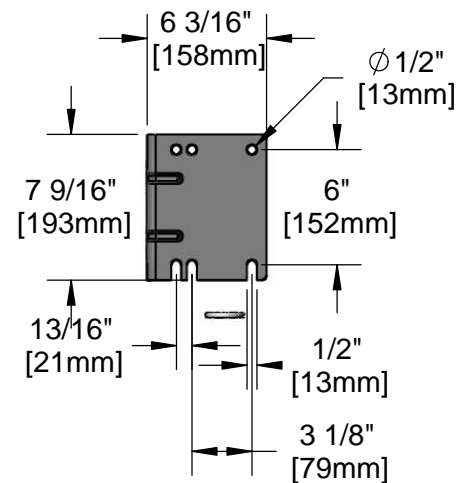
Open Coated Hose Reel;  
50 Ft. of 3/8" Hose



Ø 19 5/8"  
[498mm]



Mounting Hole Details



Product Specifications:

3/8" x 50 Ft. Open Coated Reel w/ Extended Spray Wand & Blue Spray Valve w/ Swivel

Product Compliance:

NSF 61 Exempt (Non-Potable)  
EPA Act 2005 Non-Compliant (PRSV)



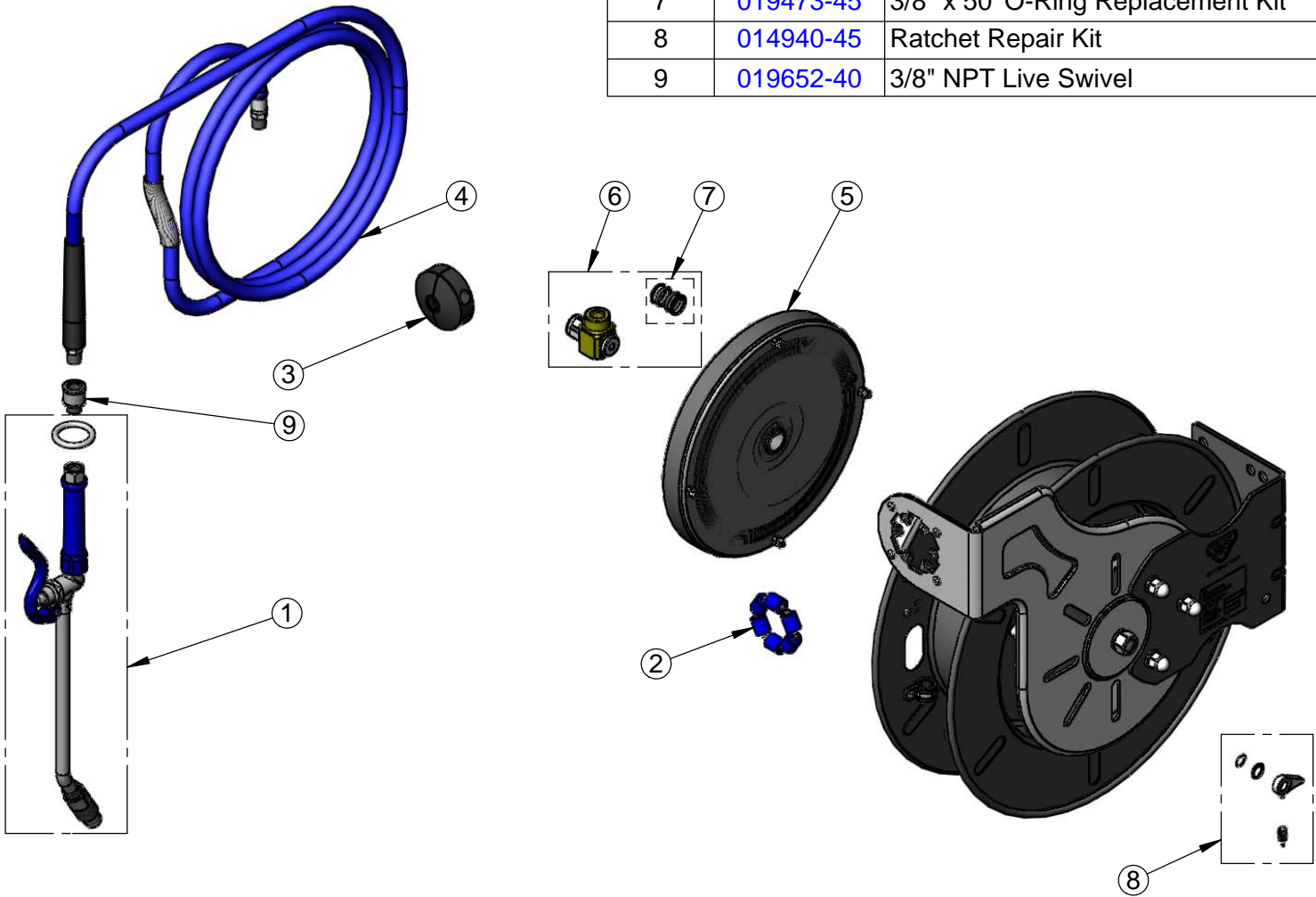
**T&S BRASS AND BRONZE WORKS, INC.**  
 2 Saddleback Cove / P.O. Box 1088  
 Travelers Rest, SC 29690

Model No.  
**B-7242-10**

Item No.

Travelers Rest, SC: 800-476-4103 • Simi Valley, CA: 800-423-0150 • Fax: 864-834-3518 • www.tsbrass.com

ITEM NO.	SALES NO.	DESCRIPTION
1	<a href="#">EB-2322</a>	Extended Wand Spray Valve
2	<a href="#">014938-45</a>	Roller Assembly Repair Kit
3	<a href="#">014949-45</a>	Hose Stop Repair Kit
4	<a href="#">014942-45</a>	3/8" x 50' Hose Replacement Kit
5	<a href="#">014934-45</a>	Large Spring Assembly
6	<a href="#">019561-45</a>	3/8" x 50' Swivel Repair Kit
7	<a href="#">019473-45</a>	3/8" x 50' O-Ring Replacement Kit
8	<a href="#">014940-45</a>	Ratchet Repair Kit
9	<a href="#">019652-40</a>	3/8" NPT Live Swivel



Product Specifications:  
 3/8" x 50 Ft. Open Coated Reel w/ Extended Spray Wand & Blue Spray Valve w/ Swivel

Product Compliance:  
 NSF 61 Exempt (Non-Potable)  
 EPAAct 2005 Non-Compliant (PRSV)