



**T&S BRASS AND BRONZE WORKS, INC.**  
 2 Saddleback Cove / P.O. Box 1088  
 Travelers Rest, SC 29690

Model No.

**B-7242-01**

Item No.

Travelers Rest, SC: 800-476-4103 • Simi Valley, CA: 800-423-0150 • Fax: 864-834-3518 • www.tsbrass.com

This Space for Architect/Engineer Approval

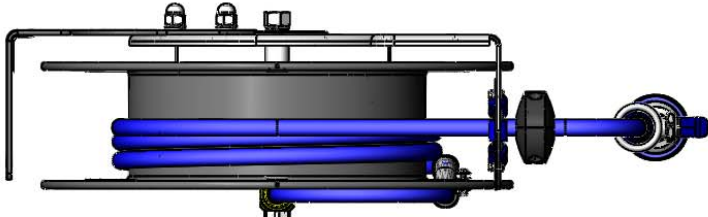
Job Name \_\_\_\_\_ Date \_\_\_\_\_

Model Specified \_\_\_\_\_ Quantity \_\_\_\_\_

Customer/Wholesaler \_\_\_\_\_

Contractor \_\_\_\_\_

Architect/Engineer \_\_\_\_\_

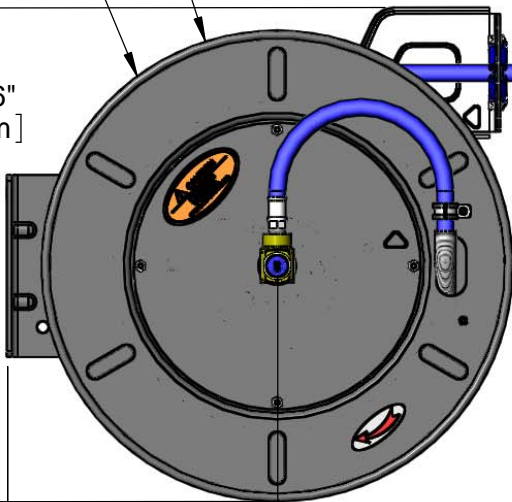


3/8" NPT Female Inlet  
(Left Side of Reel)

Open Coated Hose Reel  
50' of 3/8" Hose

Ø 19 5/8"  
[498mm]

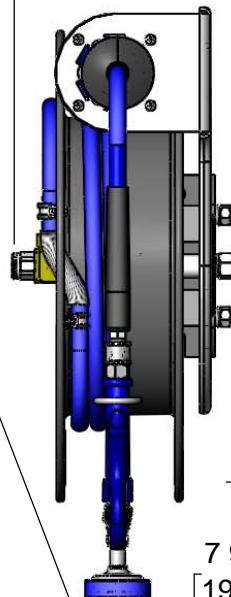
20 9/16"  
[523mm]



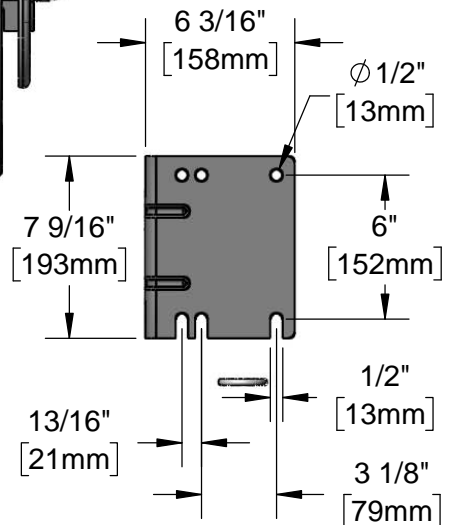
11 1/4"  
[286mm]

21 1/16"  
[535mm]

9 1/2"  
[241mm]



**Mounting Hole Details**



019652-40  
3/8" NPT  
Live Swivel

EB-0107  
High Flow  
Spray Valve

Product Specifications:  
3/8" x 50' Open Coated Reel & High Flow Spray Valve & Swivel

Product Compliance:  
NSF 61 Exempt (Non-Potable)  
EPA Act 2005 Non-Compliant (PRSV)



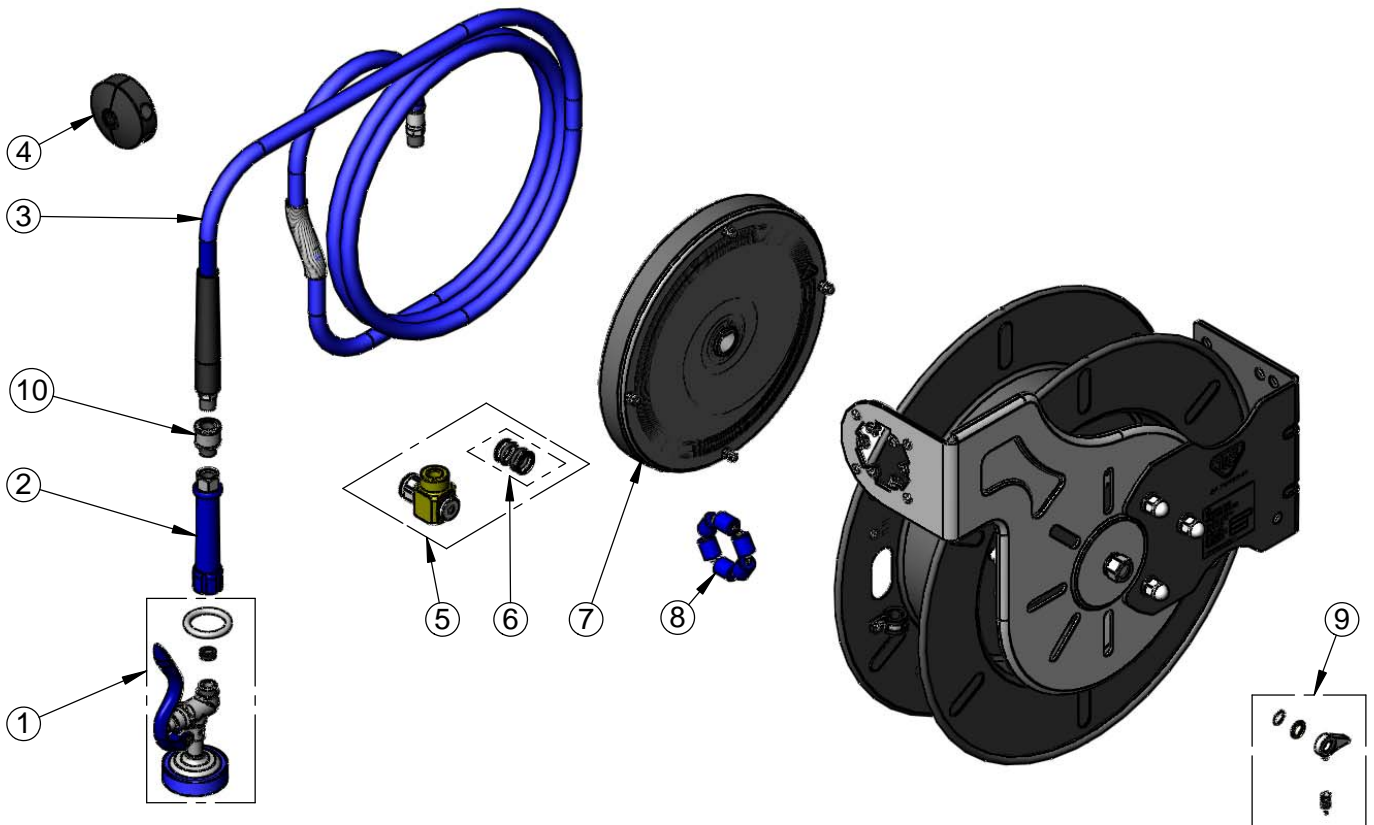
**T&S BRASS AND BRONZE WORKS, INC.**  
 2 Saddleback Cove / P.O. Box 1088  
 Travelers Rest, SC 29690

Model No.  
**B-7242-01**

Item No.

Travelers Rest, SC: 800-476-4103 • Simi Valley, CA: 800-423-0150 • Fax: 864-834-3518 • www.tsbrass.com

| ITEM NO. | SALES NO. | DESCRIPTION                       |
|----------|-----------|-----------------------------------|
| 1        | EB-0107   | High Flow Spray Valve (Blue)      |
| 2        | 012504-40 | Grip Handle (Blue) w/ Washer      |
| 3        | 014942-45 | 3/8" x 50' Hose Replacement Kit   |
| 4        | 014949-45 | Hose Stop Repair Kit              |
| 5        | 019561-45 | 3/8" x 50' Swivel Repair Kit      |
| 6        | 019473-45 | 3/8" x 50' O-Ring Replacement Kit |
| 7        | 014934-45 | Large Coated Spring               |
| 8        | 014938-45 | Roller Replacement Kit            |
| 9        | 014940-45 | Ratchet Repair Kit                |
| 10       | 019652-40 | 3/8" NPT Live Swivel              |



Product Specifications:  
 3/8" x 50' Open Coated Reel & High Flow Spray Valve & Swivel

Product Compliance:  
 NSF 61 Exempt (Non-Potable)  
 EPA 2005 Non-Compliant (PRSV)