



T&S BRASS AND BRONZE WORKS, INC.

2 Saddleback Cove / P.O. Box 1088
Travelers Rest, SC 29690

Model No.

B-7232-U1MXS1EW

Item No.

Travelers Rest, SC: 800-476-4103 • Simi Valley, CA: 800-423-0150 • Fax: 864-834-3518 • www.tsbrass.com

This Space for Architect/Engineer Approval

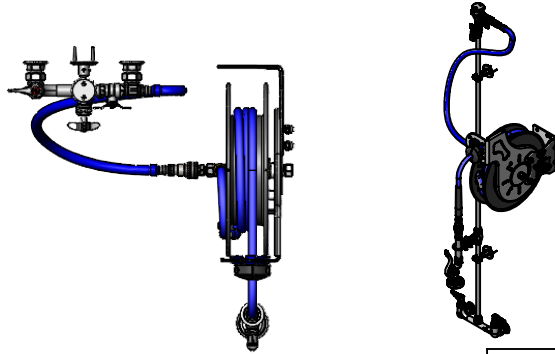
Job Name _____ Date _____

Model Specified _____ Quantity _____

Customer/Wholesaler _____

Contractor _____

Architect/Engineer _____



B-0963

Continuous Pressure Vacuum Breaker w/ Integral Check Valve

3/8" NPT x 36" Flexible Water Connector To Hose Reel

Stainless Steel Quick Disconnect

3/8" NPT x 40" Riser

Control Valve

(2) **B-0109-07** Wall Brackets

EasyInstall 3/8" NPT x 16" Riser

3 11/16" [94mm]

Ø 2" [51mm] Flanges w/ 1/2" NPT Female Inlets

Adjustable From 7 3/4" to 8 1/4" [197mm to 210mm]

Open Coated Hose Reel w/ 35' of 3/8" Hose

B-0107 1.15 GPM Spray Valve w/ **AW-5B** Stainless Steel QD

8" Wall Mount Mixing Faucet w/ Quarter-Turn Eterna Cartridges w/ Spring Checks & Lever Handles w/ Color Coded Indexes

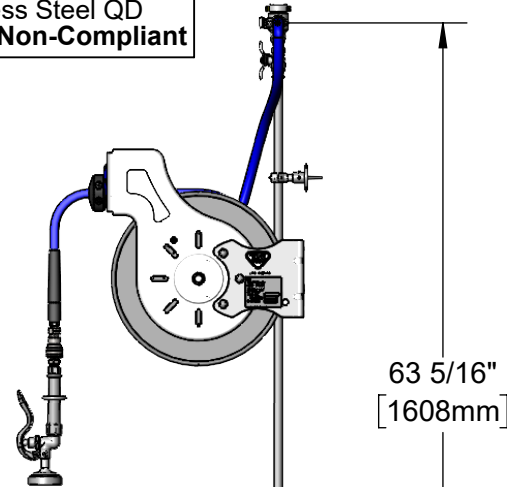
12 5/8" [321mm]

8" [203mm]

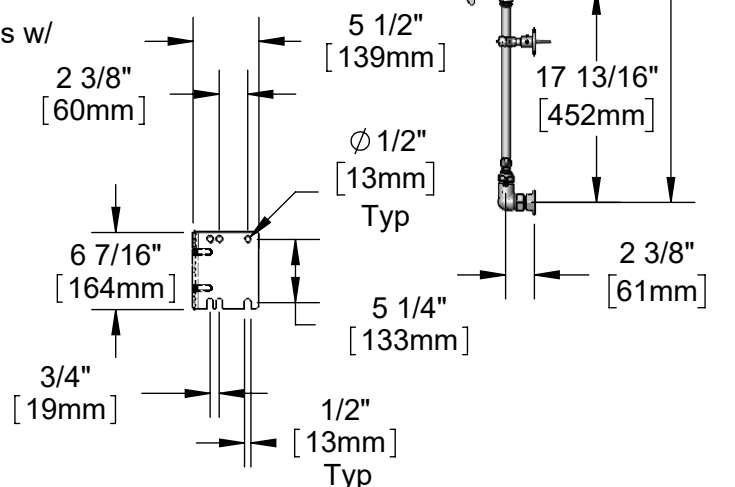


EB-2322

Extended Wand Spray Valve w/ **AW-5B** Stainless Steel QD
2019 DOE PRSV Non-Compliant



63 5/16" [1608mm]



Product Specifications:

Open Coated Hose Reel w/ 35' of 3/8" Hose, Two Spray Valves w/ Quick Disconnects, Vacuum Breaker, 3/8" NPT Flexible Water Connector, 8" Wall Mount Mixing Faucet & Control Valve

Product Compliance:

NSF 61 Exempt (Non-Potable)
2019 DOE PRSV - Class II (**B-0107**)
2019 DOE PRSV Non-Compliant (**EB-2322**)
ASSE 1056 (VB)



T&S BRASS AND BRONZE WORKS, INC.

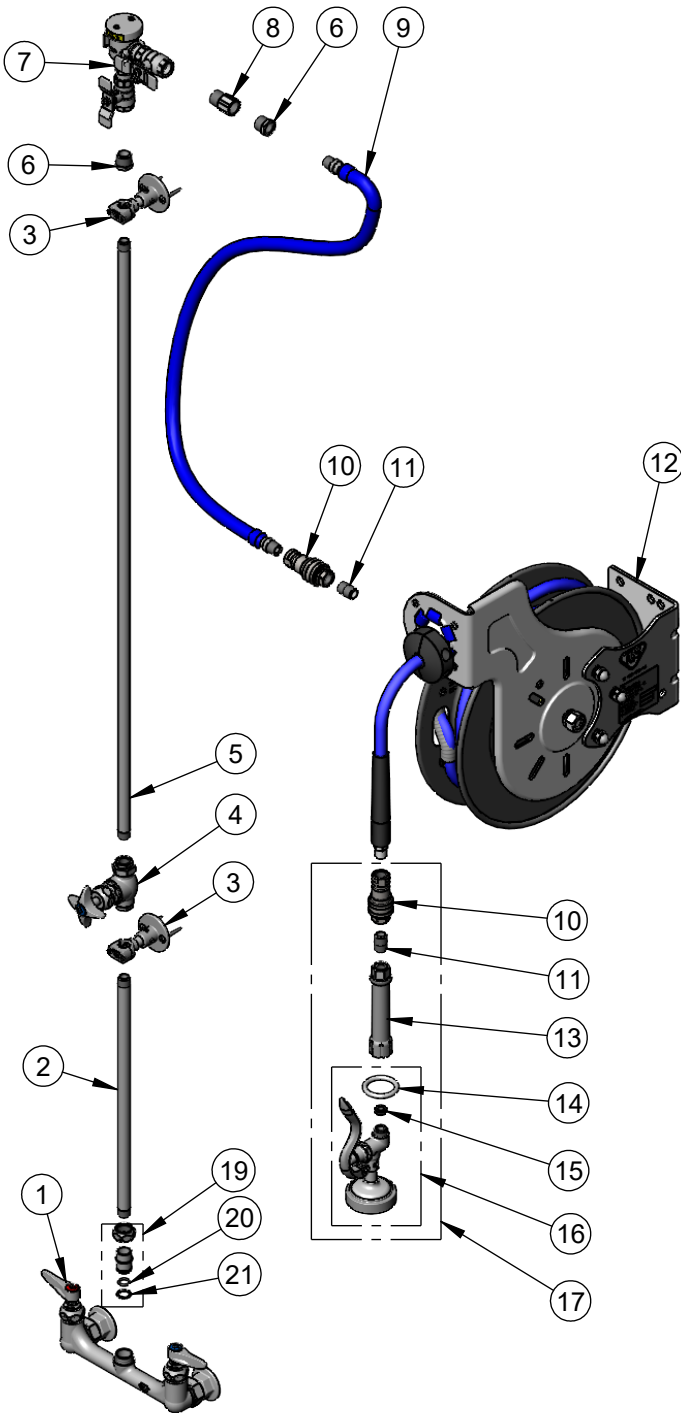
2 Saddleback Cove / P.O. Box 1088
Travelers Rest, SC 29690

Model No.

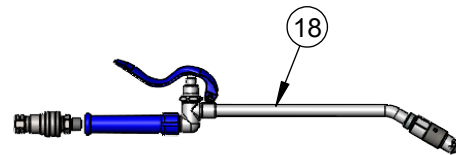
B-7232-U1MXS1EW

Item No.

Travelers Rest, SC: 800-476-4103 • Simi Valley, CA: 800-423-0150 • Fax: 864-834-3518 • www.tsbrass.com



ITEM NO.	SALES NO.	DESCRIPTION
1	B-0230-LN	8" Wall Mount Mixing Faucet
2	000368-40	3/8" NPT x 16" Riser
3	B-0109-07	Wall Bracket
4	0RK3	0RK3 Control Valve
5	002558-40	3/8" NPT x 40" Riser
6	001359-40	1/2" NPT Male x 3/8" NPT Female Hex Bushing
7	B-0963	1/2" NPT Continuous Pressure VB w/ Integral Check Valve
8	015073-40	Check Valve w/ 1/2" NPT Adapter
9	HW-2B-36	3/8" NPT x 36" Flexible Water Hose
10	AW-5B	3/8" NPT Quick Disconnect
11	002535-25	3/8" Close Nipple
12	B-7232	Open Coated Hose Reel w/ 35' of 3/8" Hose
13	002881-40	Grip Handle, 3/8" NPT
14	000907-45	Spray Valve Hold Down Ring
15	010476-45	#27 Washer
16	B-0107	1.15 GPM Spray Valve
17	B-0107-QD	1.15 GPM Spray Valve w/ Stainless Steel Quick Disconnect
18	EB-2322-QD	Extended Wand Spray Valve w/ Stainless Steel Quick Disconnect
19	EZ-K	EasyInstall Kit
20	001065-45	O-Ring
21	014200-45	Lock Washer



Product Specifications:

Open Coated Hose Reel w/ 35' of 3/8" Hose, Two Spray Valves w/ Quick Disconnects, Vacuum Breaker, 3/8" NPT Flexible Water Connector, 8" Wall Mount Mixing Faucet & Control Valve

Product Compliance:

NSF 61 Exempt (Non-Potable)
2019 DOE PRSV - Class II (B-0107)
2019 DOE PRSV Non-Compliant (EB-2322)
ASSE 1056 (VB)