



T&S BRASS AND BRONZE WORKS, INC.
 2 Saddleback Cove / P.O. Box 1088
 Travelers Rest, SC 29690

Model No.
B-7232-U05XS1E

Item No.

Travelers Rest, SC: 800-476-4103 • Simi Valley, CA: 800-423-0150 • Fax: 864-834-3518 • www.tsbrass.com

This Space for Architect/Engineer Approval

Job Name _____ Date _____

Model Specified _____ Quantity _____

Customer/Wholesaler _____

Contractor _____

Architect/Engineer _____

B-0963

Continuous Pressure
 Vacuum Breaker w/
 Integral Check Valve

3/8" NPT x 36"
 Flexible Water
 Hose Connector

3/8" NPT x 40"
 Riser

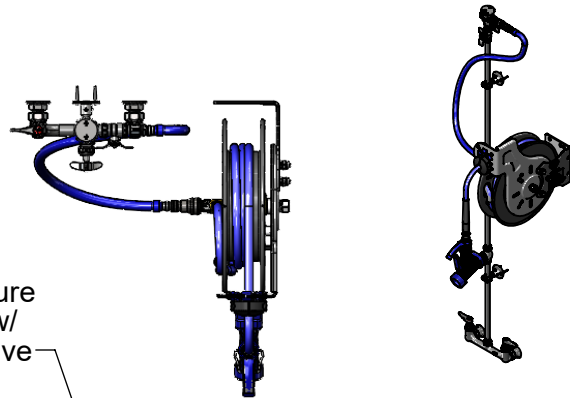
Stainless Steel
 Quick Disconnect

Control Valve
 EasyInstall
 3/8" NPT x 16"
 Riser

(2) **B-0109-07**
 Wall Brackets

3 11/16"
 [94mm]

Ø 2" [51mm]
 Flanges w/
 1/2" NPT
 Female Inlets



Open Coated Hose Reel
 w/ 35' of 3/8" Hose

019652-40
 3/8" NPT
 Live Swivel

Front Trigger
 Water Gun

8" Wall Mount Mixing Faucet,
 Quarter-Turn Eterna Cartridges
 w/ Spring Checks & Lever
 Handles w/ Color Coded
 Indexes

12 5/8"
 [321mm]

8"
 [203mm]
 Adjustable From
 7 3/4" to 8 1/4"
 [197mm to 210mm]

5 1/2"
 [139mm]

2 3/8"
 [60mm]

6 7/16"
 [164mm]

3/4"
 [19mm]

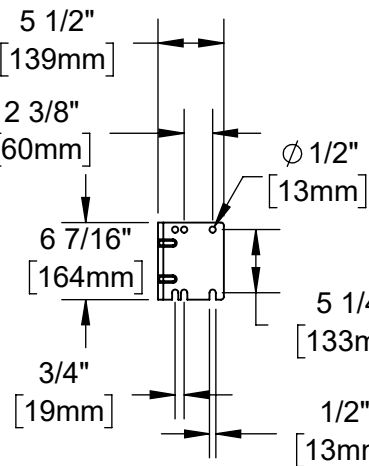
17 13/16"
 [453mm]

5 1/4"
 [133mm]

1/2"
 [13mm]

64 7/8"
 [1647mm]

2 7/16"
 [61mm]



Product Specifications:

Open Coated Hose Reel w/ 35' of 3/8" Hose, Blue Front Trigger Water Gun w/ Swivel, Vacuum Breaker, 3/8" NPT Flexible Water Hose, 8" Wall Mount Mixing Faucet, Wall Brackets & Control Valve

Product Compliance:

NSF 61 Exempt (Non-Potable)
 2019 DOE PRSV Non-Compliant
 ASSE 1056 (VB)



T&S BRASS AND BRONZE WORKS, INC.

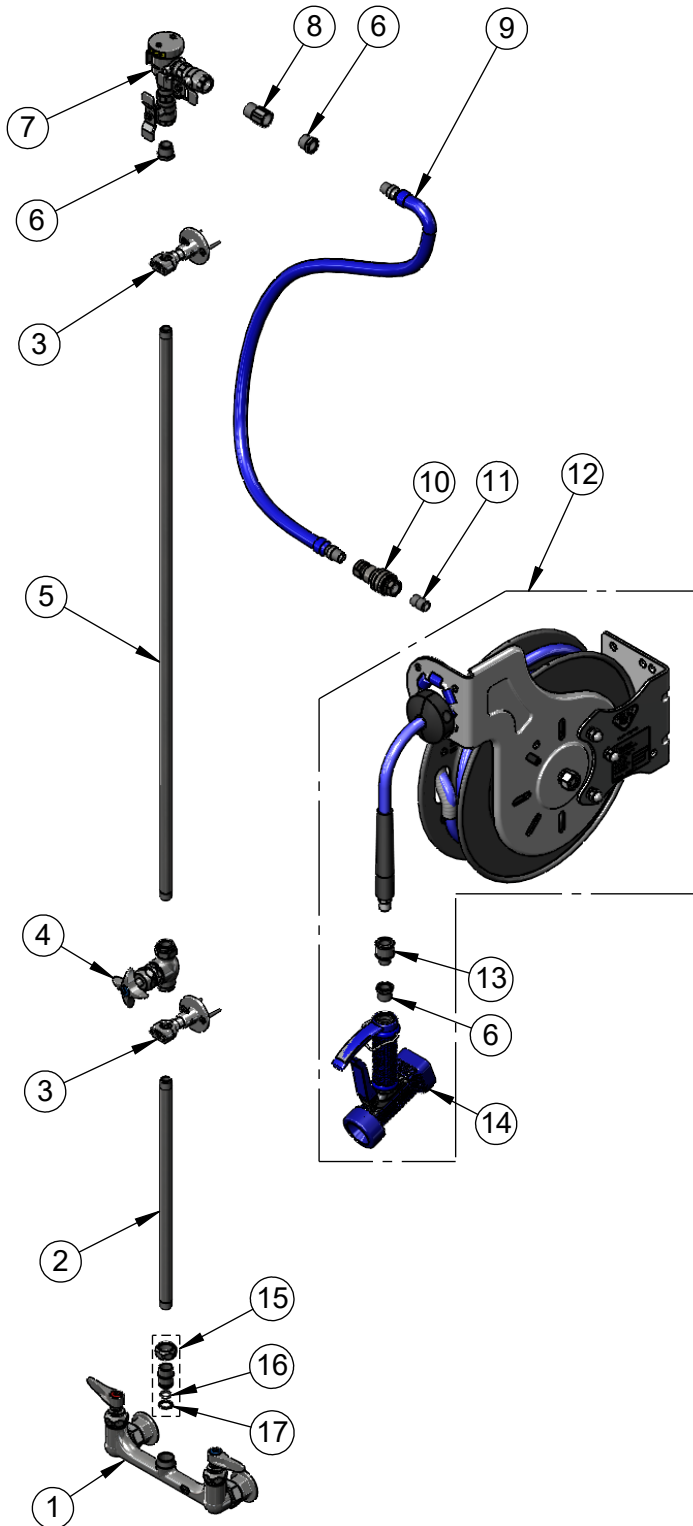
2 Saddleback Cove / P.O. Box 1088
Travelers Rest, SC 29690

Model No.

B-7232-U05XS1E

Item No.

Travelers Rest, SC: 800-476-4103 • Simi Valley, CA: 800-423-0150 • Fax: 864-834-3518 • www.tsbrass.com



ITEM NO.	SALES NO.	DESCRIPTION
1	B-0230-LN	8" Wall Mount Mixing Faucet
2	000368-40	Nipple, 3/8" x 16"
3	B-0109-07	Wall Bracket
4	0RK3	Control Valve
5	002558-40	3/8" NPT x 40" Riser
6	001359-40	Hex Bushing, 1/2" NPT Male x 3/8" NPT Female
7	B-0963	Vacuum Breaker 1/2" NPT Female
8	015073-40	Check Valve w/ 1/2" NPT Adapter
9	HW-2B-36	3/8" NPT x 36" Flexible Water Hose
10	AW-5B	3/8" NPT Quick Disconnect
11	002535-25	3/8" Close Nipple
12	B-7232-05	Open Coated Hose Reel w/ 35' of 3/8" Hose w/ Front Trigger Water Gun
13	019652-40	3/8" NPT Live Swivel
14	MV-2522-24	Stainless Steel Water Gun, Front Trigger
15	EZ-K	EasyInstall Kit
16	001065-45	O-Ring
17	014200-45	Star Washer, Anti-Rotation

Product Specifications:

Open Coated Hose Reel w/ 35' of 3/8" Hose, Blue Front Trigger Water Gun w/ Swivel, Vacuum Breaker, 3/8" NPT Flexible Water Hose, 8" Wall Mount Mixing Faucet, Wall Brackets & Control Valve

Product Compliance:

NSF 61 Exempt (Non-Potable)
2019 DOE PRSV Non-Compliant
ASSE 1056 (VB)