



T&S BRASS AND BRONZE WORKS, INC.
 2 Saddleback Cove / P.O. Box 1088
 Travelers Rest, SC 29690

Model No.
B-7232-U01XS4E

Item No.

Travelers Rest, SC: 800-476-4103 • Simi Valley, CA: 800-423-0150 • Fax: 864-834-3518 • www.tsbrass.com

This Space for Architect/Engineer Approval

Job Name _____ Date _____

Model Specified _____ Quantity _____

Customer/Wholesaler _____

Contractor _____

Architect/Engineer _____

B-0963

Continuous Pressure
 Vacuum Breaker w/
 Integral Check Valve

3/8" NPT x 36"
 Flexible Water
 Hose

(2) **B-0109-07**
 Wall Brackets

Stainless Steel
 Quick Disconnect

3/8" NPT x
 40" Riser

Control Valve

3/8" NPT x
 16" Riser

EasyInstall
 Lock Nut &
 Bushing

5 3/16"
 [131mm]

12 5/8"
 [321mm]

8"
 [203mm]

Adjustable From
 7 3/4" to 8 1/4"
 [197mm to 210mm]

Quarter-Turn
 Eterna Cartridges
 w/ Spring Checks
 & Lever Handles
 w/ Color Coded
 Indexes

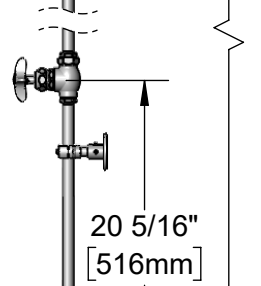
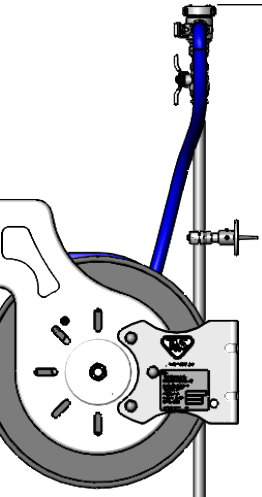
6 7/16"
 [164mm]

Open Coated
 Hose Reel
 w/ 35' of 3/8" Hose

019652-40
 3/8" NPT
 Live Swivel

EB-0107
 High Flow
 Spray Valve

67 5/16"
 [1710mm]

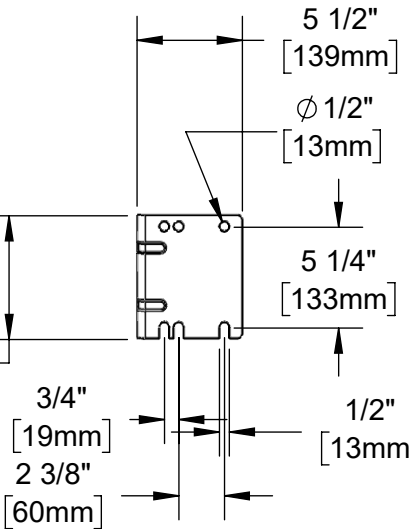


5 1/2"
 [139mm]

∅ 1/2"
 [13mm]

5 1/4"
 [133mm]

20 5/16"
 [516mm]



3/4"
 [19mm]

2 3/8"
 [60mm]

1/2"
 [13mm]

∅ 2" [51mm]
 Flanges w/
 1/2" NPT
 Female Inlets

Product Specifications:

Open Coated Hose Reel w/ 35' of 3/8" Hose, High Flow Spray Valve w/ Swivel, Vacuum Breaker, 3/8" NPT Flexible Water Hose, 8" Deck Mount Mixing Faucet w/ Spring Checks, (2) Wall Brackets & Control Valve

Product Compliance:

NSF 61 Exempt (Non-Potable)
 2019 DOE PRSV Non-Compliant
 ASSE 1056 (VB)



T&S BRASS AND BRONZE WORKS, INC.

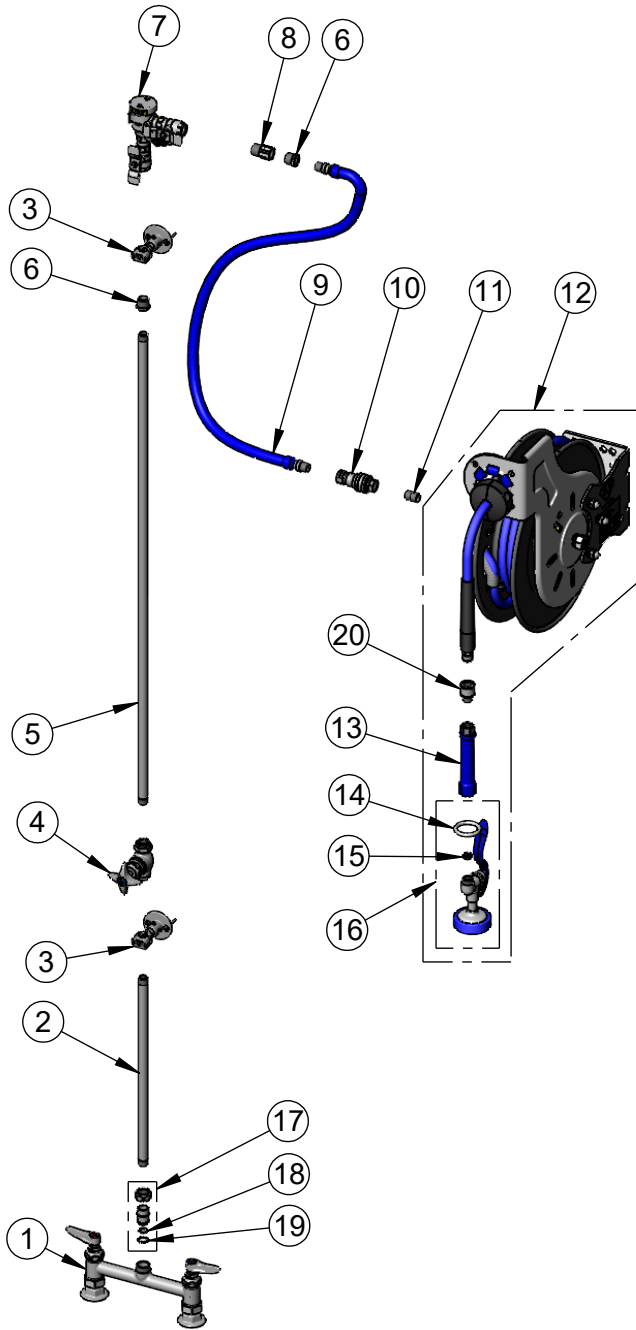
2 Saddleback Cove / P.O. Box 1088
Travelers Rest, SC 29690

Model No.

B-7232-U01XS4E

Item No.

Travelers Rest, SC: 800-476-4103 • Simi Valley, CA: 800-423-0150 • Fax: 864-834-3518 • www.tsbrass.com



ITEM NO.	SALES NO.	DESCRIPTION
1	B-0320-LN	8" Deck Mount Base Faucet
2	000368-40	3/8" NPT x 16" Riser
3	B-0109-07	Wall Bracket
4	0RK3	Control Valve
5	002558-40	3/8" NPT x 40" Riser
6	001359-40	1/2" NPT Male x 3/8" NPT Female Hex Bushing
7	B-0963	1/2" NPT Continuous Pressure VB w/ Integral Check Valve
8	015073-40	Check Valve 1/2" NPT Adapter
9	HW-2B-36	3/8" NPT x 36" Flexible Water Hose
10	AW-5B	3/8" NPT Quick Disconnect
11	002535-25	3/8" Close Nipple
12	B-7232-01	Open Coated Hose Reel w/ 35' x 3/8" Hose
13	012504-40	Grip Handle (Blue), 3/8" NPT
14	000907-45	Spray Valve Hold Down Ring
15	010476-45	#27 Washer
16	EB-0107	High Flow Spray Valve
17	EZ-K	EasyInstall Kit
18	001065-45	O-Ring
19	014200-45	Star Washer, Anti-Rotation
20	019652-40	3/8" NPT Live Swivel

Product Specifications:

Open Coated Hose Reel w/ 35' of 3/8" Hose, High Flow Spray Valve w/ Swivel, Vacuum Breaker, 3/8" NPT Flexible Water Hose, 8" Deck Mount Mixing Faucet w/ Spring Checks, (2) Wall Brackets & Control Valve

Product Compliance:

NSF 61 Exempt (Non-Potable)
2019 DOE PRSV Non-Compliant
ASSE 1056 (VB)