



**T&S BRASS AND BRONZE WORKS, INC.**  
 2 Saddleback Cove / P.O. Box 1088  
 Travelers Rest, SC 29690

Model No.  
**B-7232-U01XS2E**

Item No.

Travelers Rest, SC: 800-476-4103 • Simi Valley, CA: 800-423-0150 • Fax: 864-834-3518 • www.tsbrass.com

This Space for Architect/Engineer Approval

Job Name \_\_\_\_\_ Date \_\_\_\_\_

Model Specified \_\_\_\_\_ Quantity \_\_\_\_\_

Customer/Wholesaler \_\_\_\_\_

Contractor \_\_\_\_\_

Architect/Engineer \_\_\_\_\_

**B-0963**  
 Continuous Pressure  
 Vacuum Breaker w/  
 Integral Check Valve

3/8" NPT x 36"  
 Flexible Water  
 Hose Connector

3/8" NPT x 40" Riser

Stainless Steel  
 Quick Disconnect

Control Valve

EasyInstall  
 3/8" NPT x 16"  
 Riser

(2) **B-0109-07**  
 Wall Brackets

3 11/16"  
 [94mm]

Ø 2" [51mm]  
 Flanges w/  
 1/2" NPT  
 Female Inlets

Adjustable From  
 7 3/4" to 8 1/4"  
 [197mm to 210mm]

8" Wall Mount  
 Mixing Faucet,  
 Quarter-Turn  
 Eterna Cartridges  
 w/ Spring Checks  
 & Lever Handles  
 w/ Color Coded  
 Indexes

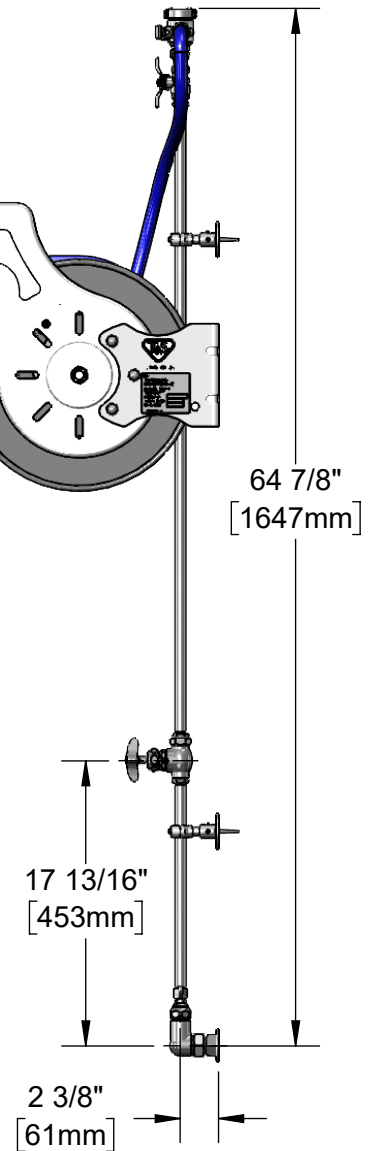
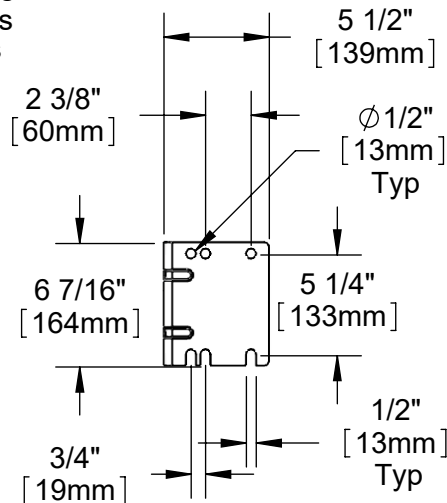
12 5/8"  
 [321mm]

(2) **B-CVH1-2**  
 1/2" NPT  
 Check Valves  
 (Included)

Open Coated Hose Reel  
 w/ 35' of 3/8" Hose

**019652-40**  
 3/8" NPT  
 Live Swivel

**EB-0107**  
 High Flow  
 Spray Valve  
 (Blue)



**Product Specifications:**

Open Coated Hose Reel w/ 35' of 3/8" Hose, High Flow Spray Valve w/ Swivel, Vacuum Breaker, 3/8" NPT Flexible Water Hose, 8" Wall Mount Mixing Faucet, 1/2" NPT Check Valves, Wall Brackets & Control Valve

**Product Compliance:**

NSF 61 Exempt (Non-Potable)  
 2019 DOE PRSV Non-Compliant  
 ASSE 1056 (VB)



# T&S BRASS AND BRONZE WORKS, INC.

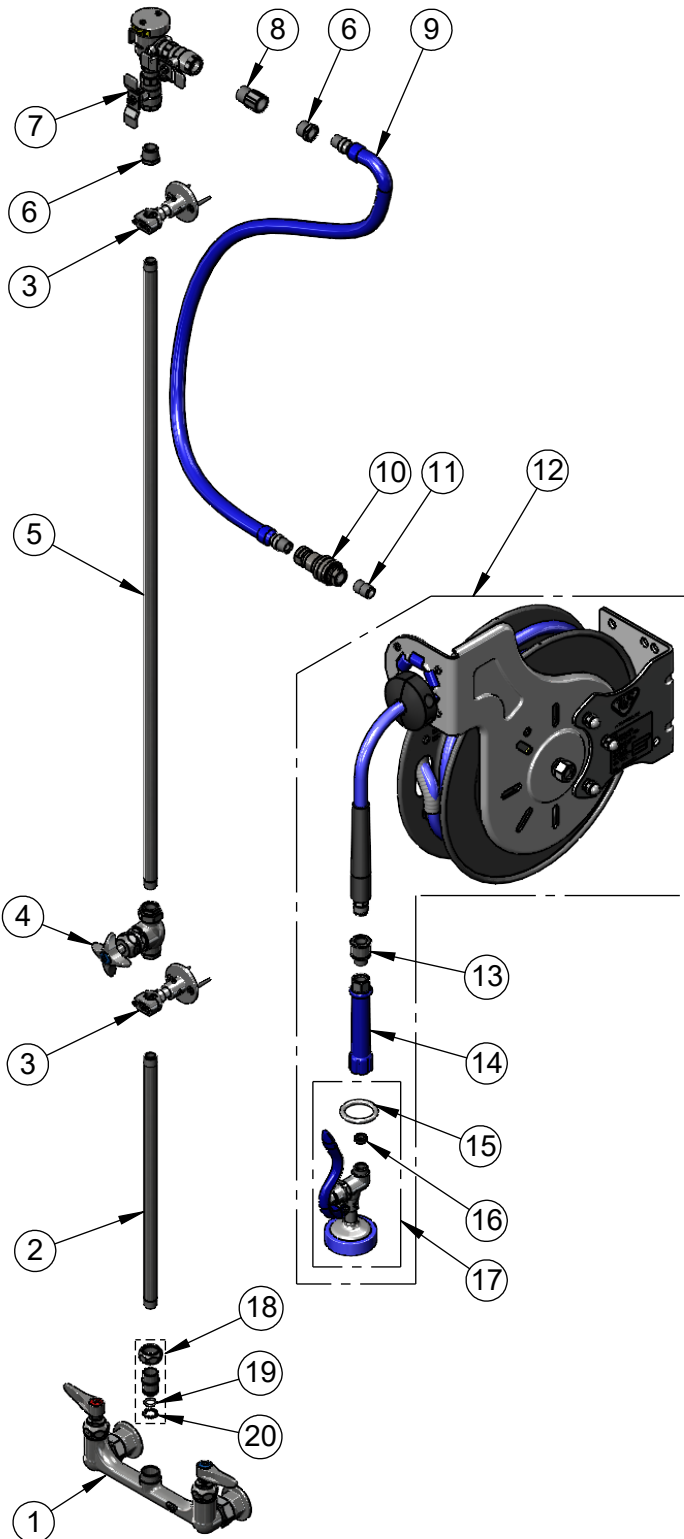
2 Saddleback Cove / P.O. Box 1088  
Travelers Rest, SC 29690

Model No.

**B-7232-U01XS2E**

Item No.

Travelers Rest, SC: 800-476-4103 • Simi Valley, CA: 800-423-0150 • Fax: 864-834-3518 • www.tsbrass.com



ITEM NO.	SALES NO.	DESCRIPTION
1	B-0230-LN	8" Wall Mount Mixing Faucet
2	000368-40	Nipple, 3/8" x 16"
3	B-0109-07	Wall Bracket
4	0RK3	Control Valve
5	002558-40	3/8" NPT x 40" Riser
6	001359-40	Hex Bushing, 1/2" NPT Male x 3/8" NPT Female
7	B-0963	Vacuum Breaker 1/2" NPT Female
8	015073-40	Check Valve w/ 1/2" NPT Adapter
9	HW-2B-36	3/8" NPT x 36" Flexible Water Hose
10	AW-5B	3/8" NPT Quick Disconnect
11	002535-25	3/8" Close Nipple
12	B-7232-01	Open Stainless Steel Hose Reel w/ 35' of 3/8" Hose
13	019652-40	3/8" NPT Live Swivel
14	012504-40	Grip Handle (Blue), 3/8" NPT
15	000907-45	Spray Valve Hold Down Ring
16	010476-45	#27 Washer
17	EB-0107	High Flow Spray Valve (Blue)
18	EZ-K	EasyInstall Kit
19	001065-45	O-Ring
20	014200-45	Star Washer, Anti-Rotation



**B-CVH1-2**  
1/2" NPT Check Valve

**Product Specifications:**  
Open Coated Hose Reel w/ 35' of 3/8" Hose, High Flow Spray Valve w/ Swivel, Vacuum Breaker, 3/8" NPT Flexible Water Hose, 8" Wall Mount Mixing Faucet, 1/2" NPT Check Valves, Wall Brackets & Control Valve

**Product Compliance:**  
NSF 61 Exempt (Non-Potable)  
2019 DOE PRSV Non-Compliant  
ASSE 1056 (VB)