



T&S BRASS AND BRONZE WORKS, INC.
 2 Saddleback Cove / P.O. Box 1088
 Travelers Rest, SC 29690

Model No.
B-7232-10

Item No.

Travelers Rest, SC: 800-476-4103 • Simi Valley, CA: 800-423-0150 • Fax: 864-834-3518 • www.tsbrass.com

This Space for Architect/Engineer Approval

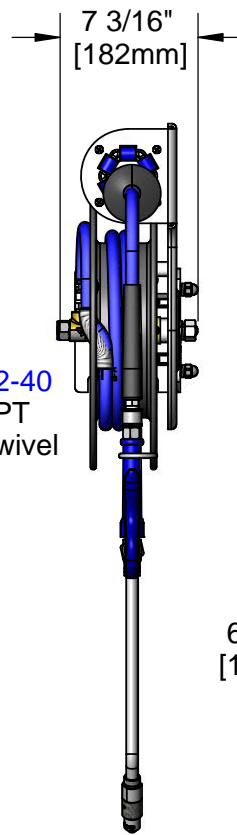
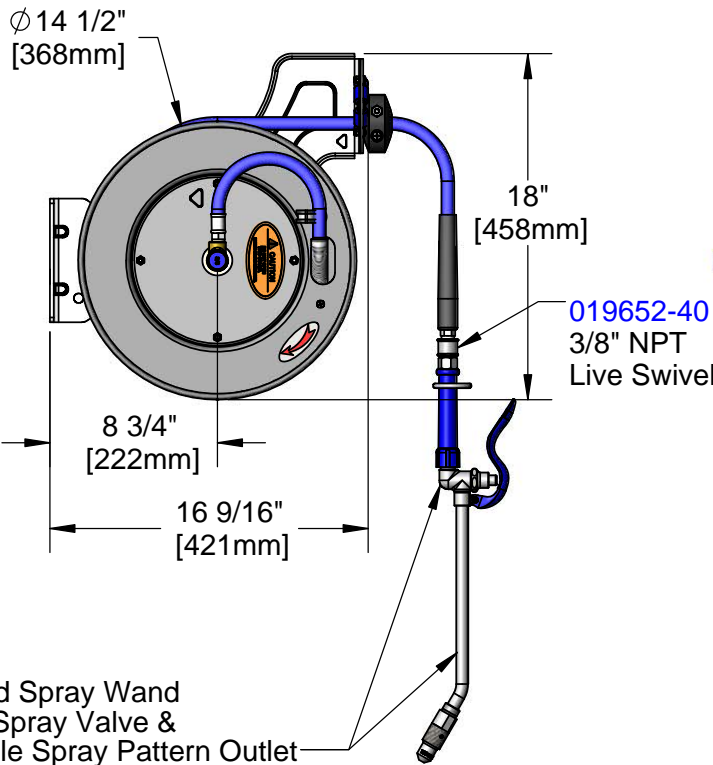
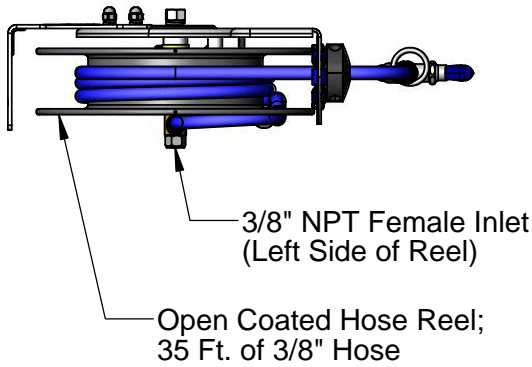
Job Name _____ Date _____

Model Specified _____ Quantity _____

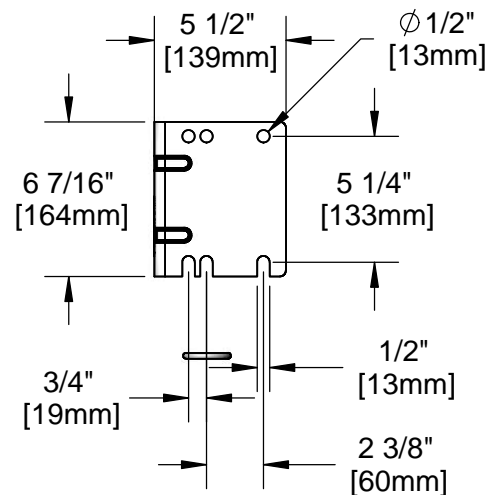
Customer/Wholesaler _____

Contractor _____

Architect/Engineer _____



Mounting Hole Details



EB-2322

Extended Spray Wand
 w/ Blue Spray Valve &
 Adjustable Spray Pattern Outlet

Product Specifications:
 3/8" x 35 Ft. Open Coated Reel w/ Extended Spray Wand &
 Blue Spray Valve w/ Swivel

Product Compliance:
 NSF 61 Exempt (Non-Potable)
 EPA Act 2005 Non-Compliant (PRSV)



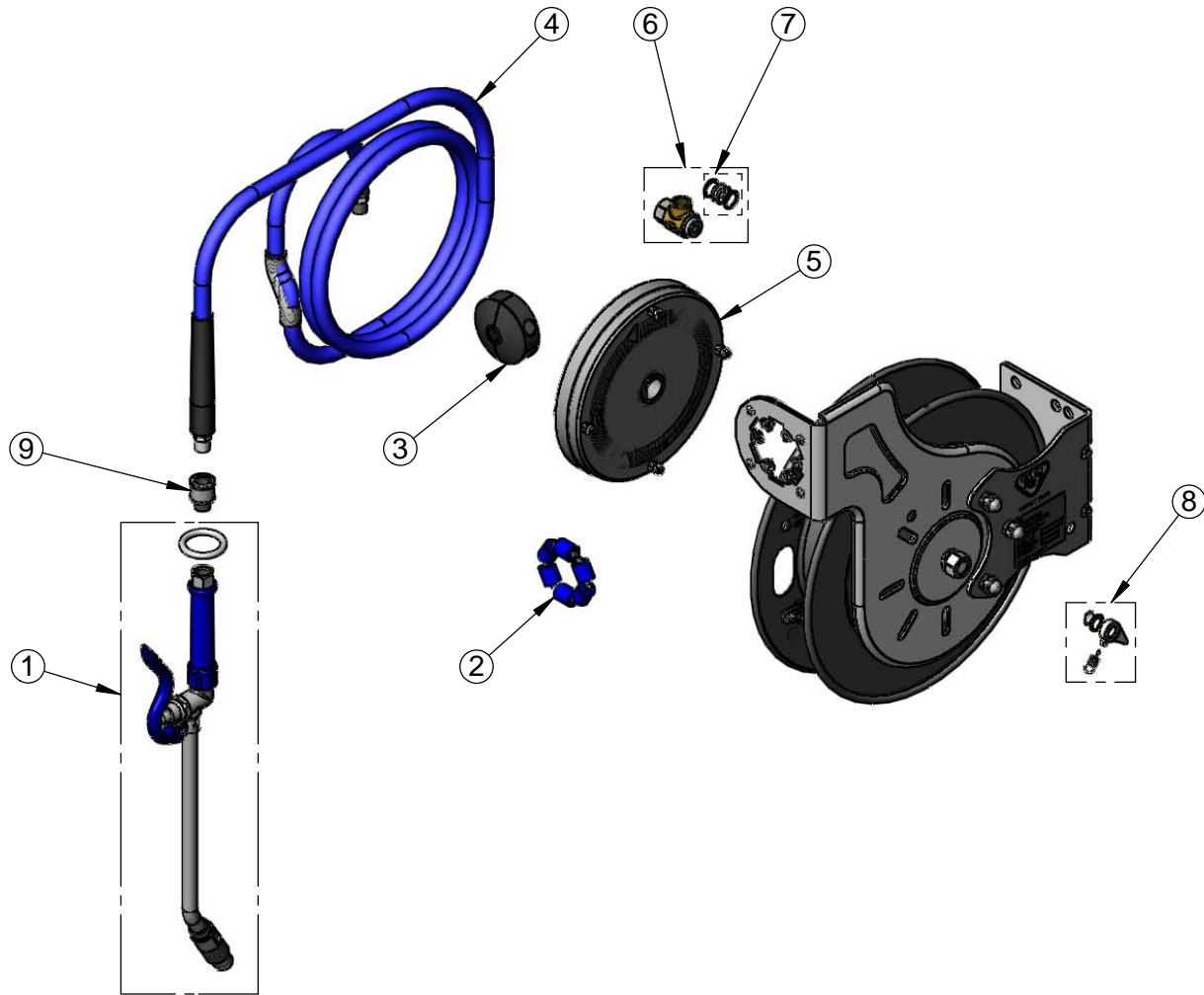
T&S BRASS AND BRONZE WORKS, INC.
 2 Saddleback Cove / P.O. Box 1088
 Travelers Rest, SC 29690

Model No.
B-7232-10

Item No.

Travelers Rest, SC: 800-476-4103 • Simi Valley, CA: 800-423-0150 • Fax: 864-834-3518 • www.tsbrass.com

| ITEM NO. | SALES NO. | DESCRIPTION |
|----------|---------------------------|---------------------------------|
| 1 | EB-2322 | Extended Wand Spray Valve |
| 2 | 014938-45 | Roller Assembly Repair Kit |
| 3 | 014949-45 | Hose Stop Repair Kit |
| 4 | 014941-45 | 3/8" x 35' Hose Replacement Kit |
| 5 | 014932-45 | Small Spring Assembly |
| 6 | 014946-45 | 3/8" Swivel Repair Kit |
| 7 | 014948-45 | O-Ring Replacement Kit |
| 8 | 014940-45 | Ratchet Repair Kit |
| 9 | 019652-40 | 3/8" NPT Live Swivel |



Product Specifications:
 3/8" x 35 Ft. Open Coated Reel w/ Extended Spray Wand &
 Blue Spray Valve w/ Swivel

Product Compliance:
 NSF 61 Exempt (Non-Potable)
 EPA Act 2005 Non-Compliant (PRSV)