



**T&S BRASS AND BRONZE WORKS, INC.**  
 2 Saddleback Cove / P.O. Box 1088  
 Travelers Rest, SC 29690

Model No.  
**B-7232-05-ESB48**

Item No.

Travelers Rest, SC: 800-476-4103 • Simi Valley, CA: 800-423-0150 • Fax: 864-834-3518 • www.tsbrass.com

This Space for Architect/Engineer Approval

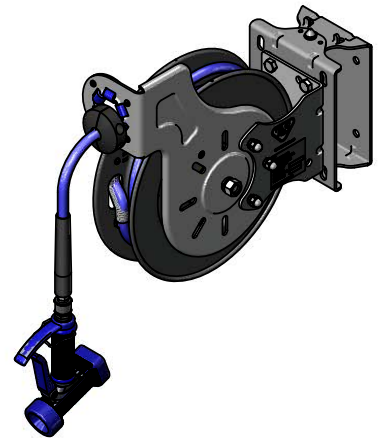
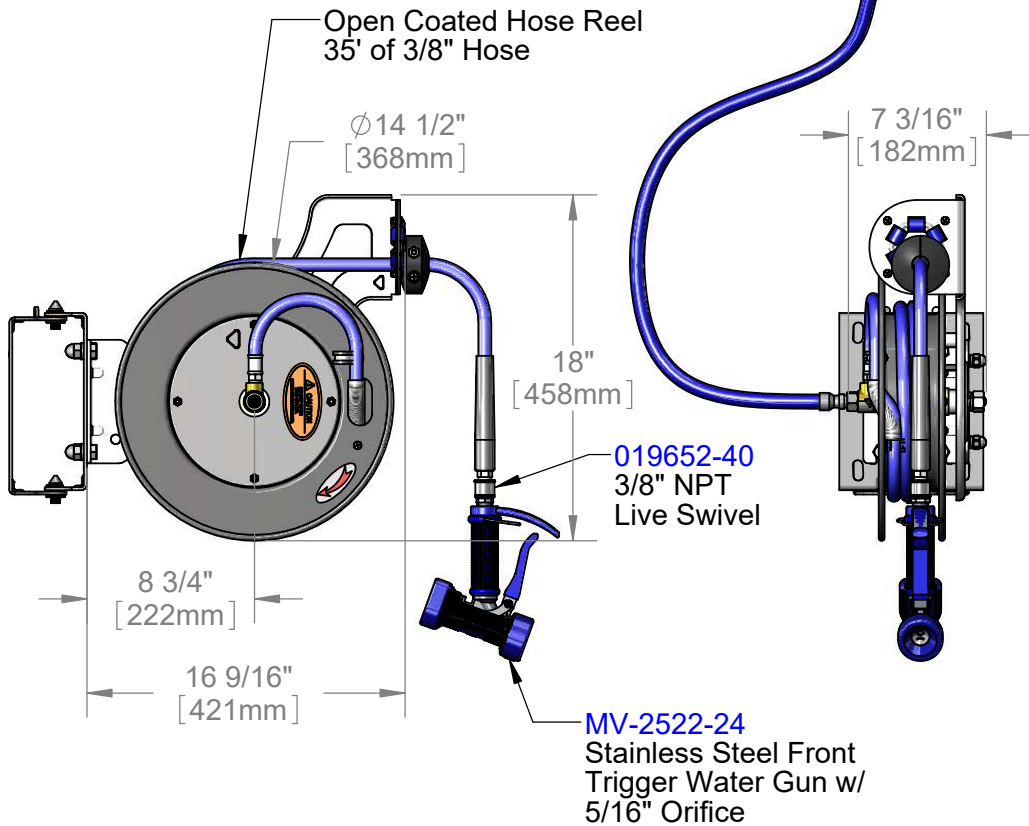
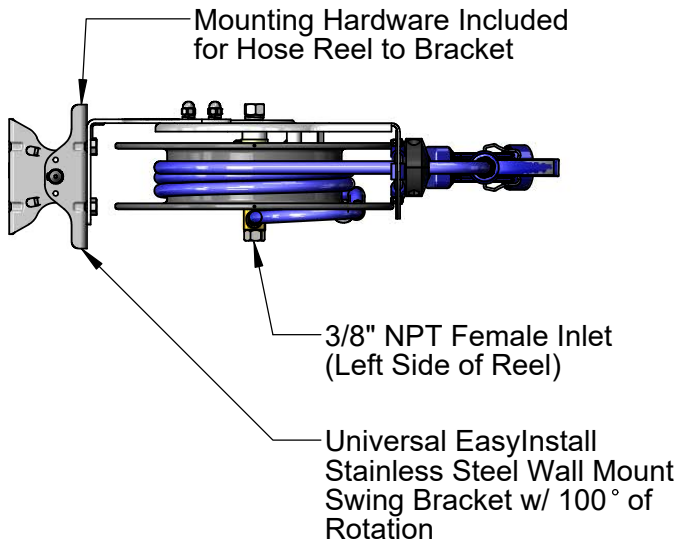
Job Name \_\_\_\_\_ Date \_\_\_\_\_

Model Specified \_\_\_\_\_ Quantity \_\_\_\_\_

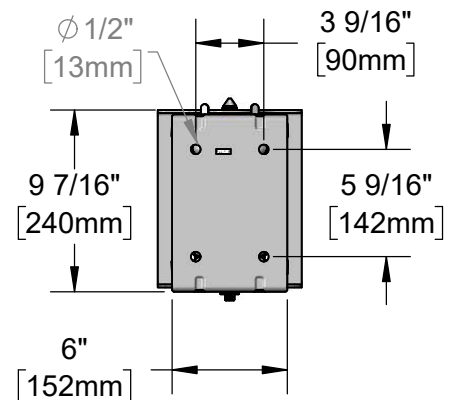
Customer/Wholesaler \_\_\_\_\_

Contractor \_\_\_\_\_

Architect/Engineer \_\_\_\_\_



Mounting Hole Details



Product Specifications:  
 3/8" x 35' Open Coated Reel & Stainless Steel Front Trigger Water Gun w/ Swivel, 5/16" Orifice, 3/8" NPT x 48" Flexible Water Connector & 100 Degree EasyInstall Stainless Steel Swing Bracket w/ Reel-to-Bracket Mounting Hardware

Product Compliance:  
 NSF 61 Exempt (Non-Potable)  
 EPA Act 2005 Non-Compliant (PRSV)



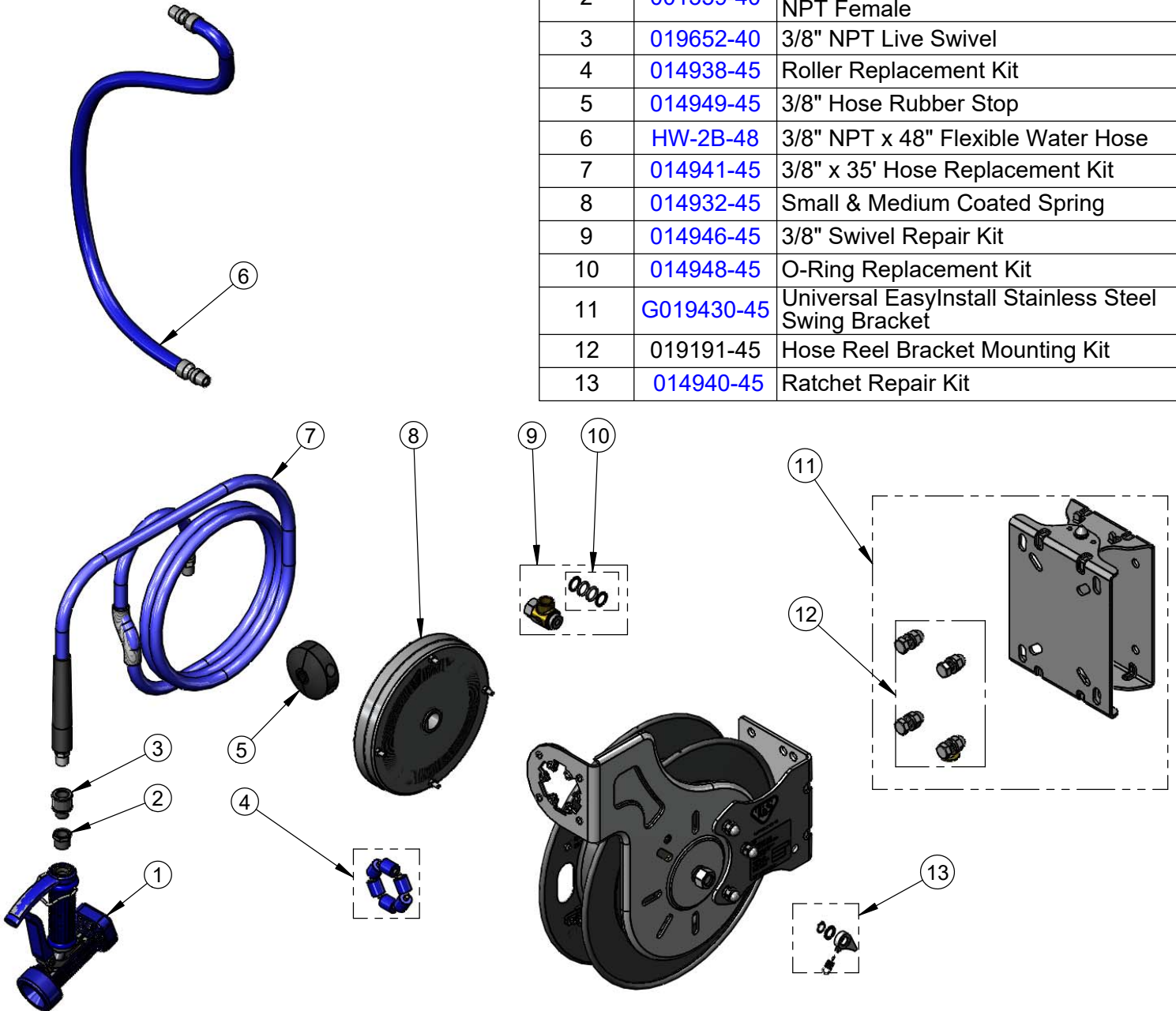
**T&S BRASS AND BRONZE WORKS, INC.**  
 2 Saddleback Cove / P.O. Box 1088  
 Travelers Rest, SC 29690

Model No.  
**B-7232-05-ESB48**

Item No.

Travelers Rest, SC: 800-476-4103 • Simi Valley, CA: 800-423-0150 • Fax: 864-834-3518 • www.tsbrass.com

ITEM NO.	SALES NO.	DESCRIPTION
1	<a href="#">MV-2522-24</a>	Front Trigger Gun, 5/16" Orifice
2	<a href="#">001359-40</a>	Hex Bushing, 1/2" NPT Male x 3/8" NPT Female
3	<a href="#">019652-40</a>	3/8" NPT Live Swivel
4	<a href="#">014938-45</a>	Roller Replacement Kit
5	<a href="#">014949-45</a>	3/8" Hose Rubber Stop
6	<a href="#">HW-2B-48</a>	3/8" NPT x 48" Flexible Water Hose
7	<a href="#">014941-45</a>	3/8" x 35' Hose Replacement Kit
8	<a href="#">014932-45</a>	Small & Medium Coated Spring
9	<a href="#">014946-45</a>	3/8" Swivel Repair Kit
10	<a href="#">014948-45</a>	O-Ring Replacement Kit
11	<a href="#">G019430-45</a>	Universal EasyInstall Stainless Steel Swing Bracket
12	<a href="#">019191-45</a>	Hose Reel Bracket Mounting Kit
13	<a href="#">014940-45</a>	Ratchet Repair Kit



**Product Specifications:**  
 3/8" x 35' Open Coated Reel & Stainless Steel Front Trigger Water Gun w/ Swivel, 5/16" Orifice, 3/8" NPT x 48" Flexible Water Connector & 100 Degree EasyInstall Stainless Steel Swing Bracket w/ Reel-to-Bracket Mounting Hardware

**Product Compliance:**  
 NSF 61 Exempt (Non-Potable)  
 EPA Act 2005 Non-Compliant (PRSV)