



**T&S BRASS AND BRONZE WORKS, INC.**  
 2 Saddleback Cove / P.O. Box 1088  
 Travelers Rest, SC 29690

Model No.  
**B-7232-01-PSB**

Item No.

Travelers Rest, SC: 800-476-4103 • Simi Valley, CA: 800-423-0150 • Fax: 864-834-3518 • www.tsbrass.com

This Space for Architect/Engineer Approval

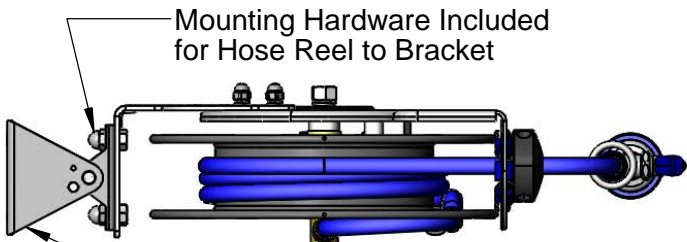
Job Name \_\_\_\_\_ Date \_\_\_\_\_

Model Specified \_\_\_\_\_ Quantity \_\_\_\_\_

Customer/Wholesaler \_\_\_\_\_

Contractor \_\_\_\_\_

Architect/Engineer \_\_\_\_\_



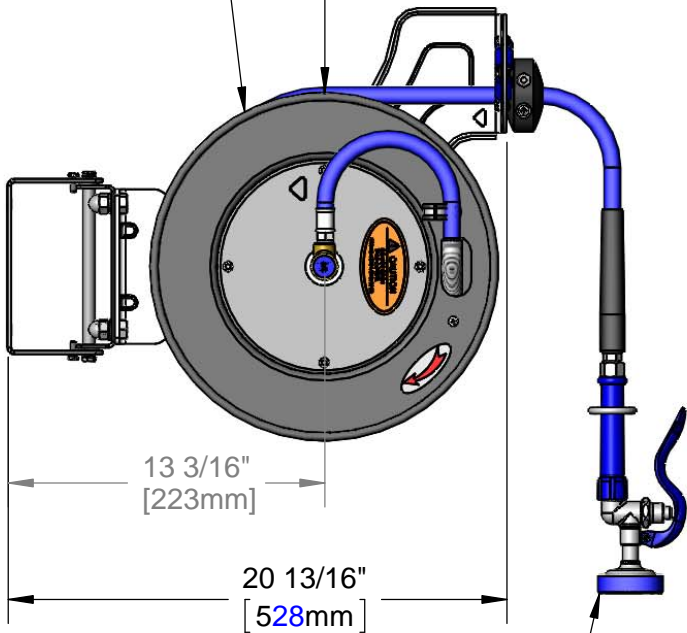
Mounting Hardware Included for Hose Reel to Bracket

3/8" NPT Female Inlet (Left Side of Reel)

Epoxy Coated Wall Mount Swing Bracket w/ 165° of Rotation

Epoxy Coated Open Hose Reel  
 35' of 3/8" Hose

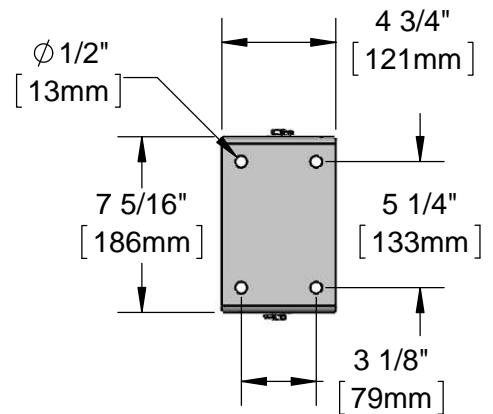
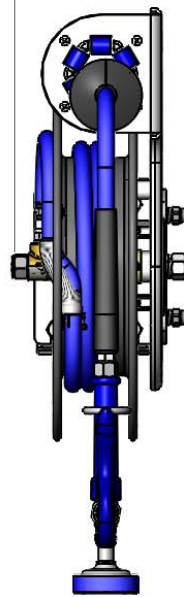
∅ 14 1/2" [368mm]



13 3/16" [223mm]

20 13/16" [528mm]

7 1/8" [164mm]



**EB-0107**  
 High Flow  
 Spray Valve

Product Specifications:  
 3/8" x 35' Epoxy Coated Open Reel, High Flow Spray Valve & 165 Degree Stainless Steel Swing Bracket w/ Mounting Hardware for Hose Reel to Bracket

Product Compliance:  
 NSF 61 Exempt (Non-Potable)  
 EPA Act 2005 Non-Compliant (PRSV)



# T&S BRASS AND BRONZE WORKS, INC.

2 Saddleback Cove / P.O. Box 1088  
Travelers Rest, SC 29690

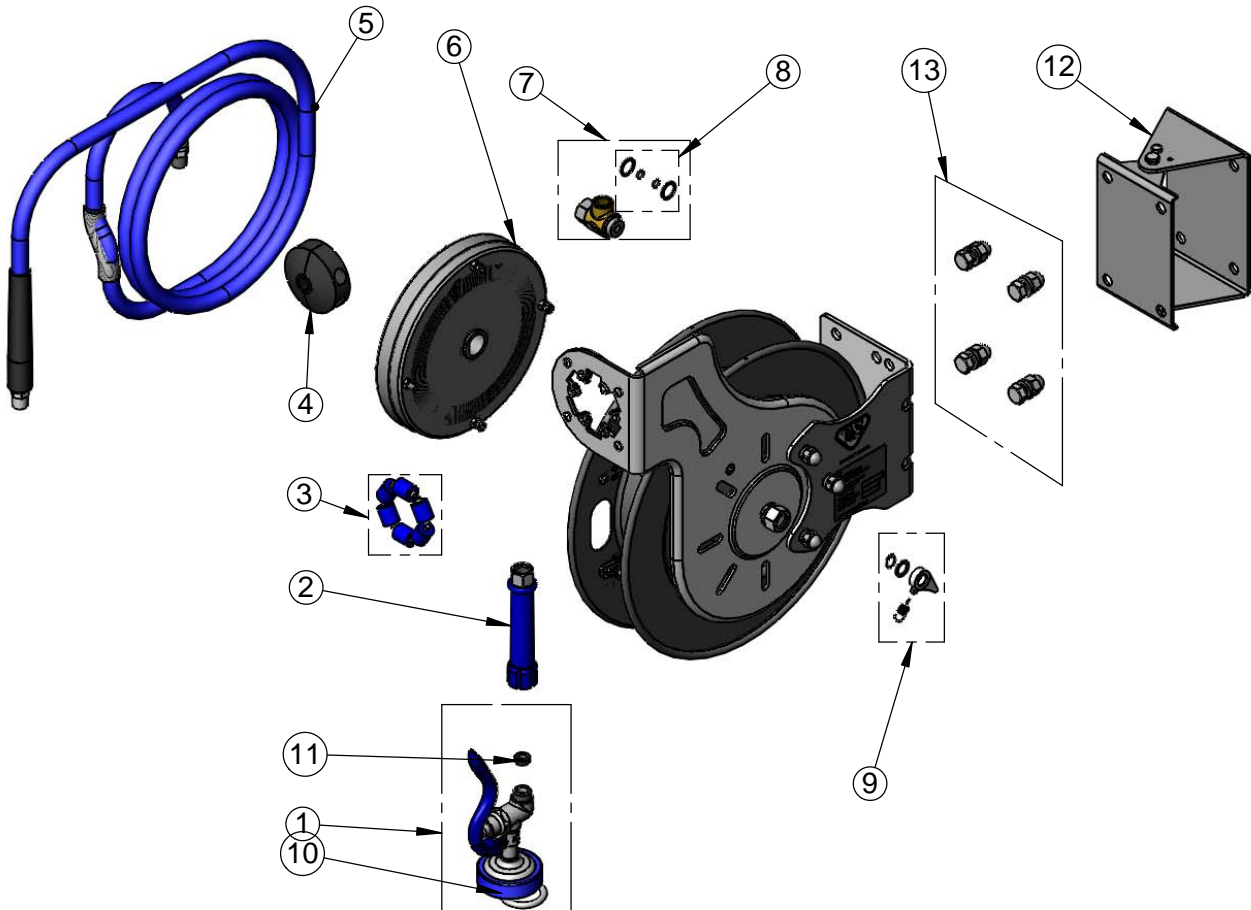
Model No.

**B-7232-01-PSB**

Item No.

Travelers Rest, SC: 800-476-4103 • Simi Valley, CA: 800-423-0150 • Fax: 864-834-3518 • www.tsbrass.com

ITEM NO.	SALES NO.	DESCRIPTION
1	<a href="#">EB-0107</a>	High Flow Spray Valve (Blue)
2	<a href="#">012504-40</a>	Grip Handle (Blue) w/ Washer
3	<a href="#">014936-45</a>	Roller Repair Kit
4	<a href="#">014949-45</a>	Hose Stop Repair Kit
5	<a href="#">014941-45</a>	3/8" x 35' Hose Replacement Kit
6	<a href="#">014933-45</a>	Small Stainless Steel Spring
7	<a href="#">014946-45</a>	3/8" Swivel Repair Kit
8	<a href="#">014948-45</a>	O-Ring Replacement Kit
9	<a href="#">014940-45</a>	Ratchet Repair Kit
10	<a href="#">000907-45</a>	Spray Valve Hold Down Ring
11	<a href="#">010476-45</a>	#27 Washer
12	<a href="#">G016636-45</a>	Epoxy Coated Swing Bracket
13	<a href="#">019191-45K</a>	Hose Reel Bracket Mounting Kit



**Product Specifications:**

3/8" x 35' Epoxy Coated Open Reel, High Flow Spray Valve & 165 Degree Stainless Steel Swing Bracket w/ Mounting Hardware for Hose Reel to Bracket

**Product Compliance:**

NSF 61 Exempt (Non-Potable)  
EPA Act 2005 Non-Compliant (PRSV)