



T&S BRASS AND BRONZE WORKS, INC.
 2 Saddleback Cove / P.O. Box 1088
 Travelers Rest, SC 29690

Model No.

B-7232-01-PPB

Item No.

Travelers Rest, SC: 800-476-4103 • Simi Valley, CA: 800-423-0150 • Fax: 864-834-3518 • www.tsbrass.com

This Space for Architect/Engineer Approval

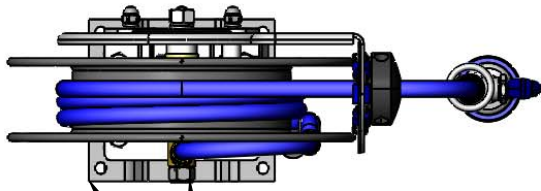
Job Name _____ Date _____

Model Specified _____ Quantity _____

Customer/Wholesaler _____

Contractor _____

Architect/Engineer _____



3/8" NPT Female Inlet
(Left Side of Reel)

Epoxy Coated Deck Mount
Pivot Bracket w/ 345° of
Rotation



Ø 14 1/2"
[368mm]

Epoxy Coated Open
Hose Reel
35' of 3/8" Hose

7 1/8"
[181mm]

21 9/16"
[548mm]

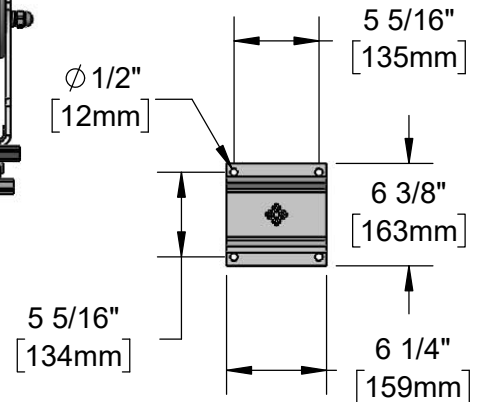
10 13/16"
[275mm]

019652-40
3/8" NPT
Live Swivel

EB-0107
High Flow
Spray Valve

Mounting Hardware
Included for Hose Reel
to Bracket

Mounting Hole Details



Product Specifications:

3/8" x 35' Epoxy Coated Open Reel, High Flow Spray Valve & 345 Degree Epoxy Coated Pivot Deck Mount Bracket w/ Mounting Hardware for Hose Reel to Bracket

Product Compliance:

NSF 61 Exempt (Non-Potable)
2019 DOE PRSV Non-Compliant



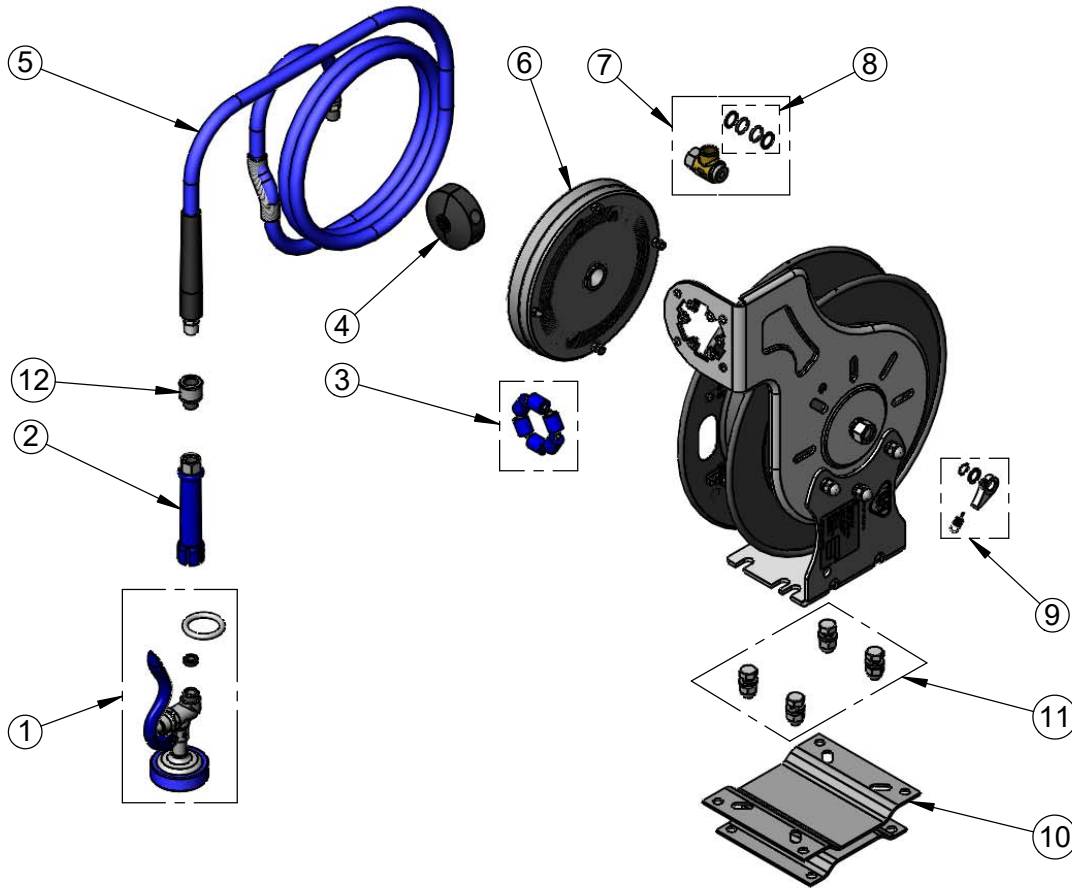
T&S BRASS AND BRONZE WORKS, INC.
 2 Saddleback Cove / P.O. Box 1088
 Travelers Rest, SC 29690

Model No.
B-7232-01-PPB

Item No.

Travelers Rest, SC: 800-476-4103 • Simi Valley, CA: 800-423-0150 • Fax: 864-834-3518 • www.tsbrass.com

ITEM NO.	SALES NO.	DESCRIPTION
1	EB-0107	High Flow Spray Valve (Blue)
2	012504-40	Grip Handle (Blue) w/ Washer
3	014936-45	Roller Repair Kit
4	014949-45	Hose Stop Repair Kit
5	014941-45	3/8" x 35' Hose Replacement Kit
6	014932-45	Small Epoxy Coated Spring
7	014946-45	3/8" Swivel Repair Kit
8	014948-45	O-Ring Replacement Kit
9	014940-45	Ratchet Repair Kit
10	G016652-45	Epoxy Coated Pivot Bracket
11	019191-45K	Hose Reel Bracket Mounting Kit
12	019652-40	3/8" NPT Live Swivel



Product Specifications:
 3/8" x 35' Epoxy Coated Open Reel, High Flow Spray Valve &
 345 Degree Epoxy Coated Pivot Deck Mount Bracket
 w/ Mounting Hardware for Hose Reel to Bracket

Product Compliance:
 NSF 61 Exempt (Non-Potable)
 2019 DOE PRSV Non-Compliant