



T&S BRASS AND BRONZE WORKS, INC.
 2 Saddleback Cove / P.O. Box 1088
 Travelers Rest, SC 29690

Model No.
B-7232-01-ESB36

Item No.

Travelers Rest, SC: 800-476-4103 • Simi Valley, CA: 800-423-0150 • Fax: 864-834-3518 • www.tsbrass.com

This Space for Architect/Engineer Approval

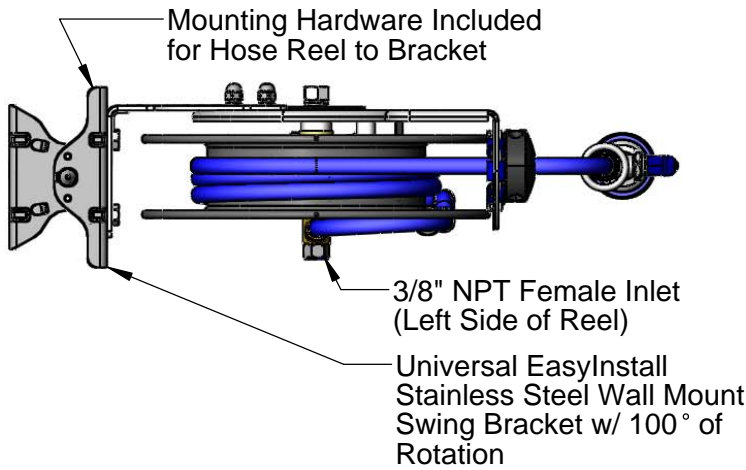
Job Name _____ Date _____

Model Specified _____ Quantity _____

Customer/Wholesaler _____

Contractor _____

Architect/Engineer _____



HW-2B-36
 3/8" NPT x 36"
 Flexible Water Connector

Epoxy Coated Open Hose Reel w/ 35' of 3/8" Hose

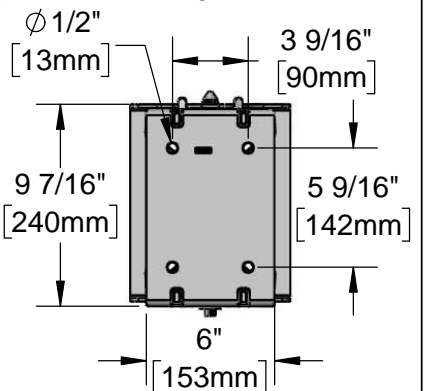
Ø 14 1/2"
 [368mm]

7 1/8"
 [181mm]

019652-40
 3/8" NPT Live Swivel

EB-0107
 High Flow Spray Valve (Blue)

Mounting Hole Details



Product Specifications:

3/8" x 35' Epoxy Coated Open Reel, High Flow Spray Valve & Swivel, 3/8" NPT x 36" Flexible Water Connector & 100 Degree EasyInstall Stainless Steel Swing Bracket w/ Reel-to-Bracket Mounting Hardware

Product Compliance:

NSF 61 Exempt (Non-Potable)
 EPAAct 2005 Non-Compliant (PRSV)



T&S BRASS AND BRONZE WORKS, INC.

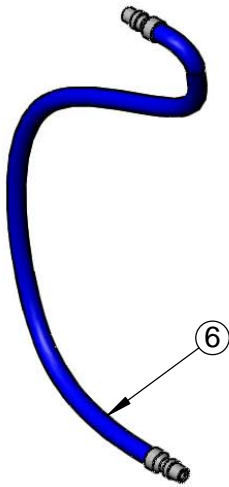
2 Saddleback Cove / P.O. Box 1088
Travelers Rest, SC 29690

Model No.

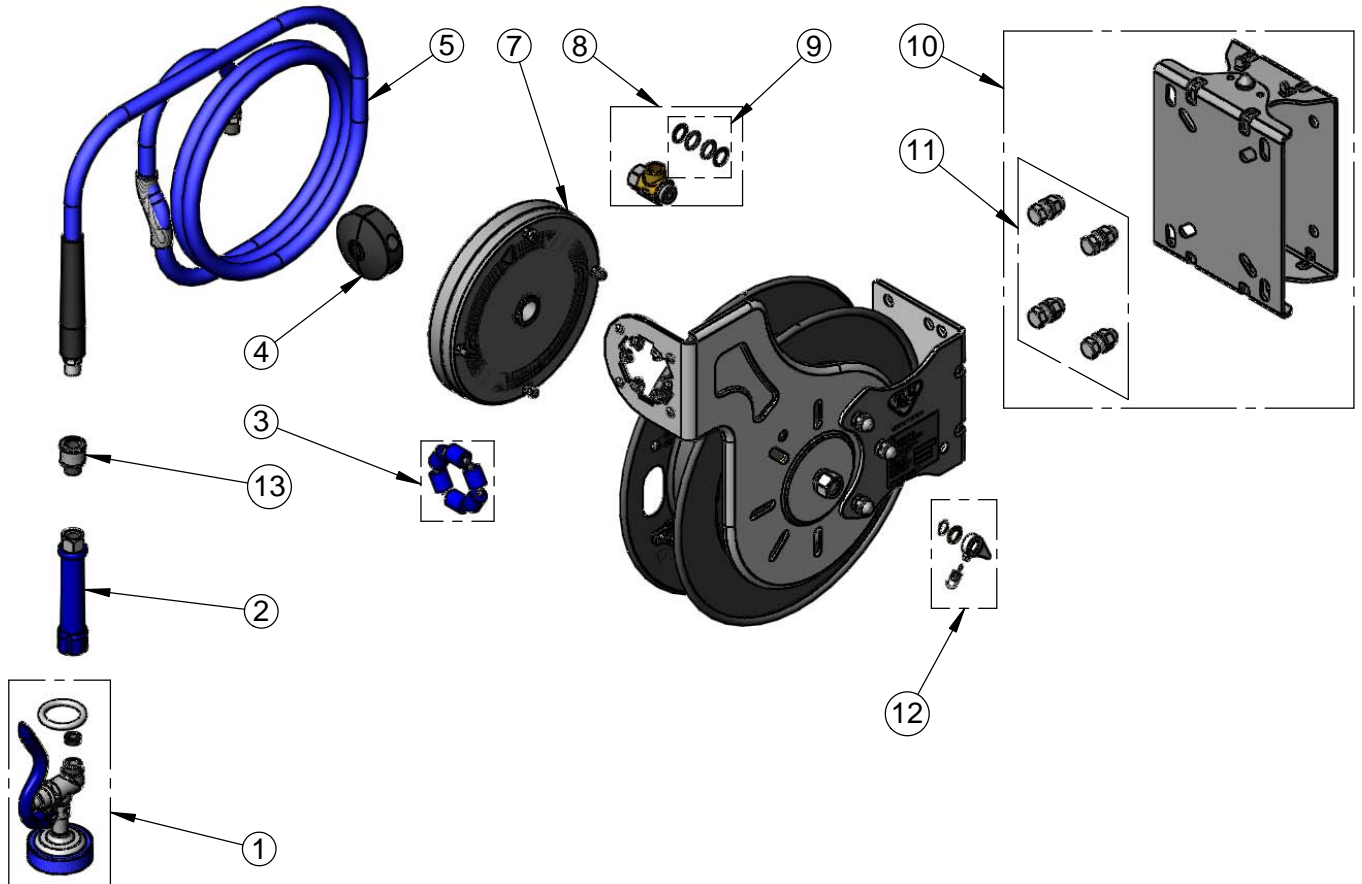
B-7232-01-ESB36

Item No.

Travelers Rest, SC: 800-476-4103 • Simi Valley, CA: 800-423-0150 • Fax: 864-834-3518 • www.tsbrass.com



| ITEM NO. | SALES NO. | DESCRIPTION |
|----------|----------------------------|---|
| 1 | EB-0107 | High Flow Spray Valve (Blue) |
| 2 | 012504-45 | Blue Grip Handle, 3/8" NPT |
| 3 | 014938-45 | Roller Repair Kit |
| 4 | 014949-45 | 3/8" Hose Rubber Stop |
| 5 | 014941-45 | 35' x 3/8" Hose |
| 6 | HW-2B-36 | 3/8" NPT x 36" Flexible Water Hose |
| 7 | 014933-45 | Small Stainless Steel Spring |
| 8 | 014946-45 | 3/8" Swivel Repair Kit |
| 9 | 014948-45 | O-Ring Replacement Kit |
| 10 | G019430-45 | Universal EasyInstall Stainless Steel Swing Bracket |
| 11 | 019191-45K | Hose Reel Bracket Mounting Kit |
| 12 | 014940-45 | Ratchet Repair Kit |
| 13 | 019652-40 | 3/8" NPT Live Swivel |



Product Specifications:

3/8" x 35' Epoxy Coated Open Reel, High Flow Spray Valve & Swivel,
3/8" NPT x 36" Flexible Water Connector & 100 Degree EasyInstall Stainless
Steel Swing Bracket w/ Reel-to-Bracket Mounting Hardware

Product Compliance:

NSF 61 Exempt (Non-Potable)
EPA Act 2005 Non-Compliant (PRSV)