



T&S BRASS AND BRONZE WORKS, INC.
 2 Saddleback Cove / P.O. Box 1088
 Travelers Rest, SC 29690

Model No.
B-7222-C05

Item No.

Travelers Rest, SC: 800-476-4103 • Simi Valley, CA: 800-423-0150 • Fax: 864-834-3518 • www.tsbrass.com

This Space for Architect/Engineer Approval

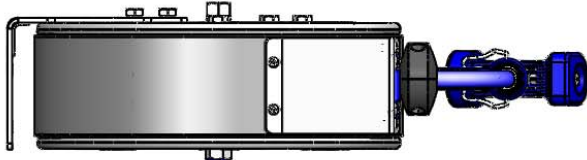
Job Name _____ Date _____

Model Specified _____ Quantity _____

Customer/Wholesaler _____

Contractor _____

Architect/Engineer _____

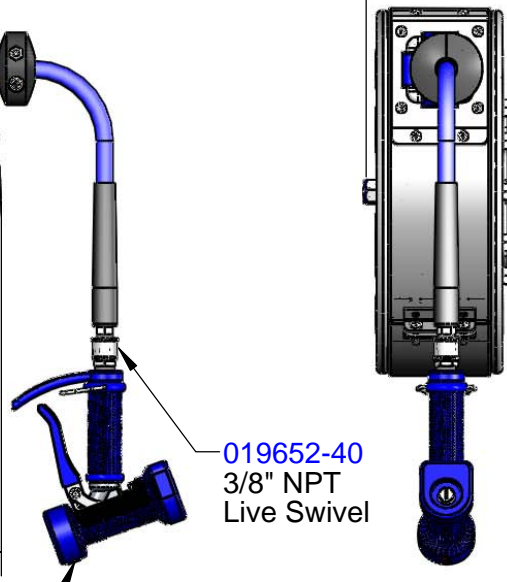
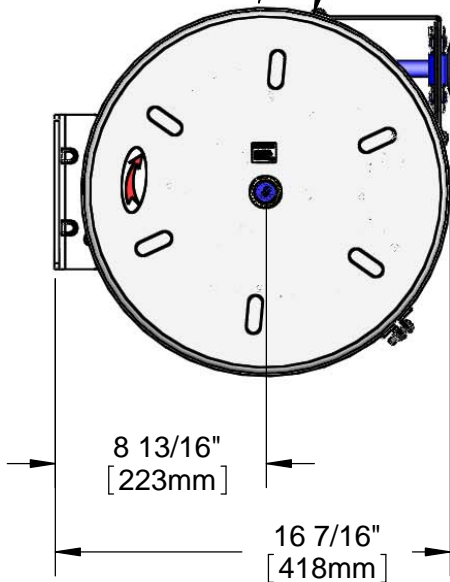
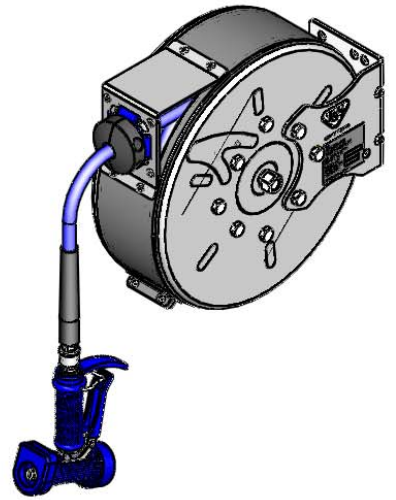


3/8" NPT Female
 Inlet (Left Side of
 Reel)

Enclosed Coated Hose Reel;
 30 Ft. of 3/8" Hose

Ø 15 3/8"
 [390mm]

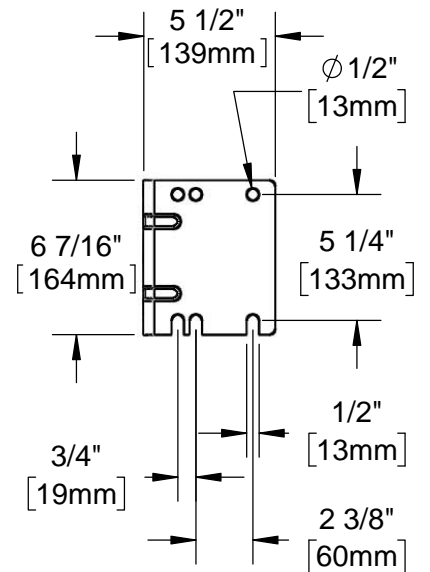
6 1/2"
 [166mm]



019652-40
 3/8" NPT
 Live Swivel

MV-2522-24 Front Trigger Style
 Gun w/ Stainless Steel Body
 and Royal Blue Rubber Cover.

Mounting Hole Details



Product Specifications:
 Hose Reel System:
 3/8" x 30 Ft. Enclosed Coated Reel, Front Trigger Spray Valve & Swivel
 5/16" Orifice

Product Compliance:
 NSF 61 Exempt (Non-Potable)
 EPA Act 2005 Non-Compliant (PRSV)



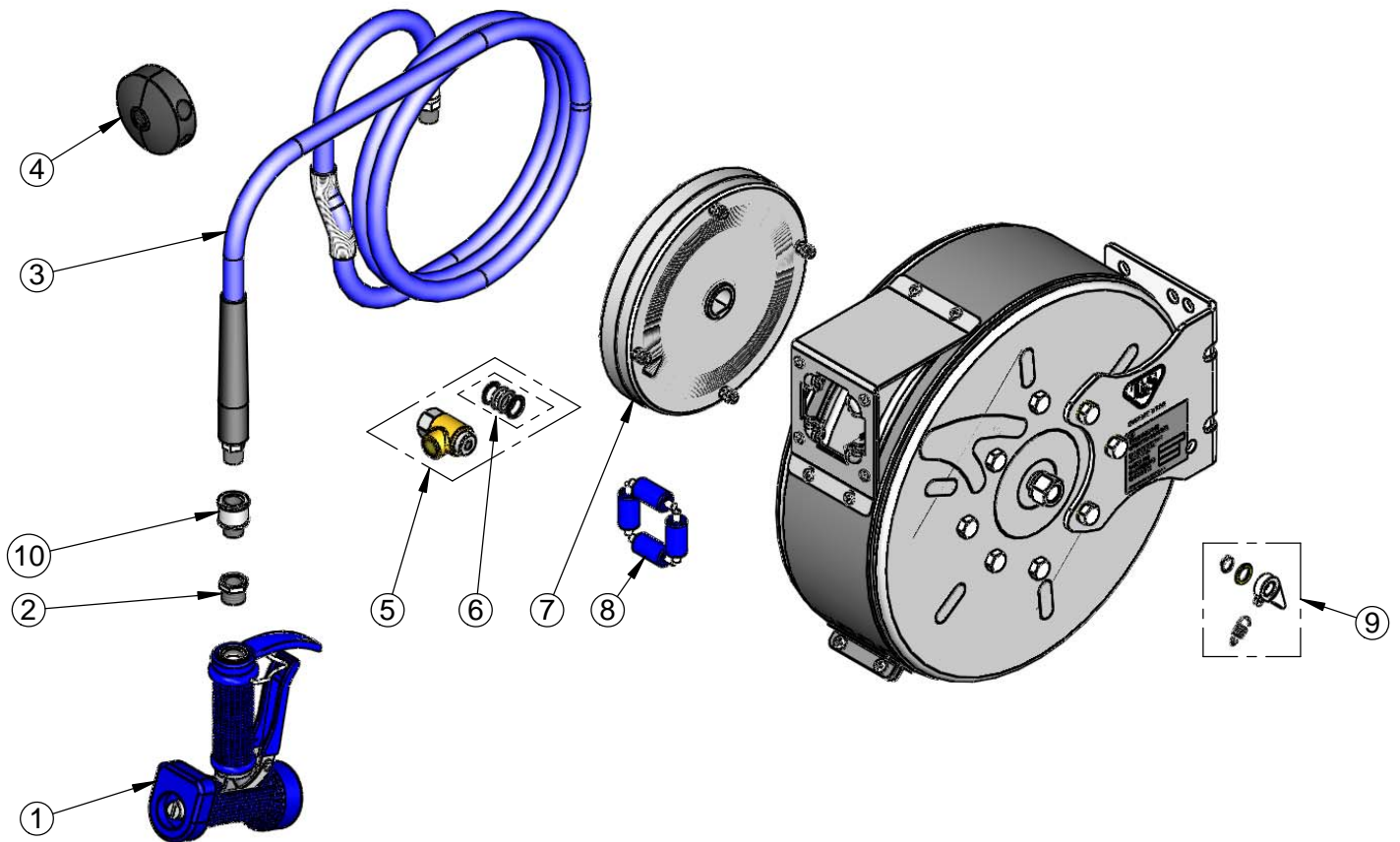
T&S BRASS AND BRONZE WORKS, INC.
 2 Saddleback Cove / P.O. Box 1088
 Travelers Rest, SC 29690

Model No.
B-7222-C05

Item No.

Travelers Rest, SC: 800-476-4103 • Simi Valley, CA: 800-423-0150 • Fax: 864-834-3518 • www.tsbrass.com

ITEM NO.	SALES NO.	DESCRIPTION
1	MV-2522-24	Front Trigger Gun, 5/16" Orifice
2	001359-40	Hex Bushing, 1/2" NPT Male x 3/8" NPT Female
3	014943-45	3/8" x 30' Hose Replacement Kit
4	014949-45	Hose Stop Repair Kit
5	014946-45	3/8" Swivel Repair Kit
6	014948-45	O-Ring Replacement Kit
7	014932-45	Small Coated Spring Assembly
8	014936-45	Roller Replacement Kit
9	014940-45	Ratchet Repair Kit
10	019652-40	3/8" NPT Live Swivel



Product Specifications:
 Hose Reel System:
 3/8" x 30 Ft. Enclosed Coated Reel, Front Trigger Spray Valve & Swivel
 5/16" Orifice

Product Compliance:
 NSF 61 Exempt (Non-Potable)
 EPA 2005 Non-Compliant (PRSV)