



**T&S BRASS AND BRONZE WORKS, INC.**  
 2 Saddleback Cove / P.O. Box 1088  
 Travelers Rest, SC 29690

Model No.  
**B-7222-C02**

Item No.

Travelers Rest, SC: 800-476-4103 • Simi Valley, CA: 800-423-0150 • Fax: 864-834-3518 • www.tsbrass.com

This Space for Architect/Engineer Approval

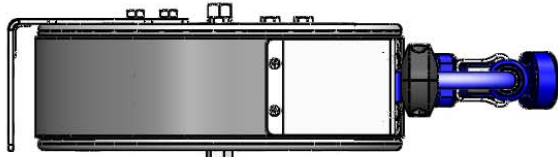
Job Name \_\_\_\_\_ Date \_\_\_\_\_

Model Specified \_\_\_\_\_ Quantity \_\_\_\_\_

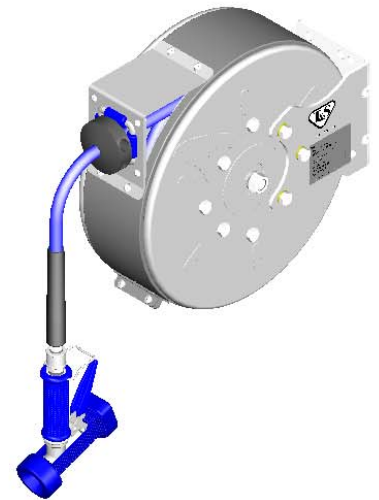
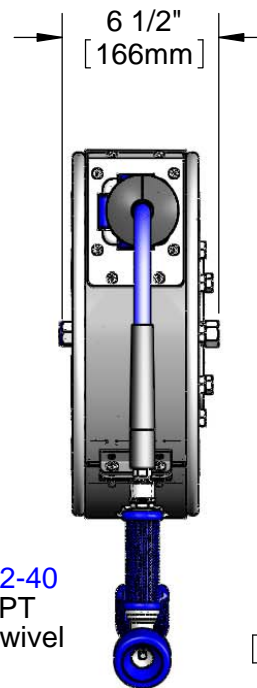
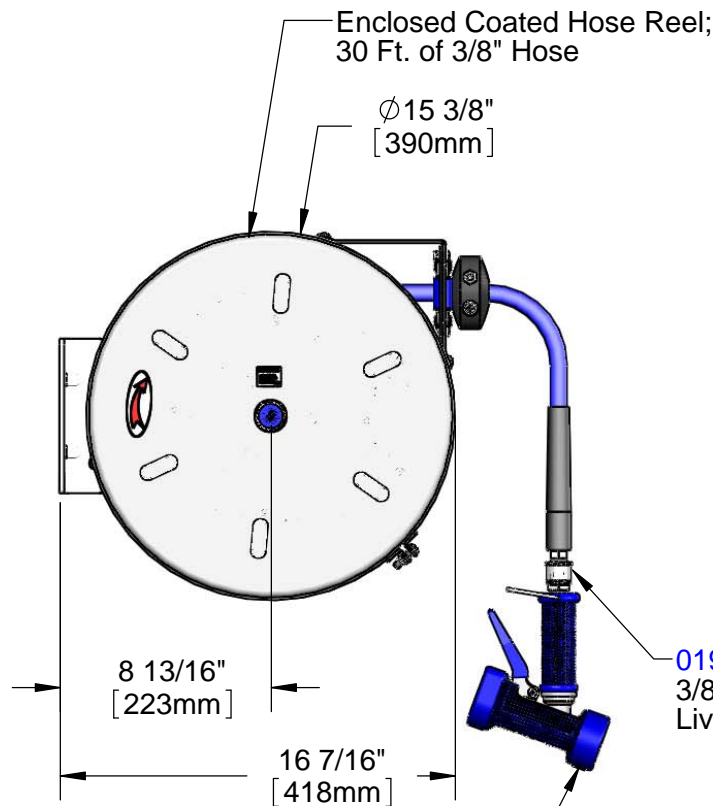
Customer/Wholesaler \_\_\_\_\_

Contractor \_\_\_\_\_

Architect/Engineer \_\_\_\_\_



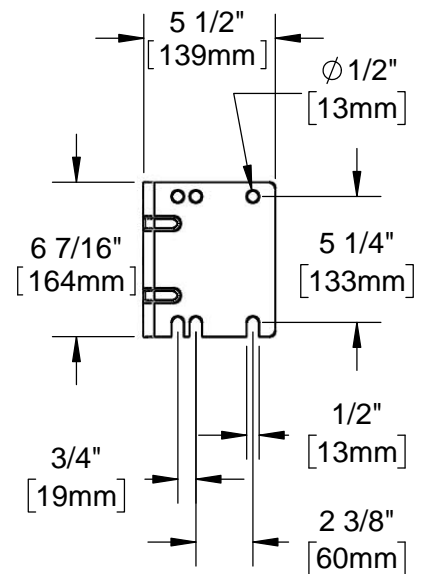
3/8" NPT Female Inlet (Left Side of Reel)



019652-40  
 3/8" NPT Live Swivel

MV-2516-24 Rear Trigger Style Gun w/ Hold Down Clip, Stainless Steel Body and Royal Blue Rubber Cover.

Mounting Hole Details



Product Specifications:  
 3/8" x 30 Ft. Enclosed Coated Reel, w/ Rear Trigger Water Gun & Swivel, 5/16" Orifice

Product Compliance:  
 NSF 61 Exempt (Non-Potable)  
 EPA Act 2005 Non-Compliant (PRSV)



# T&S BRASS AND BRONZE WORKS, INC.

2 Saddleback Cove / P.O. Box 1088  
Travelers Rest, SC 29690

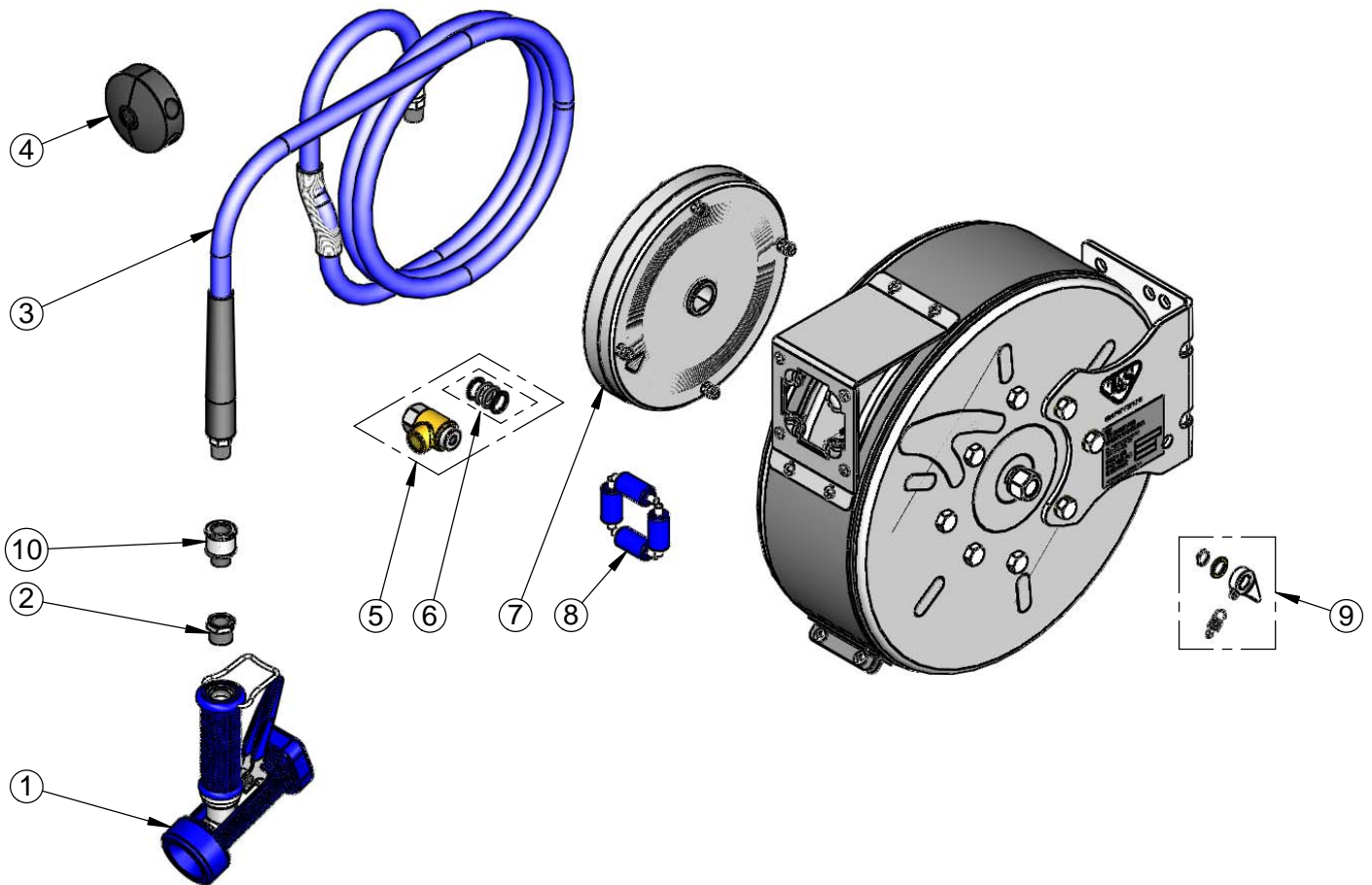
Model No.

**B-7222-C02**

Item No.

Travelers Rest, SC: 800-476-4103 • Simi Valley, CA: 800-423-0150 • Fax: 864-834-3518 • www.tsbrass.com

ITEM NO.	SALES NO.	DESCRIPTION
1	<a href="#">MV-2516-24</a>	Rear Trigger Gun, 5/16" Orifice
2	<a href="#">001359-40</a>	Hex Bushing, 1/2" NPT Male x 3/8" NPT Female
3	<a href="#">014943-45</a>	3/8" x 30' Hose Replacement Kit
4	<a href="#">014949-45</a>	Hose Stop Repair Kit
5	<a href="#">014946-45</a>	3/8" Swivel Repair Kit
6	<a href="#">014948-45</a>	O-Ring Replacement Kit
7	<a href="#">014932-45</a>	Small Coated Spring Assembly
8	<a href="#">014936-45</a>	Roller Replacement Kit
9	<a href="#">014940-45</a>	Ratchet Repair Kit
10	<a href="#">019652-40</a>	3/8" NPT Live Swivel



**Product Specifications:**

3/8" x 30 Ft. Enclosed Coated Reel, w/ Rear Trigger Water Gun & Swivel, 5/16" Orifice

**Product Compliance:**

NSF 61 Exempt (Non-Potable)  
EPA Act 2005 Non-Compliant (PRSV)