



T&S BRASS AND BRONZE WORKS, INC.

2 Saddleback Cove / P.O. Box 1088
Travelers Rest, SC 29690

Model No.

B-7222-C01-PPB

Item No.

Travelers Rest, SC: 800-476-4103 • Simi Valley, CA: 800-423-0150 • Fax: 864-834-3518 • www.tsbrass.com

This Space for Architect/Engineer Approval

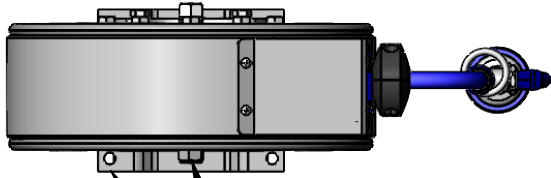
Job Name _____ Date _____

Model Specified _____ Quantity _____

Customer/Wholesaler _____

Contractor _____

Architect/Engineer _____

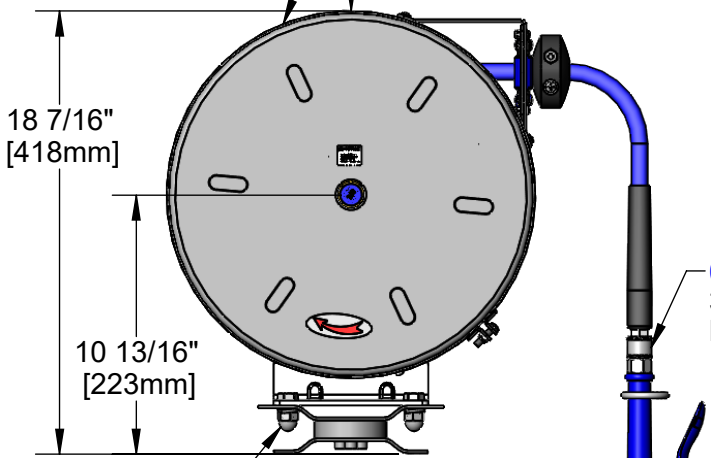
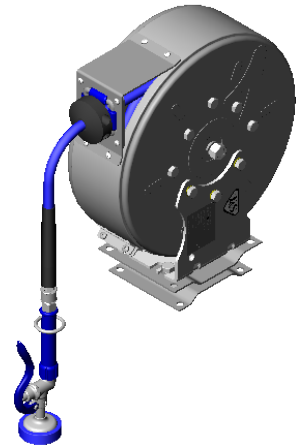


3/8" NPT Female Inlet
(Left Side of Reel)

Epoxy Coated Deck Mount
Pivot Bracket w/ 345° of
Rotation

Enclosed Epoxy
Coated Hose Reel
30' of 3/8" Hose

Ø 15 3/8"
[390mm]



18 7/16"
[418mm]

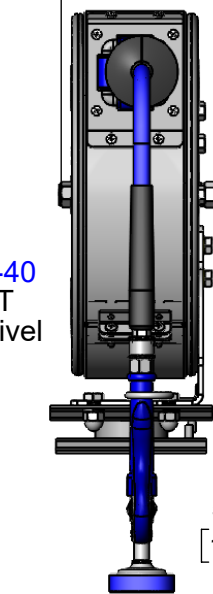
10 13/16"
[223mm]

Mounting Hardware Included
for Hose Reel to Bracket

019652-40
3/8" NPT
Live Swivel

EB-0107
High Flow
Spray Valve

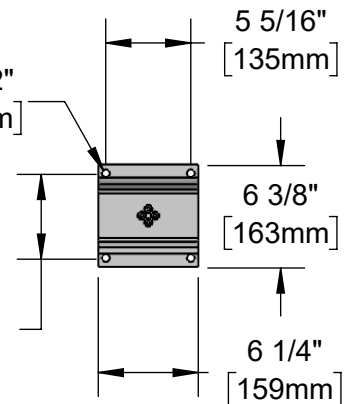
6 1/2"
[164mm]



5 5/16"
[134mm]

Mounting Hole Details

Ø 1/2"
[12mm]



5 5/16"
[135mm]

6 3/8"
[163mm]

6 1/4"
[159mm]

Product Specifications:

3/8" x 30' Enclosed Epoxy Coated Reel, High Flow Spray Valve & 345 Degree Epoxy Coated Pivot Deck Mount Bracket w/ Mounting Hardware for Hose Reel to Bracket

Product Compliance:

NSF 61 Exempt (Non-Potable)
EPA Act 2005 Non-Compliant (PRSV)



T&S BRASS AND BRONZE WORKS, INC.

2 Saddleback Cove / P.O. Box 1088
Travelers Rest, SC 29690

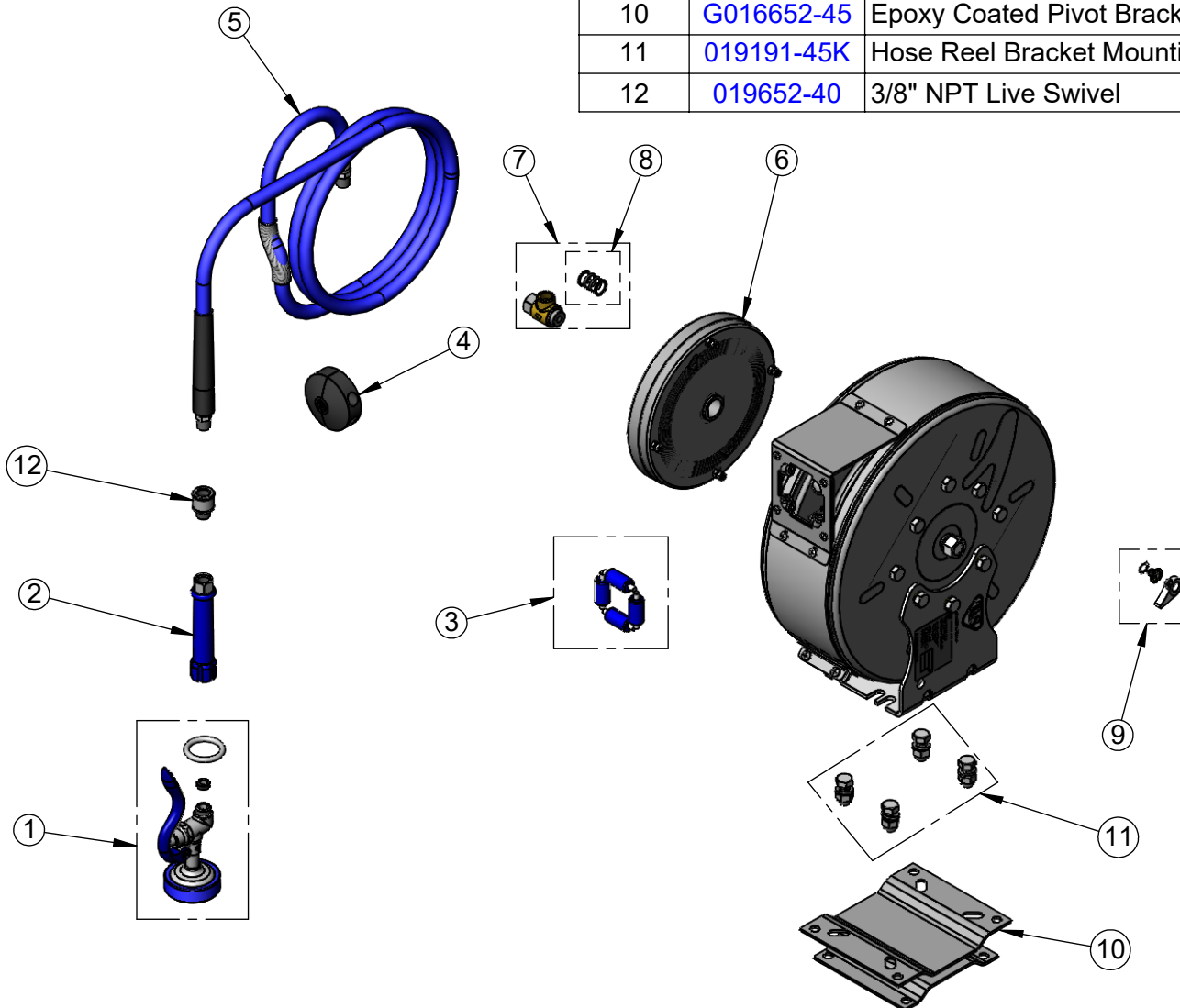
Model No.

B-7222-C01-PPB

Item No.

Travelers Rest, SC: 800-476-4103 • Simi Valley, CA: 800-423-0150 • Fax: 864-834-3518 • www.tsbrass.com

| ITEM NO. | SALES NO. | DESCRIPTION |
|----------|----------------------------|---------------------------------|
| 1 | EB-0107 | High Flow Spray Valve (Blue) |
| 2 | 012504-40 | Grip Handle (Blue) w/ Washer |
| 3 | 014936-45 | Roller Repair Kit |
| 4 | 014949-45 | Hose Stop Repair Kit |
| 5 | 014943-45 | 3/8" x 30' Hose Replacement Kit |
| 6 | 014933-45 | Small Stainless Steel Spring |
| 7 | 014946-45 | 3/8" Swivel Repair Kit |
| 8 | 014948-45 | O-Ring Replacement Kit |
| 9 | 014940-45 | Ratchet Repair Kit |
| 10 | G016652-45 | Epoxy Coated Pivot Bracket |
| 11 | 019191-45K | Hose Reel Bracket Mounting Kit |
| 12 | 019652-40 | 3/8" NPT Live Swivel |



Product Specifications:

3/8" x 30' Enclosed Epoxy Coated Reel, High Flow Spray Valve & 345 Degree Epoxy Coated Pivot Deck Mount Bracket w/ Mounting Hardware for Hose Reel to Bracket

Product Compliance:

NSF 61 Exempt (Non-Potable)
EPA Act 2005 Non-Compliant (PRSV)