



T&S BRASS AND BRONZE WORKS, INC.
 2 Saddleback Cove / P.O. Box 1088
 Travelers Rest, SC 29690

Model No.

B-7212-U01XS3

Item No.

Travelers Rest, SC: 800-476-4103 • Simi Valley, CA: 800-423-0150 • Fax: 864-834-3518 • www.tsbrass.com

This Space for Architect/Engineer Approval

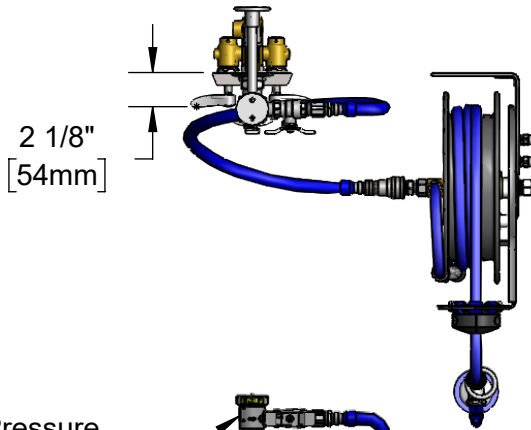
Job Name _____ Date _____

Model Specified _____ Quantity _____

Customer/Wholesaler _____

Contractor _____

Architect/Engineer _____



B-0963

Continuous Pressure Vacuum Breaker w/ Integral Check Valve

B-0109-01

Wall Bracket

3/8" NPT x 36" Flexible Water Connector

EasyInstall

3/8" NPT x 18" Riser

Swivel Elbow w/ ϕ 2" [51mm] Flange, 1/2" NPT Female Inlet

3/8" NPT x 22" Risers

Control Valve w/ ϕ 2 3/4" [70mm] Flange

3/8" NPT x 12" Riser

Stainless Steel Quick Disconnect

Open Coated Hose Reel w/ 15' of 3/8" Hose

EB-0107

High Flow Spray Valve (Blue)

019652-40

3/8" NPT Live Swivel

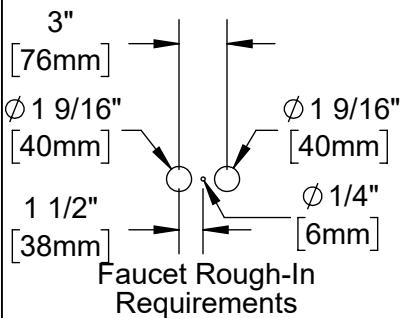
25" [635mm]

23 15/16" [608mm]

Mounting Surface

13 1/2" [342mm]

1/2 NPT Female Check Valves



5 1/2" [139mm]

2 3/8" [60mm]

6 7/16" [164mm]

3/4" [19mm]

7 5/8" [194mm]

ϕ 1/2" TYP [13mm]

5 1/4" [133mm]

1/2" TYP [13mm]

3" Concealed Mixing Faucet w/ Lever Handles & Color Coded Indexes

Product Specifications:

Open Coated Hose Reel w/ 15' of 3/8" Hose, High Flow Spray Valve (Blue) w/ Swivel, Vacuum Breaker, 3/8" NPT Flexible Water Connector, 3" Concealed Mixing Faucet & Control Valve

Product Compliance:

NSF 61 Exempt (Non-Potable)
 2019 DOE PRSV Non-Compliant
 ASSE 1056 (VB)



T&S BRASS AND BRONZE WORKS, INC.

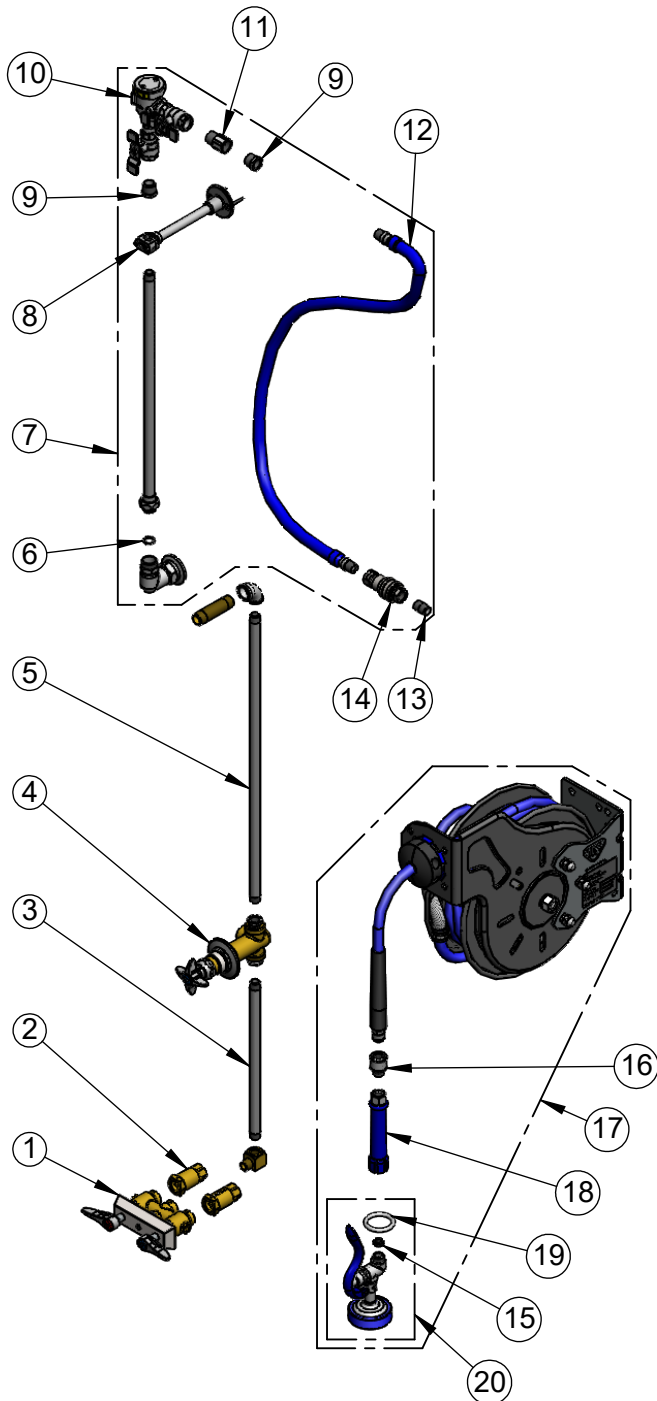
2 Saddleback Cove / P.O. Box 1088
Travelers Rest, SC 29690

Model No.

B-7212-U01XS3

Item No.

Travelers Rest, SC: 800-476-4103 • Simi Valley, CA: 800-423-0150 • Fax: 864-834-3518 • www.tsbrass.com



ITEM NO.	SALES NO.	DESCRIPTION
1	B-0513	3" Concealed Mixing Faucet
2	B-CVH1-2	1/2" NPT Female Check Valve
3	145X	Nipple, 3/8" NPT x 12"
4	0RK2	Control Valve
5	000371-40	3/8" NPT x 22" Riser
6	014200-45	Star Washer, Anti-Rotation
7	0RK-SK	Hose Reel Connector Kit
8	B-0109-01	Wall Bracket
9	001359-40	Hex Bushing, 1/2" NPT Male x 3/8" NPT Female
10	B-0963	Vacuum Breaker 1/2" NPT Female
11	015073-40	Check Valve w/ 1/2" NPT Adapter
12	HW-2B-36	3/8" NPT x 36" Flexible Water Hose
13	002535-25	3/8" Close Nipple
14	AW-5B	3/8" NPT Quick Disconnect
15	010476-45	#27 Washer
16	019652-40	3/8" NPT Live Swivel
17	B-7212-01	Open Coated Hose Reel w/ 15' of 3/8" Hose and High Flow Spray Valve
18	012504-40	Grip Handle (Blue), 3/8" NPT
19	000907-45	Spray Valve Hold Down Ring
20	EB-0107	High Flow Spray Valve (Blue)

Product Specifications:

Open Coated Hose Reel w/ 15' of 3/8" Hose, High Flow Spray Valve (Blue) w/ Swivel, Vacuum Breaker, 3/8" NPT Flexible Water Connector, 3" Concealed Mixing Faucet & Control Valve

Product Compliance:

NSF 61 Exempt (Non-Potable)
2019 DOE PRSV Non-Compliant
ASSE 1056 (VB)