



T&S BRASS AND BRONZE WORKS, INC.

2 Saddleback Cove / P.O. Box 1088
Travelers Rest, SC 29690

Model No.

B-7212-10

Item No.

Travelers Rest, SC: 800-476-4103 • Simi Valley, CA: 800-423-0150 • Fax: 864-834-3518 • www.tsbrass.com

This Space for Architect/Engineer Approval

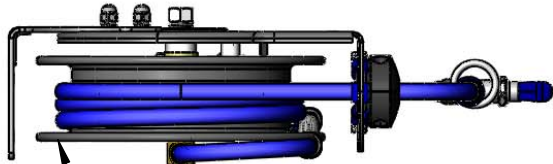
Job Name _____ Date _____

Model Specified _____ Quantity _____

Customer/Wholesaler _____

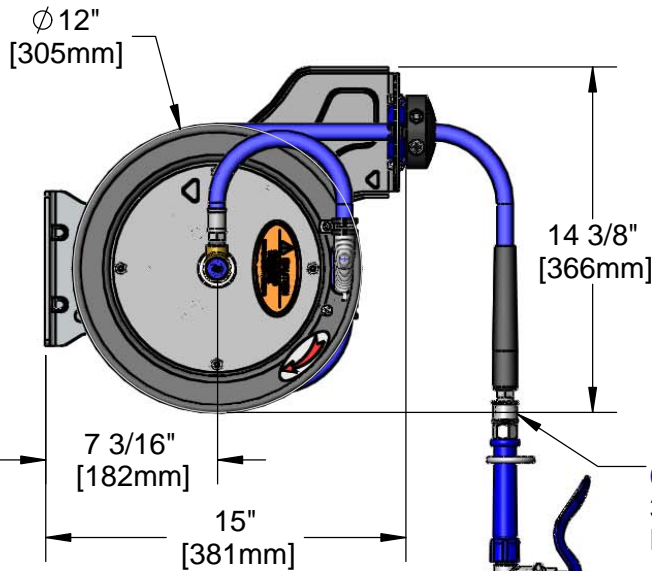
Contractor _____

Architect/Engineer _____



3/8" NPT Female Inlet
(Left Side of Reel)

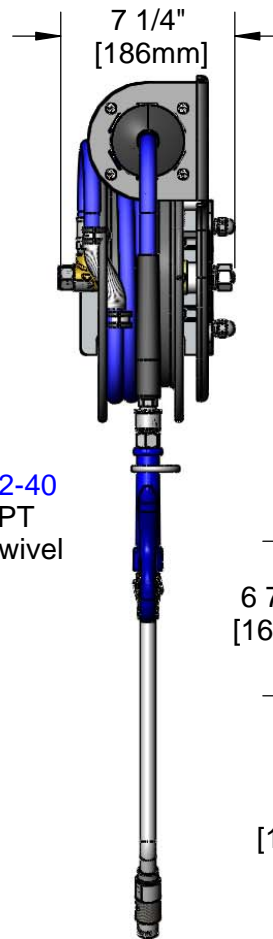
Open Coated Hose Reel;
15 Ft. of 3/8" Hose



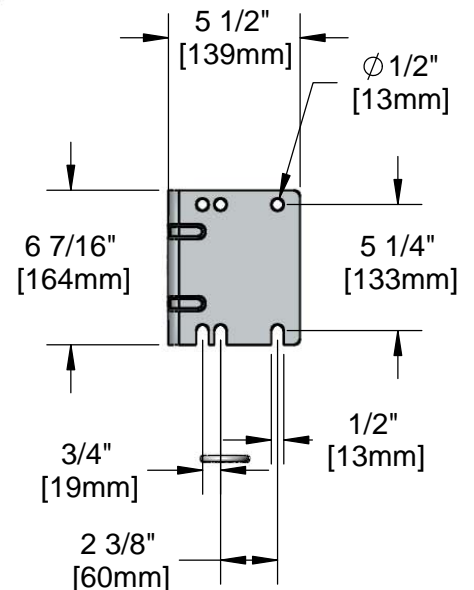
019652-40
3/8" NPT
Live Swivel

EB-2322

Extended Spray Wand
w/ Blue Spray Valve &
Adjustable Spray Pattern Outlet



Mounting Hole Details



Product Specifications:

3/8" x 15 Ft. Open Coated Reel w/ Extended Spray Wand & Blue Spray Valve w/ Swivel

Product Compliance:

NSF 61 Exempt (Non-Potable)
EPA Act 2005 Non-Compliant (PRSV)



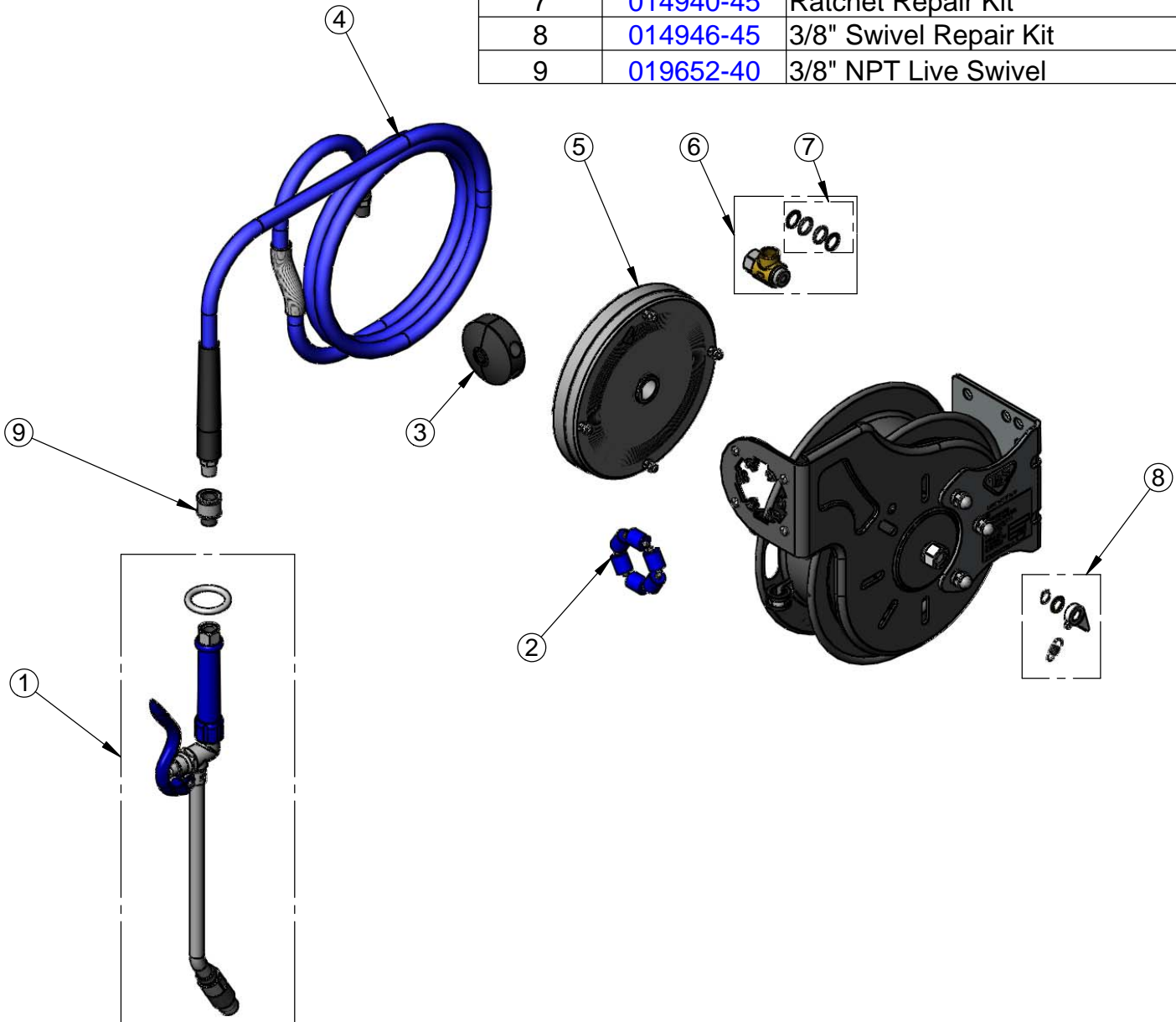
T&S BRASS AND BRONZE WORKS, INC.
 2 Saddleback Cove / P.O. Box 1088
 Travelers Rest, SC 29690

Model No.
B-7212-10

Item No.

Travelers Rest, SC: 800-476-4103 • Simi Valley, CA: 800-423-0150 • Fax: 864-834-3518 • www.tsbrass.com

ITEM NO.	SALES NO.	DESCRIPTION
1	EB-2322	Extended Wand Spray Valve
2	014938-45	Roller Assembly Repair Kit
3	014949-45	Hose Stop Repair Kit
4	014944-45	3/8" x 15' Hose Replacement Kit
5	014932-45	Small Coated Spring Assembly
6	014948-45	O-Ring Replacement Kit
7	014940-45	Ratchet Repair Kit
8	014946-45	3/8" Swivel Repair Kit
9	019652-40	3/8" NPT Live Swivel



Product Specifications:
 3/8" x 15 Ft. Open Coated Reel w/ Extended Spray Wand &
 Blue Spray Valve w/ Swivel

Product Compliance:
 NSF 61 Exempt (Non-Potable)
 EPA Act 2005 Non-Compliant (PRSV)