



T&S BRASS AND BRONZE WORKS, INC.
 2 Saddleback Cove / P.O. Box 1088
 Travelers Rest, SC 29690

Model No.
B-7212-08M

Item No.

Travelers Rest, SC: 800-476-4103 • Simi Valley, CA: 800-423-0150 • Fax: 864-834-3518 • www.tsbrass.com

This Space for Architect/Engineer Approval

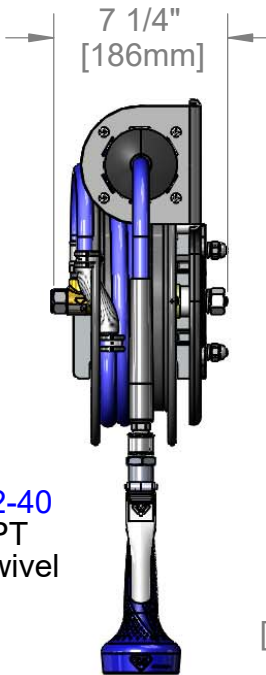
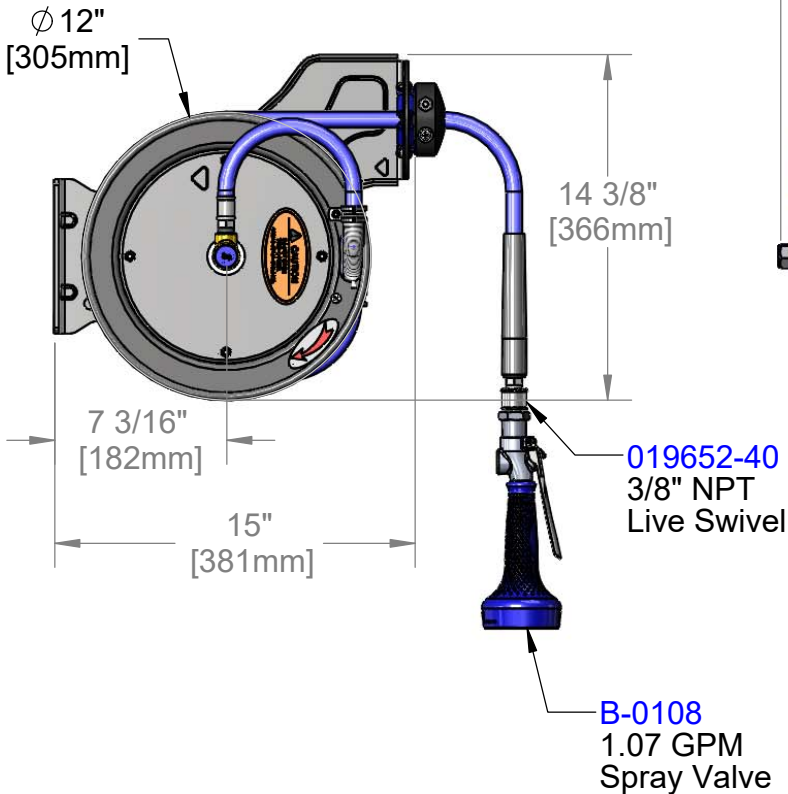
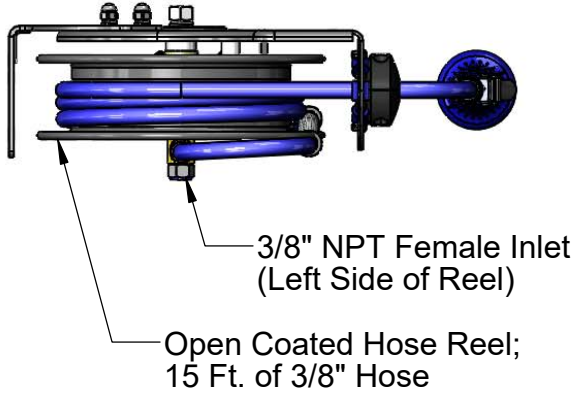
Job Name _____ Date _____

Model Specified _____ Quantity _____

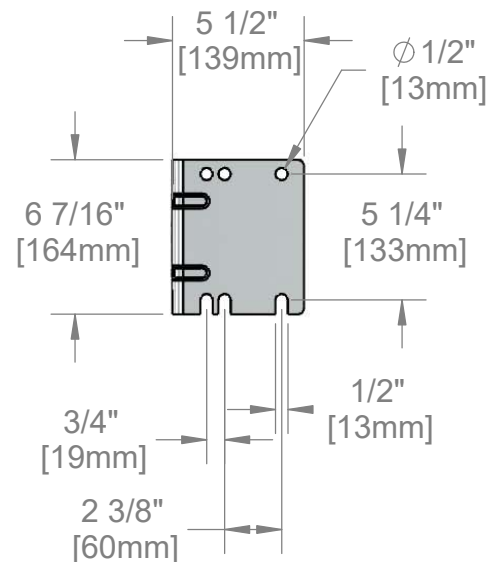
Customer/Wholesaler _____

Contractor _____

Architect/Engineer _____



Mounting Hole Details



Product Specifications:
 3/8" x 15 Ft. Open Coated Reel w/ 1.07 GPM Spray Valve & Swivel

Product Compliance:
 NSF 61 Exempt (Non-Potable)
 EPA Act 2005 (PRSV)



T&S BRASS AND BRONZE WORKS, INC.
 2 Saddleback Cove / P.O. Box 1088
 Travelers Rest, SC 29690

Model No.
B-7212-08M

Item No.

Travelers Rest, SC: 800-476-4103 • Simi Valley, CA: 800-423-0150 • Fax: 864-834-3518 • www.tsbrass.com

ITEM NO.	SALES NO.	DESCRIPTION
1	B-0108	1.07 GPM Spray Valve
2	014938-45	Roller Assembly Repair Kit
3	014949-45	Hose Stop Repair Kit
4	014944-45	3/8" x 15' Hose Replacement Kits
5	014932-45	Small Coated Spring Assembly
6	014946-45	3/8" Swivel Repair Kit
7	014948-45	O-Ring Replacement Kit
8	014940-45	Ratchet Repair Kit
9	019652-40	3/8" NPT Live Swivel
10	016154-25	B-0108 3/8" NPT Hose Adapter
11	010476-45	#27 Washer



Product Specifications:
 3/8" x 15 Ft. Open Coated Reel w/ 1.07 GPM Spray Valve & Swivel

Product Compliance:
 NSF 61 Exempt (Non-Potable)
 EPA Act 2005 (PRSV)