



T&S BRASS AND BRONZE WORKS, INC.

2 Saddleback Cove / P.O. Box 1088
Travelers Rest, SC 29690

Model No.

B-7143-U06WS2C

Item No.

Travelers Rest, SC: 800-476-4103 • Simi Valley, CA: 800-423-0150 • Fax: 864-834-3518 • www.tsbrass.com

This Space for Architect/Engineer Approval

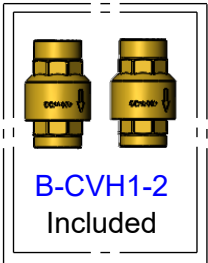
Job Name _____ Date _____

Model Specified _____ Quantity _____

Customer/Wholesaler _____

Contractor _____

Architect/Engineer _____



B-0963
Continuous Pressure
Vacuum Breaker
w/ Integral
Check Valve

1/2" NPT x 36"
Flexible Water
Connector to
Hose Reel

1/2" NPT x 32" Riser

Stainless Steel
Quick Disconnect

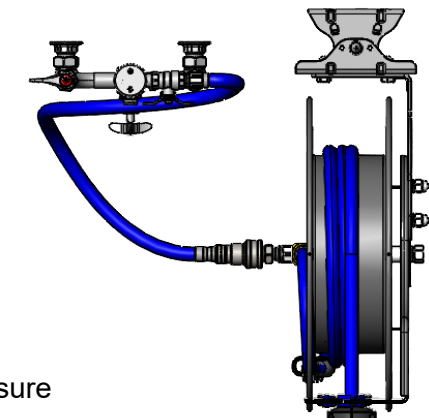
Control Valve

1/2" NPT x 18" Riser

(2) **B-0110**
Wall Brackets

12 5/8"
[321mm]

Ø 2" [51mm]
Flanges w/
1/2" NPT
Female Inlets



Open Stainless Steel Hose Reel
w/ 50' of 1/2" Hose

019653-40
1/2" NPT
Live Swivel

MV-2522-34
Front Trigger
Water Gun

Quarter-Turn
Cerama Cartridges
w/ Check Valves
& Lever Handles
w/ Color Coded
Indexes

Adjustable From
7 3/4" to 8 1/4"
[197mm to 210mm]

3 9/16"
[90mm]

6"
[152mm]

5 9/16"
[142mm]

9 1/4"
[235mm]

Ø 1/2"
[13mm]
Typ

57 3/4"
[1467mm]

19 7/16"
[494mm]

2 3/8"
[61mm]

Product Specifications:

Open Stainless Steel Hose Reel w/ 50' of 1/2" Hose, Front Trigger Water Gun w/ Swivel, 1/2" NPT Vacuum Breaker, 1/2" NPT Flexible Water Connector, 8" Wall Mount Mixing Faucet, Control Valve, Horizontal Check Valves & EasyInstall Wall Swing Bracket

Product Compliance:

NSF 61 Exempt (Non-Potable)
2019 DOE PRSV Non-Compliant
ASSE 1056 (VB)



T&S BRASS AND BRONZE WORKS, INC.

2 Saddleback Cove / P.O. Box 1088
Travelers Rest, SC 29690

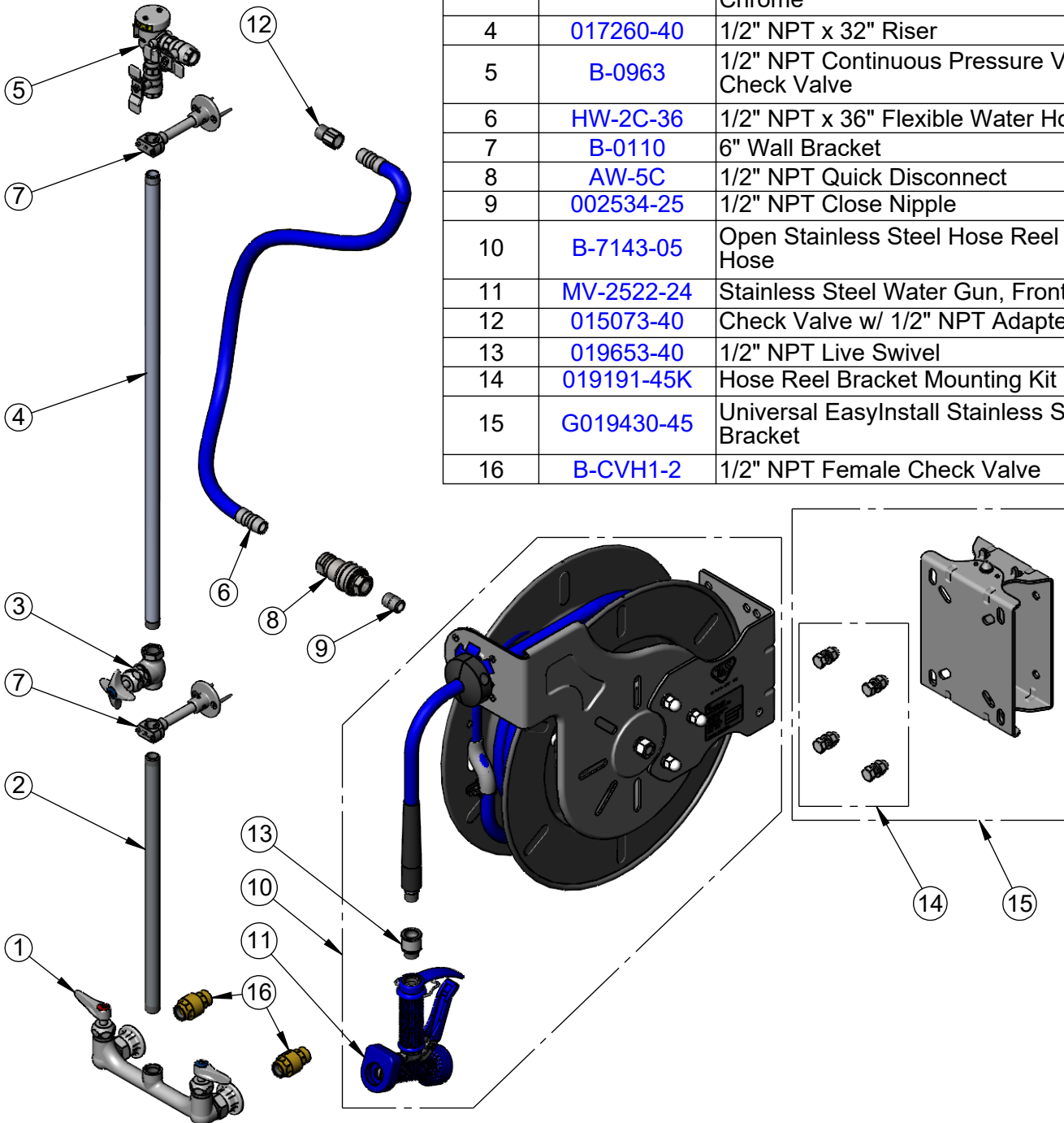
Model No.

B-7143-U06WS2C

Item No.

Travelers Rest, SC: 800-476-4103 • Simi Valley, CA: 800-423-0150 • Fax: 864-834-3518 • www.tsbrass.com

ITEM NO.	SALES NO.	DESCRIPTION
1	020479-40	8" Wall Mount Mixing Faucet
2	013963-40	1/2"NPT x 18" Riser
3	0RK3	1/2" NPT Shut-Off Control Valve, Polished Chrome
4	017260-40	1/2" NPT x 32" Riser
5	B-0963	1/2" NPT Continuous Pressure VB w/ Integral Check Valve
6	HW-2C-36	1/2" NPT x 36" Flexible Water Hose
7	B-0110	6" Wall Bracket
8	AW-5C	1/2" NPT Quick Disconnect
9	002534-25	1/2" NPT Close Nipple
10	B-7143-05	Open Stainless Steel Hose Reel w/ 50' of 1/2" Hose
11	MV-2522-24	Stainless Steel Water Gun, Front Trigger
12	015073-40	Check Valve w/ 1/2" NPT Adapter
13	019653-40	1/2" NPT Live Swivel
14	019191-45K	Hose Reel Bracket Mounting Kit
15	G019430-45	Universal EasyInstall Stainless Steel Swing Bracket
16	B-CVH1-2	1/2" NPT Female Check Valve



Product Specifications:

Open Stainless Steel Hose Reel w/ 50' of 1/2" Hose, Front Trigger Water Gun w/ Swivel, 1/2" NPT Vacuum Breaker, 1/2" NPT Flexible Water Connector, 8" Wall Mount Mixing Faucet, Control Valve, Horizontal Check Valves & EasyInstall Wall Swing Bracket

Product Compliance:

NSF 61 Exempt (Non-Potable)
2019 DOE PRSV Non-Compliant
ASSE 1056 (VB)