



T&S BRASS AND BRONZE WORKS, INC.

2 Saddleback Cove / P.O. Box 1088
Travelers Rest, SC 29690

Model No.

B-7143-U05WS1C

Item No.

Travelers Rest, SC: 800-476-4103 • Simi Valley, CA: 800-423-0150 • Fax: 864-834-3518 • www.tsbrass.com

This Space for Architect/Engineer Approval

Job Name _____ Date _____

Model Specified _____ Quantity _____

Customer/Wholesaler _____

Contractor _____

Architect/Engineer _____

B-0963

Continuous Pressure Vacuum Breaker w/ Integral Check Valve

1/2" NPT x 36" Flexible Water Connector to Hose Reel

1/2" NPT x 32" Riser

Stainless Steel Quick Disconnect

Control Valve

1/2" NPT x 18" Riser

(2) **B-0110** Wall Brackets

12 5/8" [321mm]

Ø 2" [51mm] Flanges w/ 1/2" NPT Female Inlets

Adjustable From 7 3/4" to 8 1/4" [197mm to 210mm]

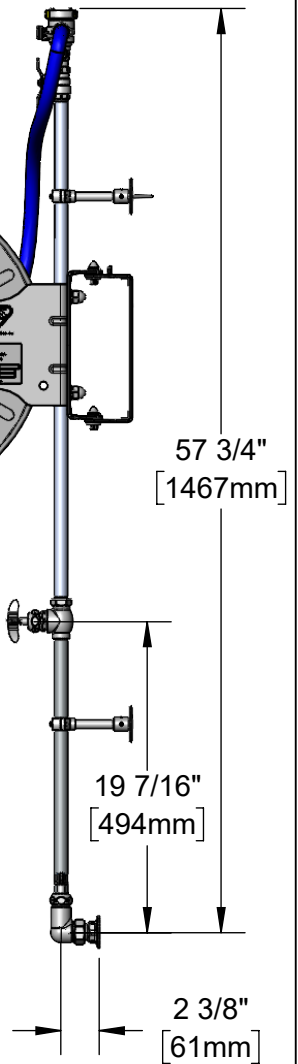
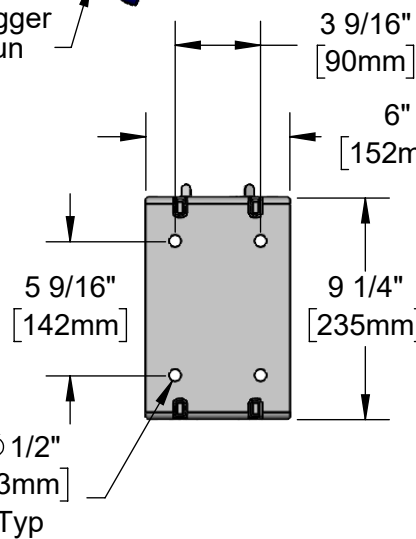
Quarter-Turn Cerama Cartridges w/ Check Valves & Lever Handles w/ Color Coded Indexes

3 11/16" [94mm]

Open Stainless Steel Hose Reel w/ 50' of 1/2" Hose

019653-40 1/2" NPT Live Swivel

MV-2522-24 Front Trigger Water Gun



Product Specifications:

Open Stainless Steel Hose Reel w/ 50' of 1/2" Hose, Front Trigger Water Gun w/ Swivel, 1/2" NPT Vacuum Breaker, 1/2" NPT Flexible Water Connector, 8" Wall Mount Mixing Faucet, Control Valve & EasyInstall Wall Swing Bracket

Product Compliance:

NSF 61 Exempt (Non-Potable)
2019 DOE PRSV Non-Compliant
ASSE 1056 (VB)



T&S BRASS AND BRONZE WORKS, INC.

2 Saddleback Cove / P.O. Box 1088
Travelers Rest, SC 29690

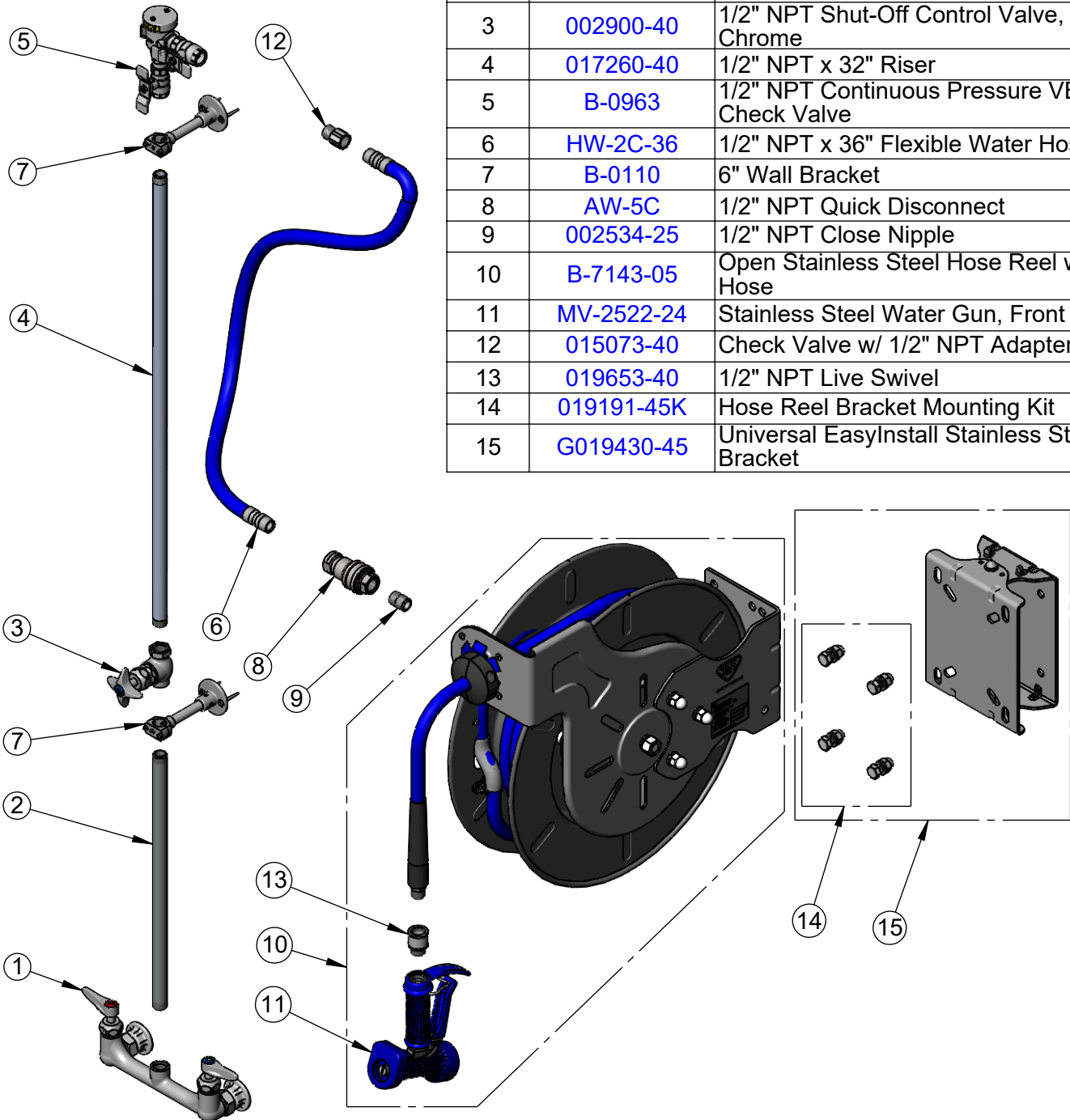
Model No.

B-7143-U05WS1C

Item No.

Travelers Rest, SC: 800-476-4103 • Simi Valley, CA: 800-423-0150 • Fax: 864-834-3518 • www.tsbrass.com

ITEM NO.	SALES NO.	DESCRIPTION
1	020479-40	8" Wall Mount Mixing Faucet
2	013963-40	1/2" NPT x 18" Riser
3	002900-40	1/2" NPT Shut-Off Control Valve, Polished Chrome
4	017260-40	1/2" NPT x 32" Riser
5	B-0963	1/2" NPT Continuous Pressure VB w/ Integral Check Valve
6	HW-2C-36	1/2" NPT x 36" Flexible Water Hose
7	B-0110	6" Wall Bracket
8	AW-5C	1/2" NPT Quick Disconnect
9	002534-25	1/2" NPT Close Nipple
10	B-7143-05	Open Stainless Steel Hose Reel w/ 50' of 1/2" Hose
11	MV-2522-24	Stainless Steel Water Gun, Front Trigger
12	015073-40	Check Valve w/ 1/2" NPT Adapter
13	019653-40	1/2" NPT Live Swivel
14	019191-45K	Hose Reel Bracket Mounting Kit
15	G019430-45	Universal EasyInstall Stainless Steel Swing Bracket



Product Specifications:

Open Stainless Steel Hose Reel w/ 50' of 1/2" Hose, Front Trigger Water Gun w/ Swivel, 1/2" NPT Vacuum Breaker, 1/2" NPT Flexible Water Connector, 8" Wall Mount Mixing Faucet, Control Valve & EasyInstall Wall Swing Bracket

Product Compliance:

NSF 61 Exempt (Non-Potable)
2019 DOE PRSV Non-Compliant
ASSE 1056 (VB)