



**T&S BRASS AND BRONZE WORKS, INC.**  
 2 Saddleback Cove / P.O. Box 1088  
 Travelers Rest, SC 29690

Model No.  
**B-7143-07**

Item No.

Travelers Rest, SC: 800-476-4103 • Simi Valley, CA: 800-423-0150 • Fax: 864-834-3518 • www.tsbrass.com

This Space for Architect/Engineer Approval

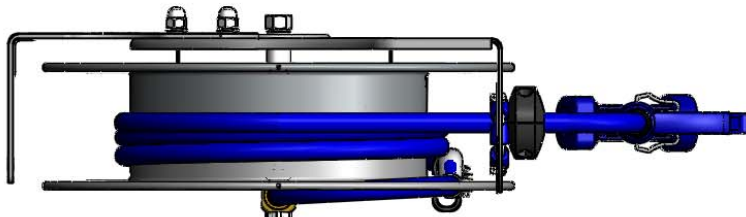
Job Name \_\_\_\_\_ Date \_\_\_\_\_

Model Specified \_\_\_\_\_ Quantity \_\_\_\_\_

Customer/Wholesaler \_\_\_\_\_

Contractor \_\_\_\_\_

Architect/Engineer \_\_\_\_\_



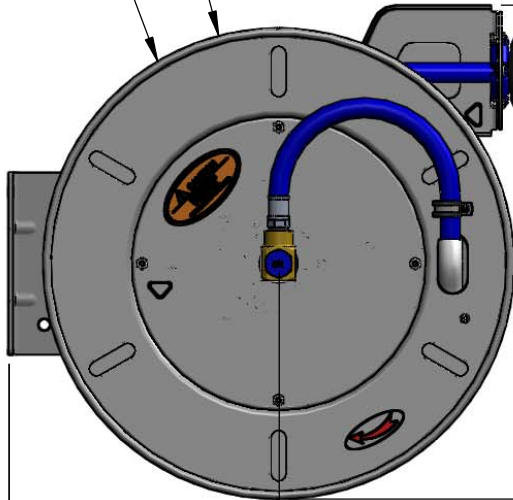
1/2" NPT Female Inlet  
 (Left Side of Reel)

Open Stainless Steel Hose Reel  
 50' of 1/2" Hose

Ø 19 5/8"  
 [498mm]

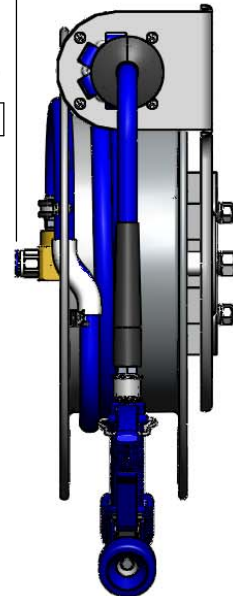
9 7/16"  
 [240mm]

20 9/16"  
 [523mm]



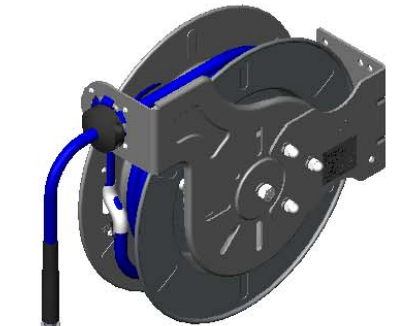
11 1/4"  
 [286mm]

21 1/16"  
 [535mm]



019653-40  
 1/2" NPT  
 Live Swivel

MV-2522-44  
 Stainless Steel Front Trigger  
 Water Gun, 9/16" Orifice



Mounting Hole Details

6 3/16"  
 [158mm]

Ø 1/2"  
 [13mm]

7 9/16"  
 [193mm]

6"  
 [152mm]

13/16"  
 [21mm]

1/2"  
 [13mm]

3 1/8"  
 [79mm]

Product Specifications:

1/2" x 50' Open Stainless Steel Reel w/ Stainless Steel Front Trigger  
 Water Gun with Rubber Cover & Swivel, 9/16" Flow Orifice  
 and 1/2" NPT Female Inlet

Product Compliance:

NSF 61 Exempt (Non-Potable)



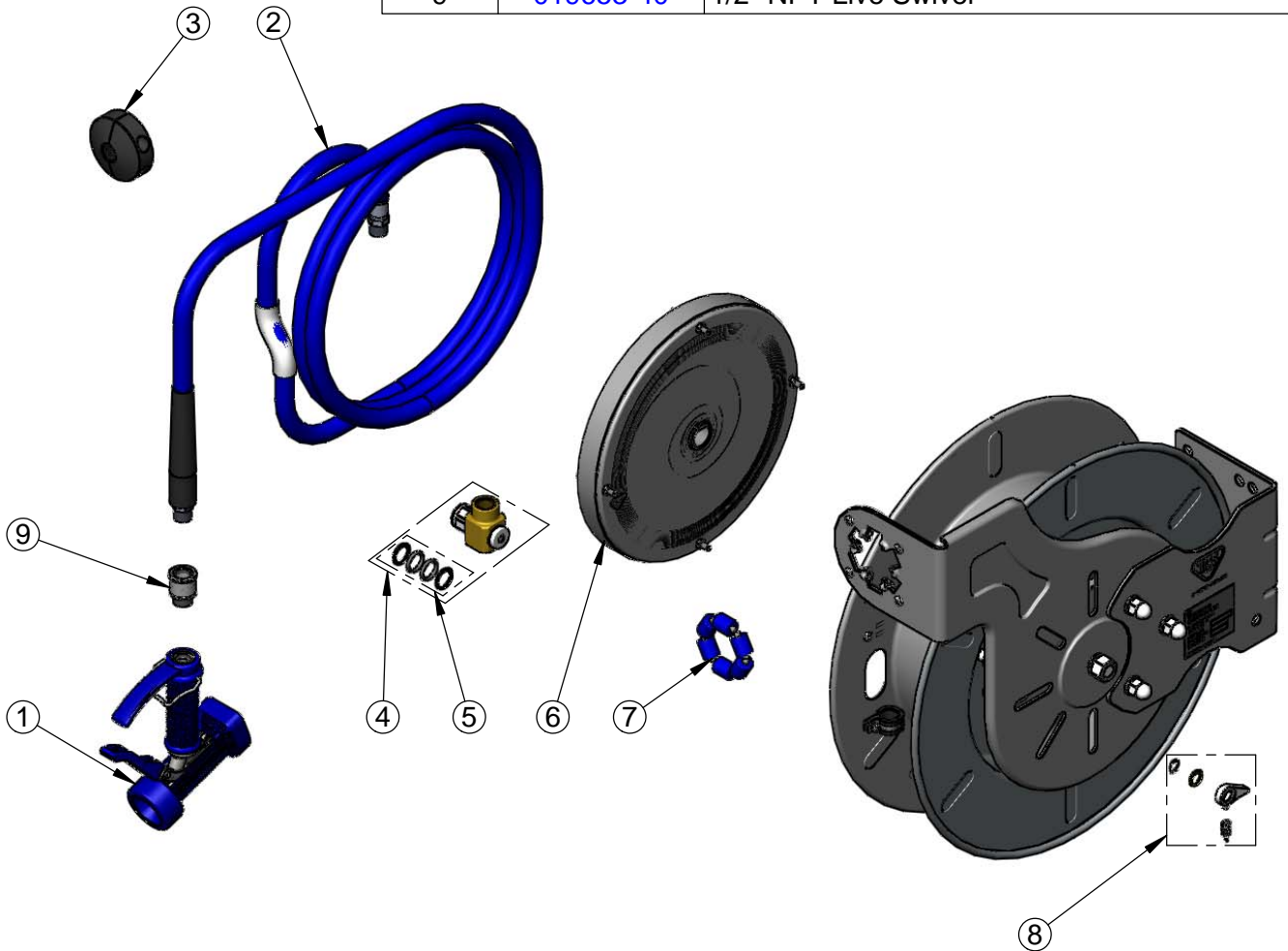
**T&S BRASS AND BRONZE WORKS, INC.**  
 2 Saddleback Cove / P.O. Box 1088  
 Travelers Rest, SC 29690

Model No.  
**B-7143-07**

Item No.

Travelers Rest, SC: 800-476-4103 • Simi Valley, CA: 800-423-0150 • Fax: 864-834-3518 • www.tsbrass.com

ITEM NO.	SALES NO.	DESCRIPTION
1	<a href="#">MV-2522-44</a>	Stainless Steel Front Trigger Water Gun w/ Blue Rubber Cover, 9/16" Flow Orifice
2	<a href="#">014945-45</a>	1/2" x 50' Hose Replacement Kit
3	<a href="#">019499-45</a>	1/2" Hose Stop Repair Kit
4	<a href="#">014947-45</a>	1/2" Swivel Repair Kit
5	<a href="#">019473-45</a>	O-Ring Replacement Kit
6	<a href="#">014935-45</a>	Large Stainless Steel Spring
7	<a href="#">014938-45</a>	Roller Replacement Kit
8	<a href="#">014940-45</a>	Ratchet Repair Kit
9	<a href="#">019653-40</a>	1/2" NPT Live Swivel



Product Specifications:  
 1/2" x 50' Open Stainless Steel Reel w/ Stainless Steel Front Trigger Water Gun with Rubber Cover & Swivel, 9/16" Flow Orifice and 1/2" NPT Female Inlet

Product Compliance:  
 NSF 61 Exempt (Non-Potable)