



T&S BRASS AND BRONZE WORKS, INC.
 2 Saddleback Cove / P.O. Box 1088
 Travelers Rest, SC 29690

Model No.
B-7142-U05WS7BC

Item No.

Travelers Rest, SC: 800-476-4103 • Simi Valley, CA: 800-423-0150 • Fax: 864-834-3518 • www.tsbrass.com

This Space for Architect/Engineer Approval

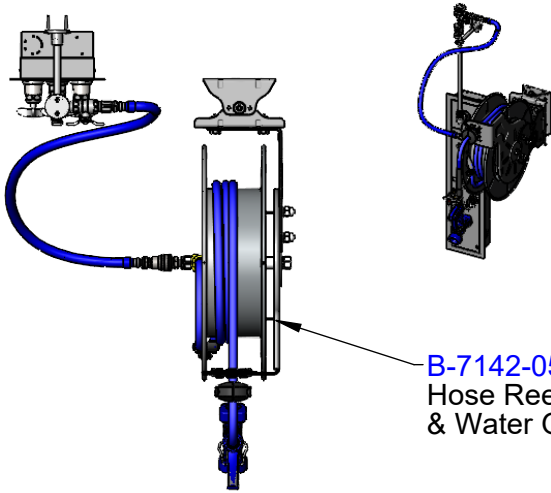
Job Name _____ Date _____

Model Specified _____ Quantity _____

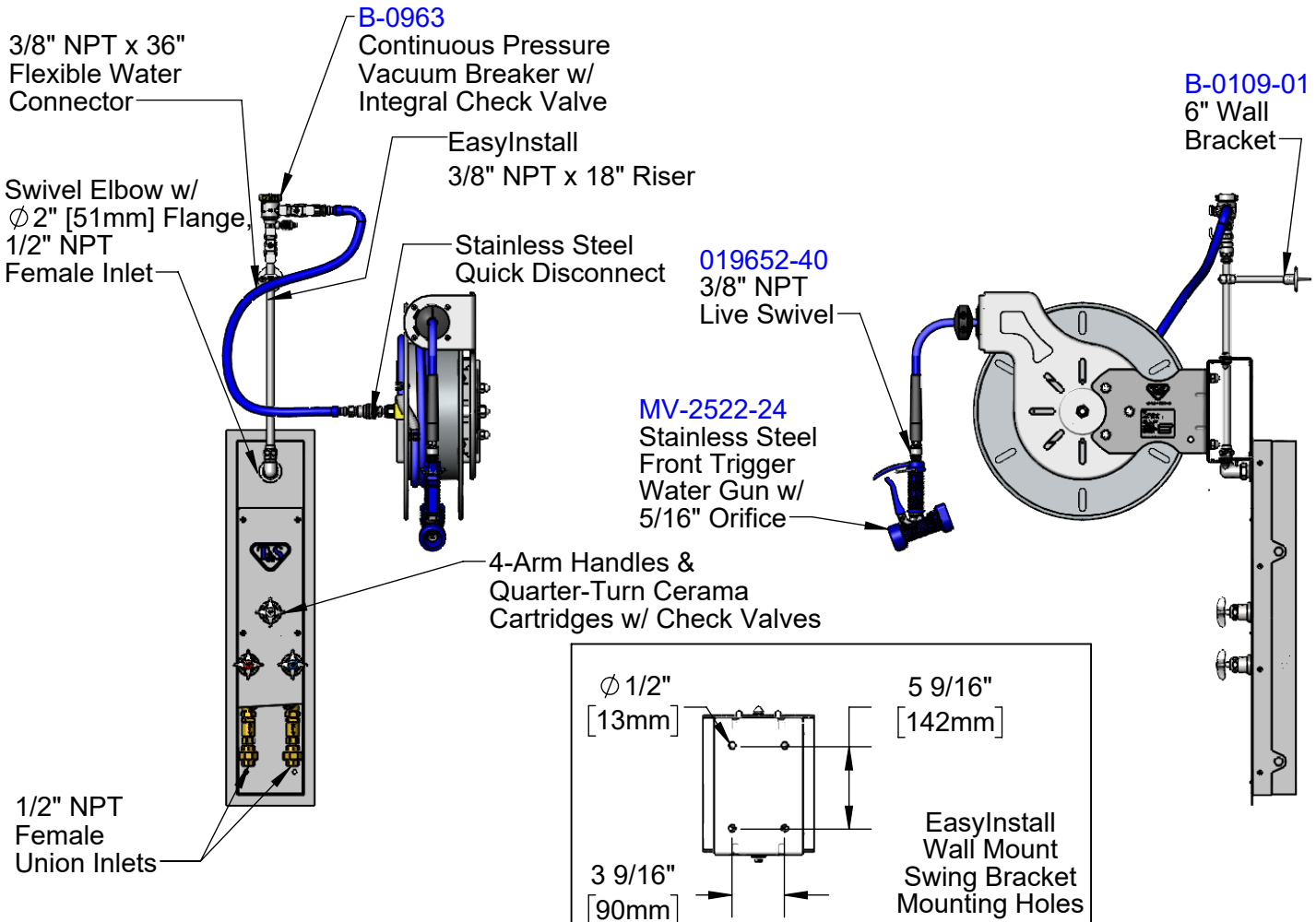
Customer/Wholesaler _____

Contractor _____

Architect/Engineer _____



B-7142-05
 Hose Reel w/ 50 ft x 3/8" Hose
 & Water Gun



3/8" NPT x 36"
 Flexible Water
 Connector

B-0963
 Continuous Pressure
 Vacuum Breaker w/
 Integral Check Valve

Swivel Elbow w/
 Ø2" [51mm] Flange,
 1/2" NPT
 Female Inlet

EasyInstall
 3/8" NPT x 18" Riser

Stainless Steel
 Quick Disconnect

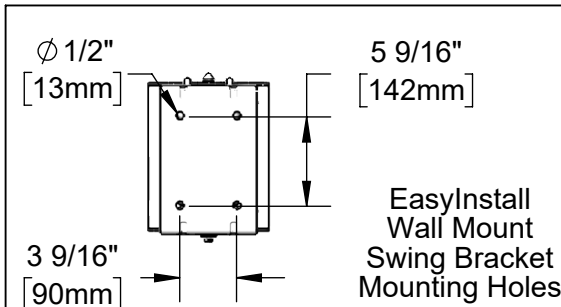
019652-40
 3/8" NPT
 Live Swivel

B-0109-01
 6" Wall
 Bracket

MV-2522-24
 Stainless Steel
 Front Trigger
 Water Gun w/
 5/16" Orifice

4-Arm Handles &
 Quarter-Turn Cerama
 Cartridges w/ Check Valves

1/2" NPT
 Female
 Union Inlets



EasyInstall
 Wall Mount
 Swing Bracket
 Mounting Holes

Product Specifications:

Stainless Steel Hose Reel w/ 50' Hose, High Flow Water Gun w/ Swivel, EasyInstall Recess Mount SS Hose Reel Cabinet w/ Mixing & Control Valve, 4-Arm Handles, Quarter-Turn Ceramas with Check Valves, Dual Check Valves, Inlets for Bottom Supplies, 100 Deg EasyInstall Stainless Steel Swing Bracket w/ Mounting Hardware & Hose Reel Connector Kit

Product Compliance:

NSF 61 Exempt (Non-Potable)
 ASSE 1056 (VB)
 2019 DOE PRSV Non-Compliant



T&S BRASS AND BRONZE WORKS, INC.

2 Saddleback Cove / P.O. Box 1088
Travelers Rest, SC 29690

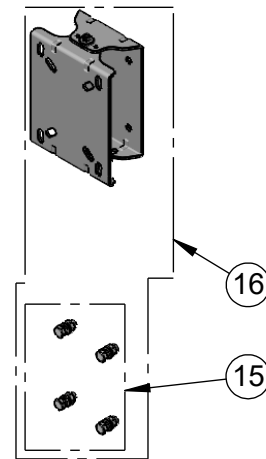
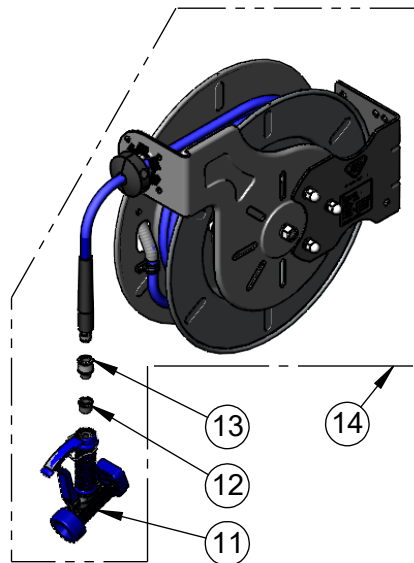
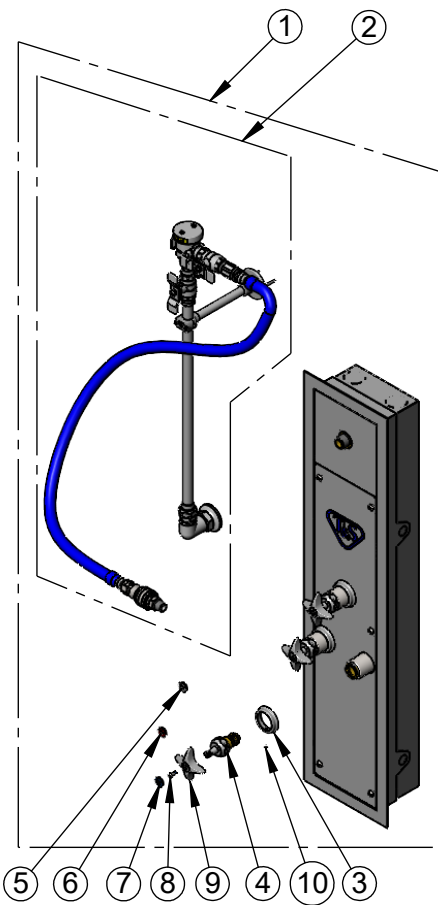
Model No.

B-7142-U05WS7BC

Item No.

Travelers Rest, SC: 800-476-4103 • Simi Valley, CA: 800-423-0150 • Fax: 864-834-3518 • www.tsbrass.com

ITEM NO.	SALES NO.	DESCRIPTION
1	B-1460-RMB-CR	EasyInstall Recessed Hose Reel Cabinet w/ Bottom Inlets & Ceramas
2	0RK-SK	Hose Reel Connector Kit
3	020839-40	Narrow Slip Flange w/ Set Screw
4	012394-25NS	Quarter-Turn Cerama Cartridge w/ Check Valve, RTC
5	001205-19NS	White Button Index, Press-In
6	001193-19NS	Red Button Index, Press-in
7	018506-19NS	Blue Button Index, Press-in
8	000925-45	Lab Handle Screw
9	002521-45NS	4-Arm Handle (New Style)
10	000939-45	Escutcheon, Set Screw
11	MV-2522-24	Front Trigger Gun, 5/16" Orifice
12	001359-40	Adapter, 1/2" Male x 3/8" Female
13	019652-40	3/8" NPT Live Swivel
14	B-7142-05	Stainless Steel Reel w/ 50' of 3/8" Hose
15	019191-45K	Hose Reel Mounting Kit
16	G019430-45	EasyInstall Hose Reel Stainless Steel Swing Bracket



Product Specifications:

Stainless Steel Hose Reel w/ 50' Hose, High Flow Water Gun w/ Swivel, EasyInstall Recess Mount SS Hose Reel Cabinet w/ Mixing & Control Valve, 4-Arm Handles, Quarter-Turn Ceramas with Check Valves, Dual Check Valves, Inlets for Bottom Supplies, 100 Deg EasyInstall Stainless Steel Swing Bracket w/ Mounting Hardware & Hose Reel Connector Kit

Product Compliance:

NSF 61 Exempt (Non-Potable)
ASSE 1056 (VB)
2019 DOE PRSV Non-Compliant