



**T&S BRASS AND BRONZE WORKS, INC.**  
 2 Saddleback Cove / P.O. Box 1088  
 Travelers Rest, SC 29690

Model No.  
**B-7142-08H**

Item No.

Travelers Rest, SC: 800-476-4103 • Simi Valley, CA: 800-423-0150 • Fax: 864-834-3518 • www.tsbrass.com

This Space for Architect/Engineer Approval

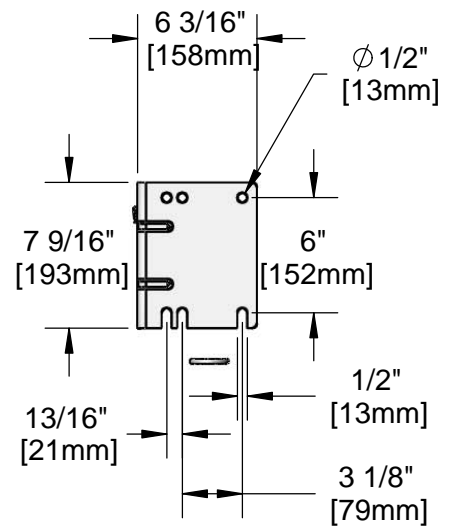
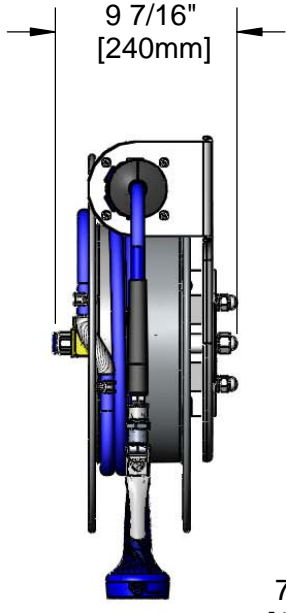
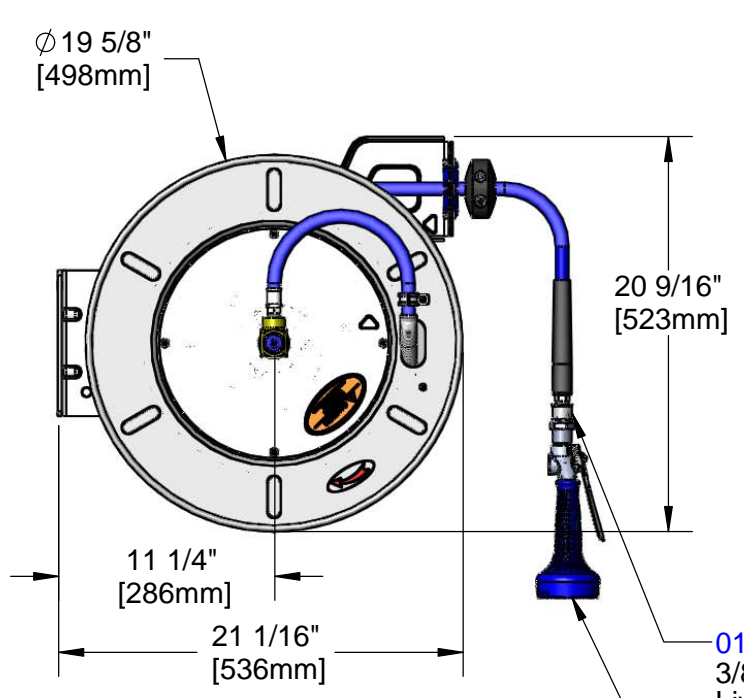
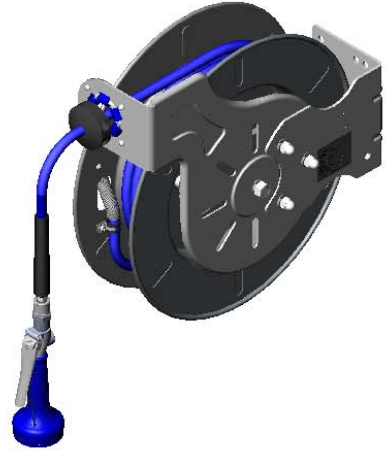
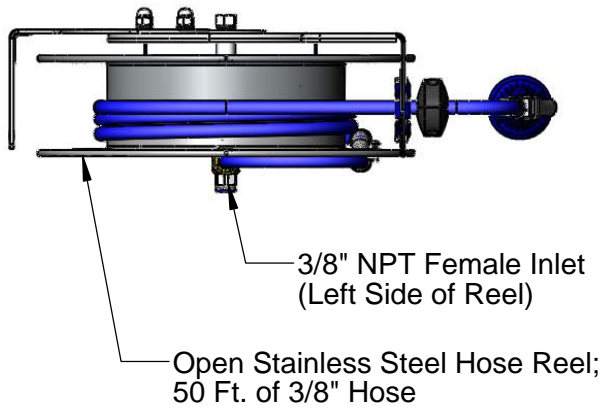
Job Name \_\_\_\_\_ Date \_\_\_\_\_

Model Specified \_\_\_\_\_ Quantity \_\_\_\_\_

Customer/Wholesaler \_\_\_\_\_

Contractor \_\_\_\_\_

Architect/Engineer \_\_\_\_\_



**019652-40**  
3/8" NPT Live Swivel

**B-0108-H**  
High Flow Spray Valve

Product Specifications:  
 3/8" x 50 Ft. Open Stainless Steel Reel w/ High Flow Spray Valve & Swivel

Product Compliance:  
 NSF 61 Exempt (Non-Potable)  
 EPA Act 2005 Non-Compliant (PRSV)



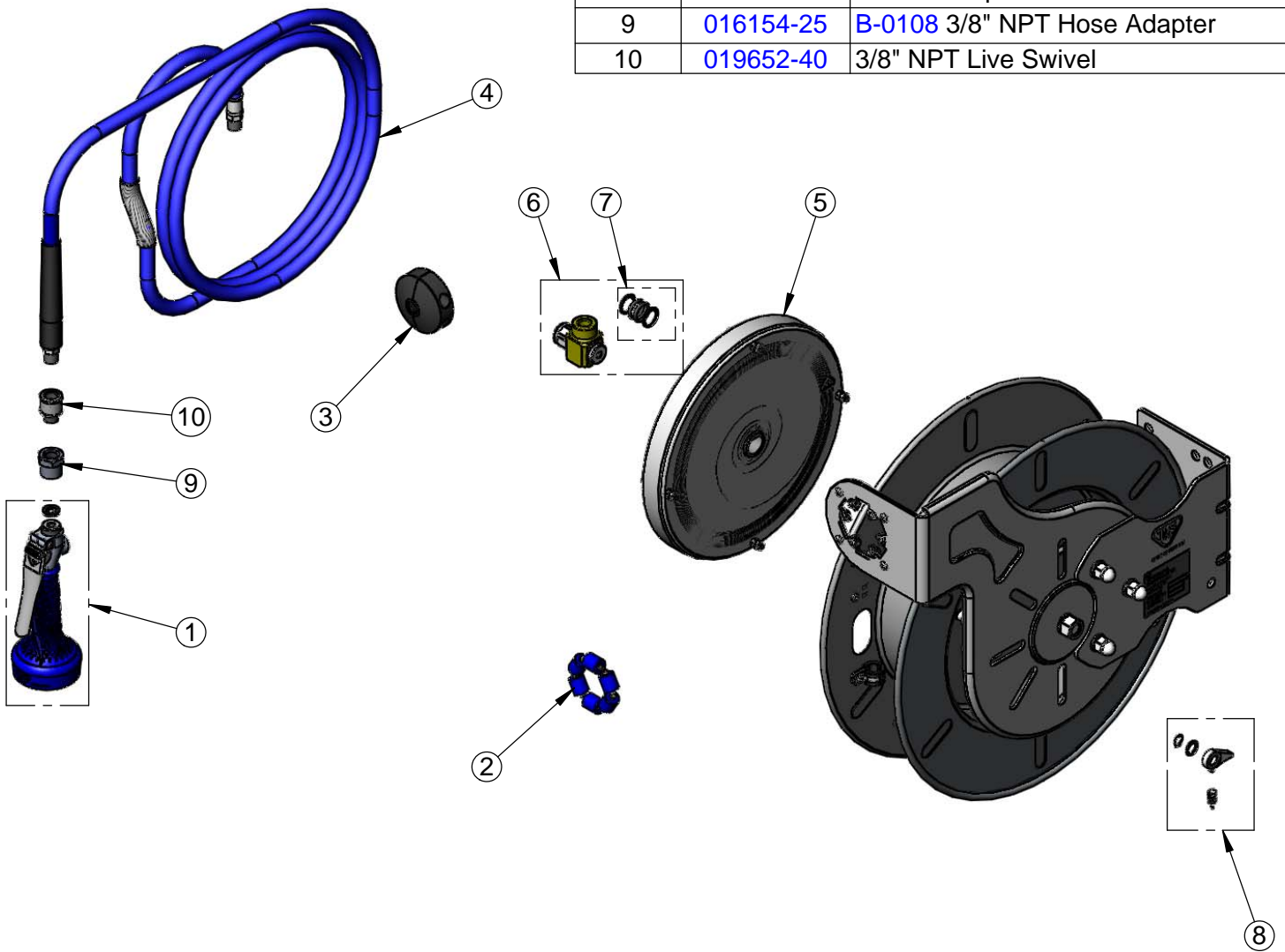
**T&S BRASS AND BRONZE WORKS, INC.**  
 2 Saddleback Cove / P.O. Box 1088  
 Travelers Rest, SC 29690

Model No.  
**B-7142-08H**

Item No.

Travelers Rest, SC: 800-476-4103 • Simi Valley, CA: 800-423-0150 • Fax: 864-834-3518 • www.tsbrass.com

ITEM NO.	SALES NO.	DESCRIPTION
1	B-0108-H	High Flow Spray Valve
2	014938-45	Roller Assembly Repair Kit
3	014949-45	Hose Stop Repair Kit
4	014942-45	3/8" x 50' Hose Replacement Kit
5	014935-45	Large SS Spring Assembly
6	019561-45	3/8" x 50' Swivel Repair Kit
7	019473-45	3/8" x 50' O-Ring Replacement Kit
8	014940-45	Ratchet Repair Kit
9	016154-25	B-0108 3/8" NPT Hose Adapter
10	019652-40	3/8" NPT Live Swivel



Product Specifications:  
 3/8" x 50 Ft. Open Stainless Steel Reel w/ High Flow Spray Valve & Swivel

Product Compliance:  
 NSF 61 Exempt (Non-Potable)  
 EPA Act 2005 Non-Compliant (PRSV)