



**T&S BRASS AND BRONZE WORKS, INC.**  
 2 Saddleback Cove / P.O. Box 1088  
 Travelers Rest, SC 29690

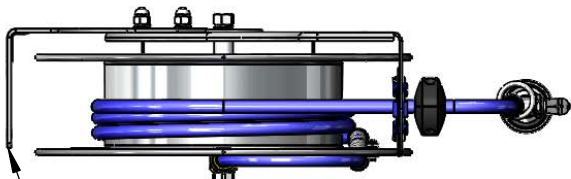
Model No.  
**B-7142-01M**

Item No.

Travelers Rest, SC: 800-476-4103 • Simi Valley, CA: 800-423-0150 • Fax: 864-834-3518 • www.tsbrass.com

This Space for Architect/Engineer Approval

Job Name \_\_\_\_\_ Date \_\_\_\_\_  
 Model Specified \_\_\_\_\_ Quantity \_\_\_\_\_  
 Customer/Wholesaler \_\_\_\_\_  
 Contractor \_\_\_\_\_  
 Architect/Engineer \_\_\_\_\_

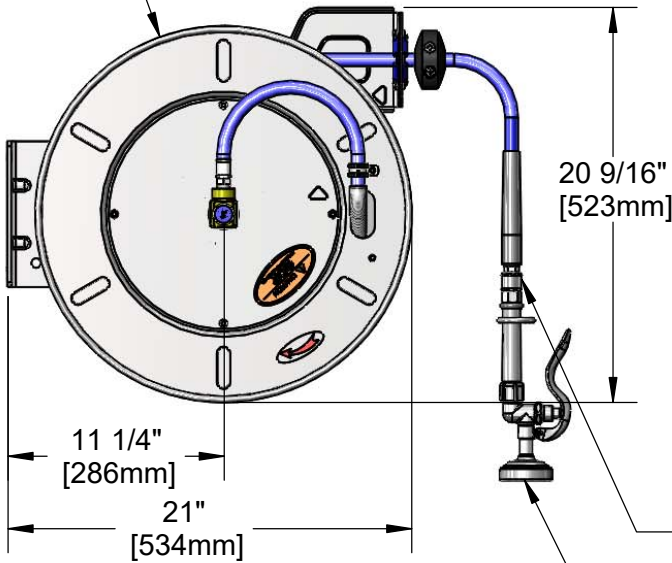


3/8" NPT Female Inlet  
 (Left Side of Reel)

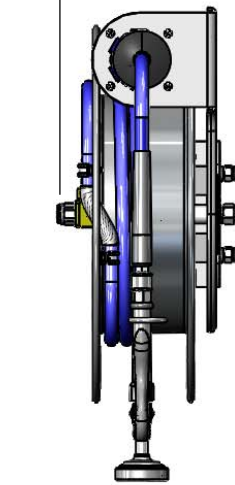
Open Stainless Steel Hose Reel;  
 50' of 3/8" Hose



Ø 19 5/8"  
 [498mm]

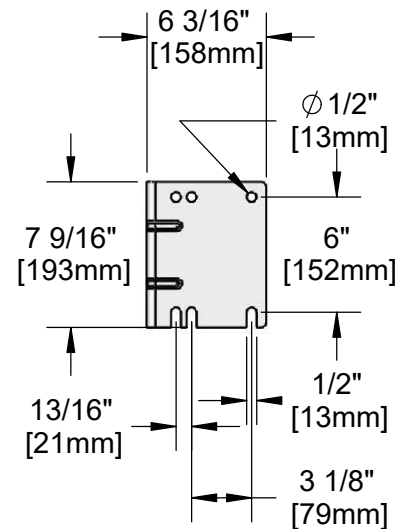


9 7/16"  
 [240mm]



**019652-40**  
 3/8" NPT  
 Live Swivel

**B-0107**  
 1.15 GPM  
 Spray Valve



Product Specifications:  
 3/8" x 50' Open Stainless Steel Reel w/ 1.15 GPM Spray Valve & Swivel

Product Compliance:  
 NSF 61 Exempt (Non-Potable)  
 2019 DOE PRSV - Class II



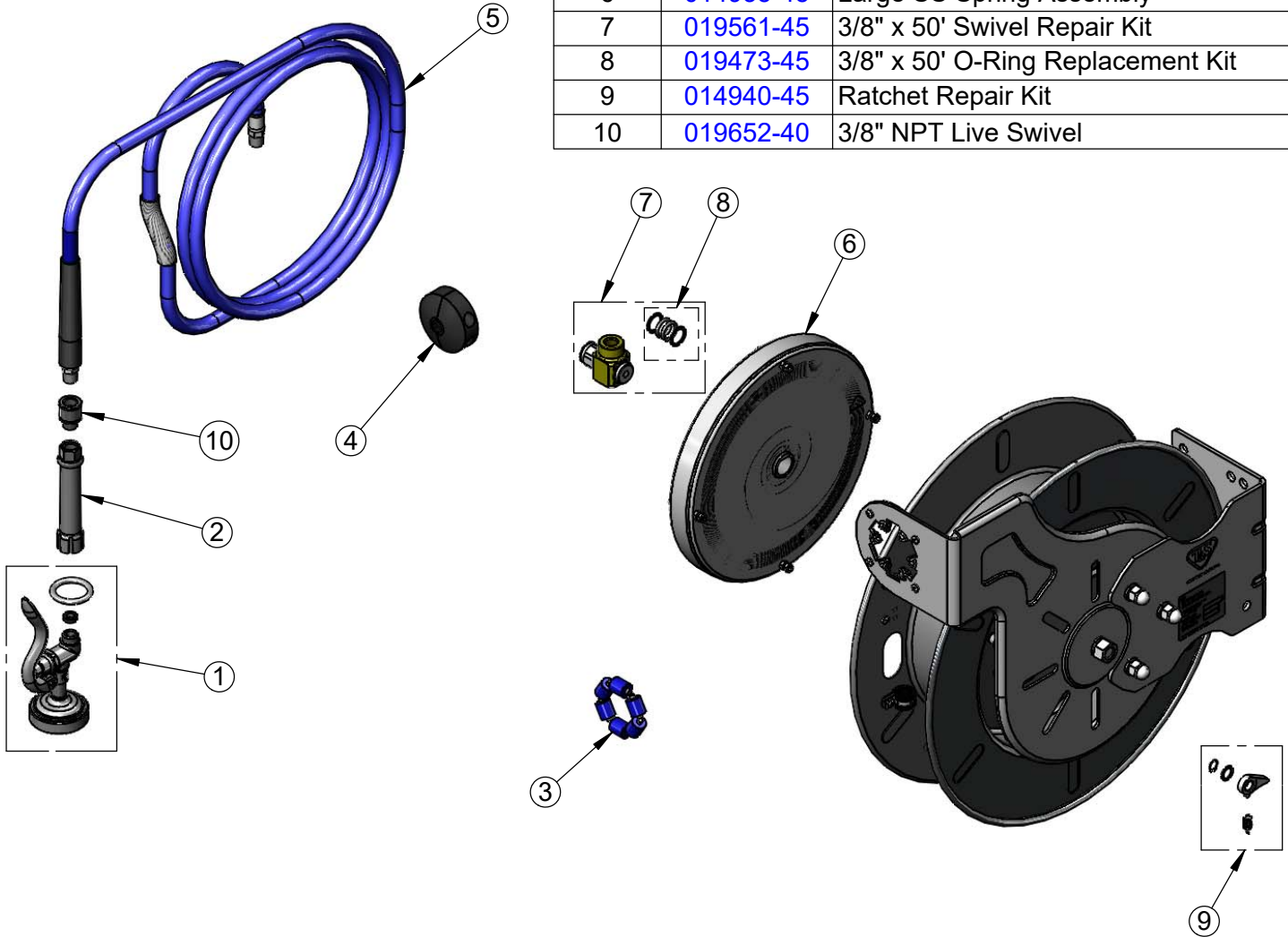
**T&S BRASS AND BRONZE WORKS, INC.**  
 2 Saddleback Cove / P.O. Box 1088  
 Travelers Rest, SC 29690

Model No.  
**B-7142-01M**

Item No.

Travelers Rest, SC: 800-476-4103 • Simi Valley, CA: 800-423-0150 • Fax: 864-834-3518 • www.tsbrass.com

ITEM NO.	SALES NO.	DESCRIPTION
1	B-0107	1.15 GPM Spray Valve
2	002881-40	Gray Handle Grip
3	014938-45	Roller Assembly Repair Kit
4	014949-45	Hose Stop Repair Kit
5	014942-45	3/8" x 50' Hose Replacement Kit
6	014935-45	Large SS Spring Assembly
7	019561-45	3/8" x 50' Swivel Repair Kit
8	019473-45	3/8" x 50' O-Ring Replacement Kit
9	014940-45	Ratchet Repair Kit
10	019652-40	3/8" NPT Live Swivel



Product Specifications:  
 3/8" x 50' Open Stainless Steel Reel w/ 1.15 GPM Spray Valve & Swivel

Product Compliance:  
 NSF 61 Exempt (Non-Potable)  
 2019 DOE PRSV - Class II