



T&S BRASS AND BRONZE WORKS, INC.

2 Saddleback Cove / P.O. Box 1088
Travelers Rest, SC 29690

Model No.

B-7133-FG-01

Item No.

Travelers Rest, SC: 800-476-4103 • Simi Valley, CA: 800-423-0150 • Fax: 864-834-3518 • www.tsbrass.com

This Space for Architect/Engineer Approval

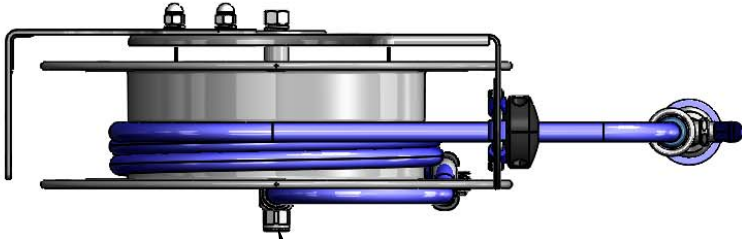
Job Name _____ Date _____

Model Specified _____ Quantity _____

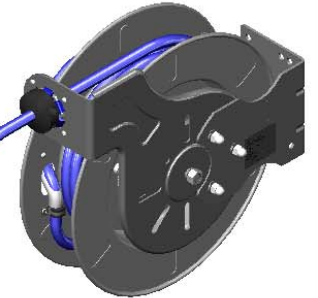
Customer/Wholesaler _____

Contractor _____

Architect/Engineer _____

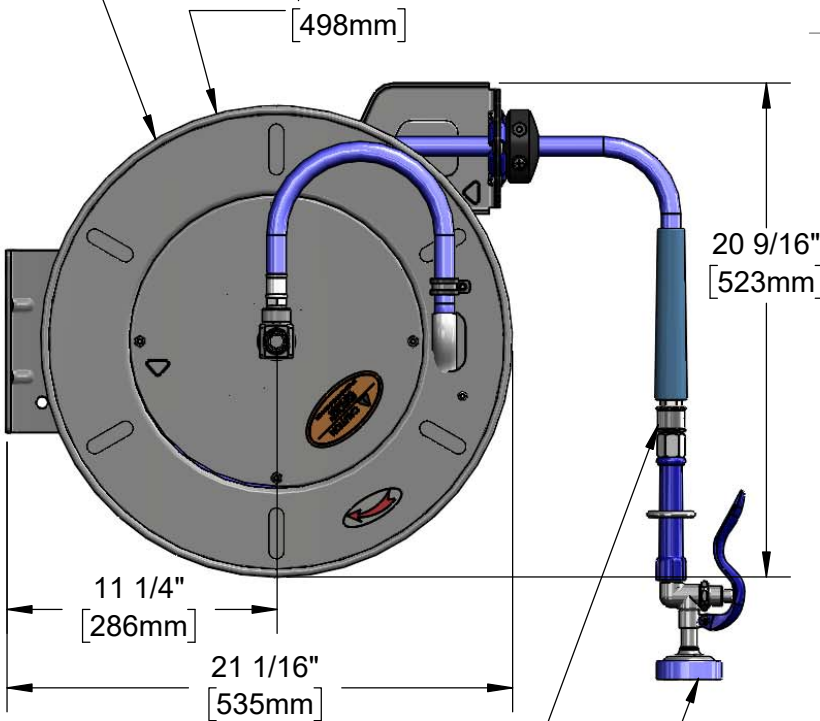


1/2" NPT Female Inlet
(Left Side of Reel)



Open Stainless Steel Hose Reel
35' of 1/2" Food Grade Hose

Ø 19 5/8"
[498mm]



11 1/4"
[286mm]

21 1/16"
[535mm]

20 9/16"
[523mm]

9 9/16"
[242mm]

Hose Reel Base

6 3/16"
[158mm]

Ø 1/2"
[13mm]

6"

[152mm]

7 9/16"
[193mm]

13/16"
[21mm]

1/2"
[13mm]

3 1/8"
[79mm]

019653-40
1/2" NPT Live Swivel

EB-0107
High Flow
Spray Valve

Product Specifications:

1/2" x 35' Open Stainless Steel Food Grade Reel, High Flow Spray Valve w/
Swivel & 1/2" Female Hose Inlet

Product Compliance:

NSF 51
NSF 61 Exempt (Non-Potable)
EPA Act 2005 Non-Compliant (PRSV)
FDA 21 CFR 177.2600



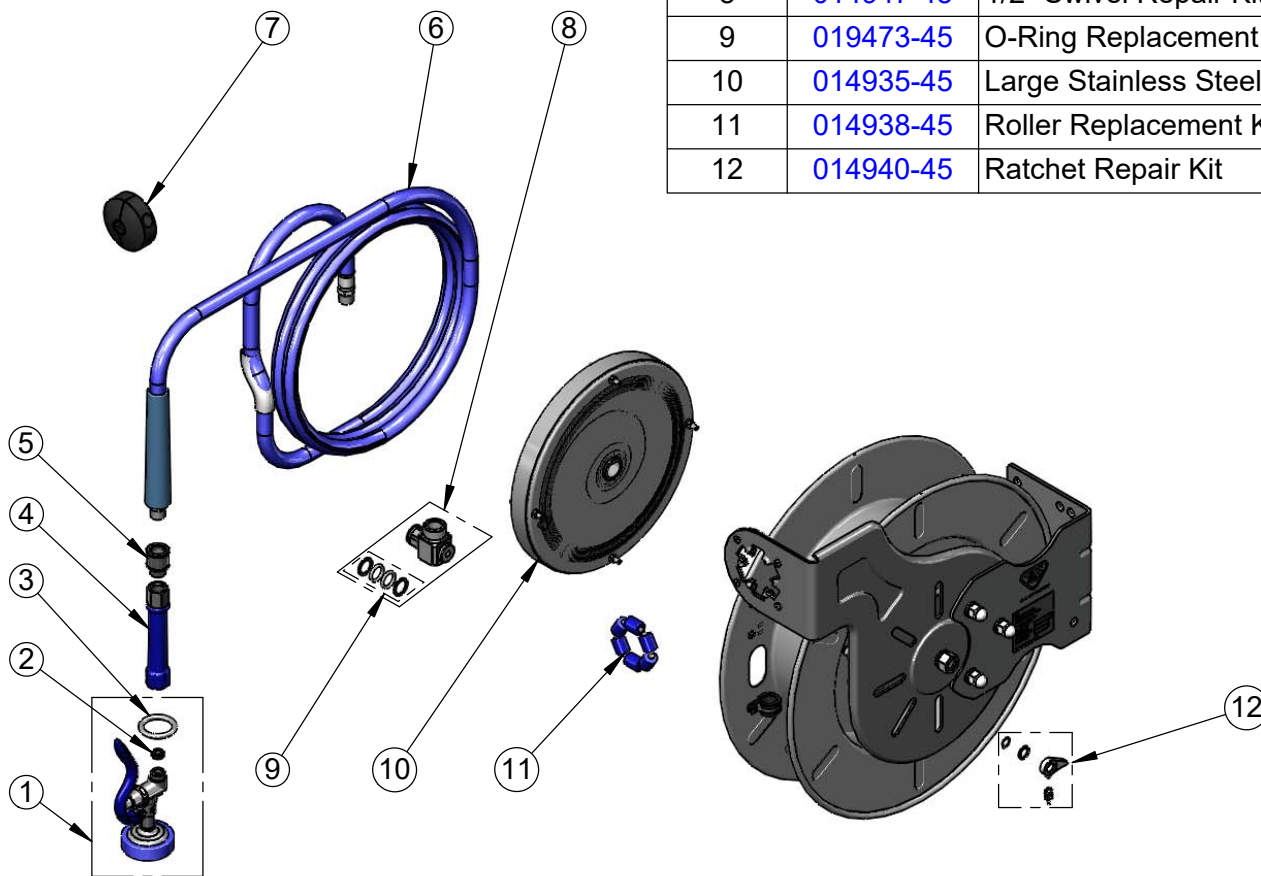
T&S BRASS AND BRONZE WORKS, INC.
 2 Saddleback Cove / P.O. Box 1088
 Travelers Rest, SC 29690

Model No.
B-7133-FG-01

Item No.

Travelers Rest, SC: 800-476-4103 • Simi Valley, CA: 800-423-0150 • Fax: 864-834-3518 • www.tsbrass.com

| ITEM NO. | SALES NO. | DESCRIPTION |
|----------|-----------|--|
| 1 | EB-0107 | High Flow Spray Valve |
| 2 | 010476-45 | #27 Washer |
| 3 | 000907-45 | Spray Valve Hold Down Ring |
| 4 | 015082-40 | Blue Grip Handle |
| 5 | 019653-40 | 1/2" NPT Live Swivel |
| 6 | 019419-45 | 1/2" x 35' Food Grade Hose Replacement Kit |
| 7 | 019499-45 | 1/2" Hose Stop Repair Kit |
| 8 | 014947-45 | 1/2" Swivel Repair Kit |
| 9 | 019473-45 | O-Ring Replacement Kit |
| 10 | 014935-45 | Large Stainless Steel Spring |
| 11 | 014938-45 | Roller Replacement Kit |
| 12 | 014940-45 | Ratchet Repair Kit |



Product Specifications:
 1/2" x 35' Open Stainless Steel Food Grade Reel, High Flow Spray Valve w/
 Swivel & 1/2" Female Hose Inlet

Product Compliance:
 NSF 51
 NSF 61 Exempt (Non-Potable)
 EPA Act 2005 Non-Compliant (PRSV)
 FDA 21 CFR 177.2600