



T&S BRASS AND BRONZE WORKS, INC.
 2 Saddleback Cove / P.O. Box 1088
 Travelers Rest, SC 29690

Model No.

B-7133-01

Item No.

Travelers Rest, SC: 800-476-4103 • Simi Valley, CA: 800-423-0150 • Fax: 864-834-3518 • www.tsbrass.com

This Space for Architect/Engineer Approval

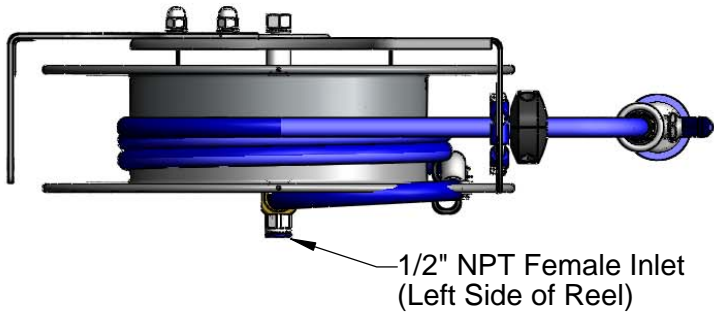
Job Name _____ Date _____

Model Specified _____ Quantity _____

Customer/Wholesaler _____

Contractor _____

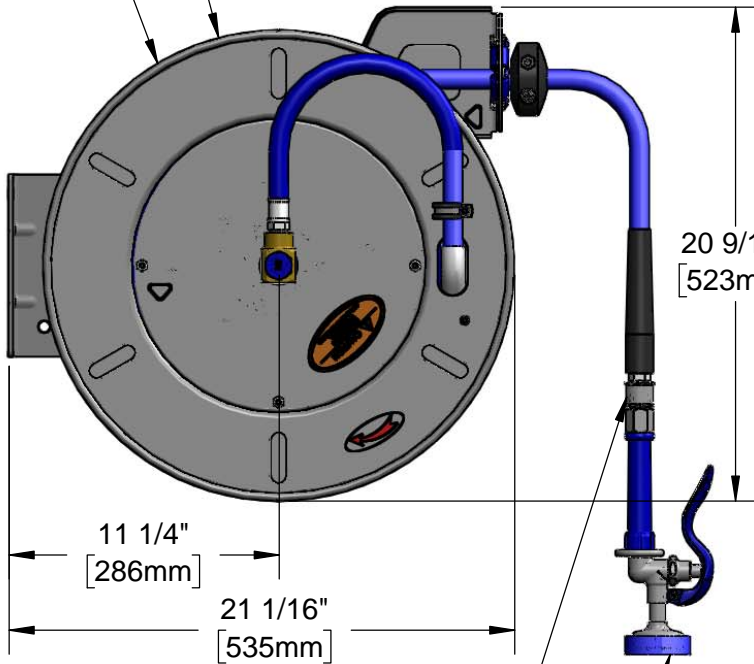
Architect/Engineer _____



1/2" NPT Female Inlet
(Left Side of Reel)

Open Stainless Steel Hose Reel
35' of 1/2" Hose

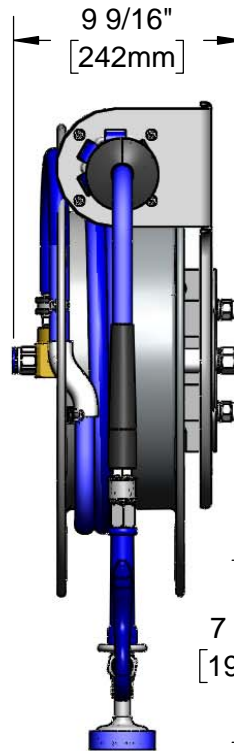
Ø 19 5/8"
[498mm]



11 1/4"
[286mm]

21 1/16"
[535mm]

019653-40
1/2" NPT Live Swivel



9 9/16"
[242mm]

20 9/16"
[523mm]

EB-0107
High Flow
Spray Valve



6 3/16"
[158mm]

Ø 1/2"
[13mm]

6"
[152mm]

7 9/16"
[193mm]

13/16"
[21mm]

1/2"
[13mm]

3 1/8"
[79mm]

Product Specifications:

1/2" x 35' Open Stainless Steel Reel, High Flow Spray Valve w/ Swivel and 1/2" NPT Female Inlet

Product Compliance:

NSF 61 Exempt (Non-Potable)
EPA Act 2005 Non-Compliant (PRSV)



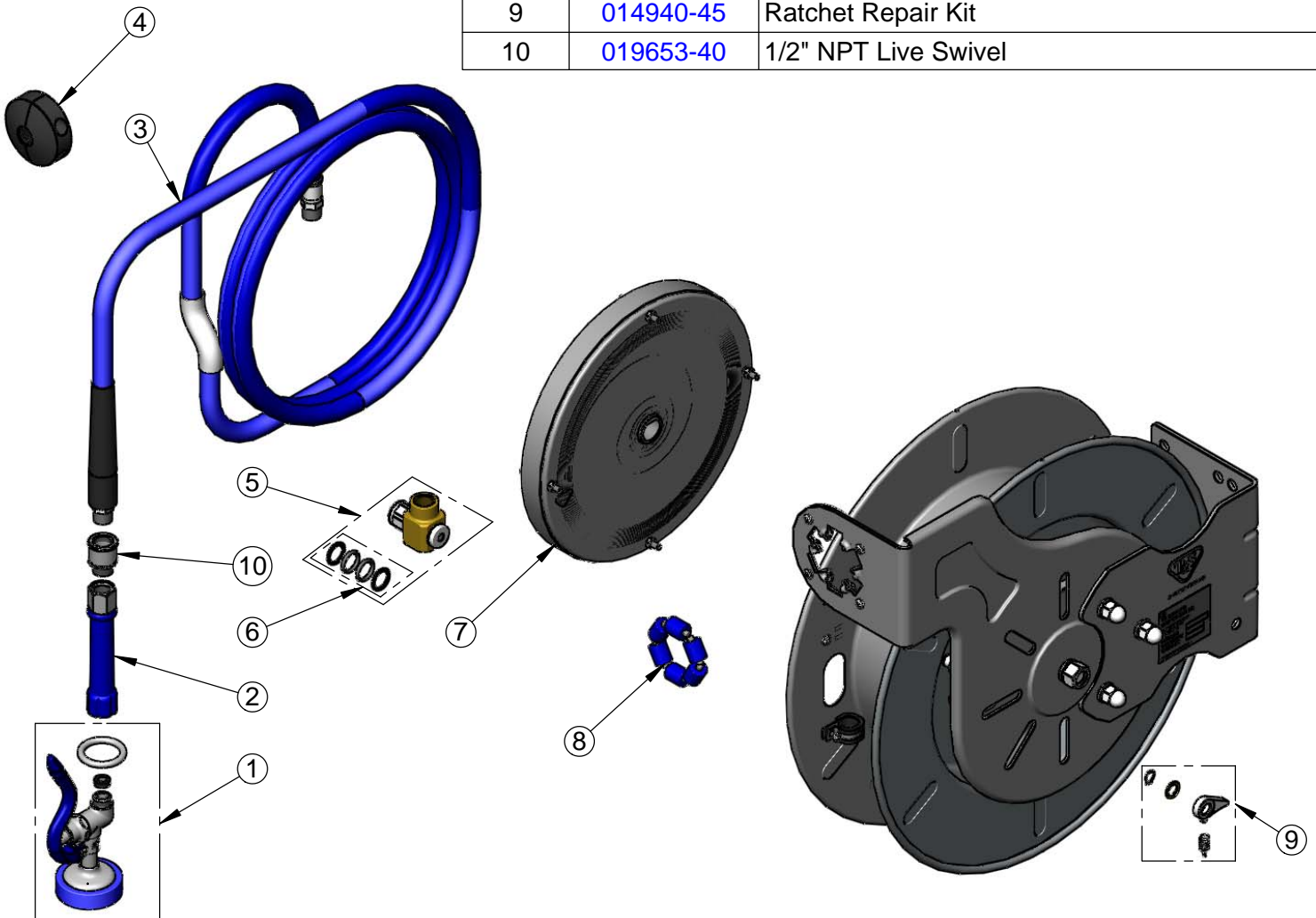
T&S BRASS AND BRONZE WORKS, INC.
 2 Saddleback Cove / P.O. Box 1088
 Travelers Rest, SC 29690

Model No.
B-7133-01

Item No.

Travelers Rest, SC: 800-476-4103 • Simi Valley, CA: 800-423-0150 • Fax: 864-834-3518 • www.tsbrass.com

ITEM NO.	SALES NO.	DESCRIPTION
1	EB-0107	High Flow Spray Valve
2	015082-40	1/2" NPT Blue Grip Handle w/ Washer
3	015089-45	1/2" x 35' Hose Replacement Kit
4	019499-45	1/2" Hose Stop Repair Kit
5	014947-45	1/2" Swivel Repair Kit
6	019473-45	O-Ring Replacement Kit
7	014935-45	Large Stainless Steel Spring
8	014938-45	Roller Replacement Kit
9	014940-45	Ratchet Repair Kit
10	019653-40	1/2" NPT Live Swivel



Product Specifications:
 1/2" x 35' Open Stainless Steel Reel, High Flow Spray Valve w/ Swivel
 and 1/2" NPT Female Inlet

Product Compliance:
 NSF 61 Exempt (Non-Potable)
 EPA Act 2005 Non-Compliant (PRSV)