



# T&S BRASS AND BRONZE WORKS, INC.

2 Saddleback Cove / P.O. Box 1088  
Travelers Rest, SC 29690

Model No.

**B-7132-U10XS2C**

Item No.

Travelers Rest, SC: 800-476-4103 • Simi Valley, CA: 800-423-0150 • Fax: 864-834-3518 • www.tsbrass.com

This Space for Architect/Engineer Approval

Job Name \_\_\_\_\_ Date \_\_\_\_\_

Model Specified \_\_\_\_\_ Quantity \_\_\_\_\_

Customer/Wholesaler \_\_\_\_\_

Contractor \_\_\_\_\_

Architect/Engineer \_\_\_\_\_

**B-0963**

Continuous Pressure  
Vacuum Breaker w/  
Integral Check Valve

3/8" NPT x 36"  
Flexible Water  
Hose Connector

(2) **B-CVH1-2**  
1/2" NPT  
Check Valves  
(Included)

**B-7132-10**  
Open Stainless Steel  
Hose Reel  
w/ 35' of 3/8" Hose

**019652-40**  
3/8" NPT  
Live Swivel

**EB-2322**  
Extended Spray Wand w/  
Blue Spray Valve &  
Adjustable Spray  
Pattern Outlet

3/8" NPT x 40" Riser

Stainless Steel  
Quick Disconnect

Control Valve

EasyInstall  
3/8" NPT x 16"  
Riser

(2) **B-0109-07**  
Wall Brackets

12 5/8"  
[321mm]

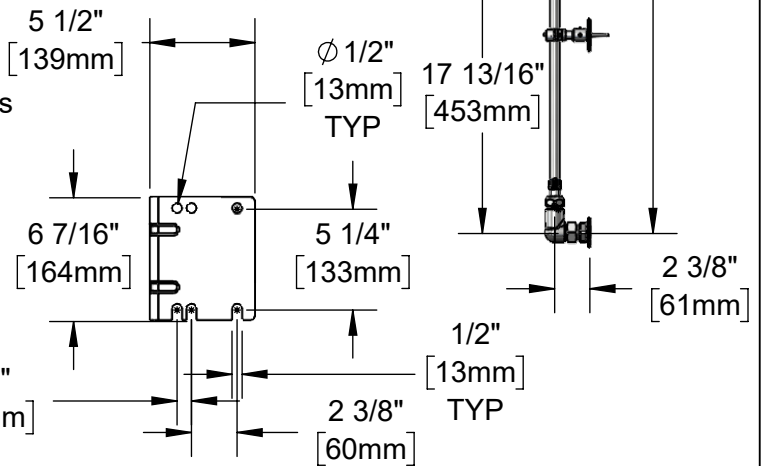
8" Wall Mount  
Mixing Faucet,  
Quarter-Turn  
Cerama Cartridges  
w/ Check Valves  
& Lever Handles  
w/ Color Coded  
Indexes

3 11/16"  
[93mm]

Adjustable From  
7 3/4" to 8 1/4"  
[197mm to 210mm]

Ø 2" [51mm]  
Flanges w/  
1/2" NPT  
Female Inlets

64 13/16"  
[1646mm]



**Product Specifications:**

Open Stainless Steel Hose Reel w/ 35' of 3/8" Hose, Extended Spray Wand & Blue Spray Valve w/ Swivel, Vacuum Breaker, 3/8" NPT Flexible Water Hose, 8" Wall Mount Mixing Faucet, 1/2" NPT Check Valves, Wall Brackets & Control Valve

**Product Compliance:**

NSF 61 Exempt (Non-Potable)  
2019 DOE PRSV Non-Compliant  
ASSE 1056 (VB)



# T&S BRASS AND BRONZE WORKS, INC.

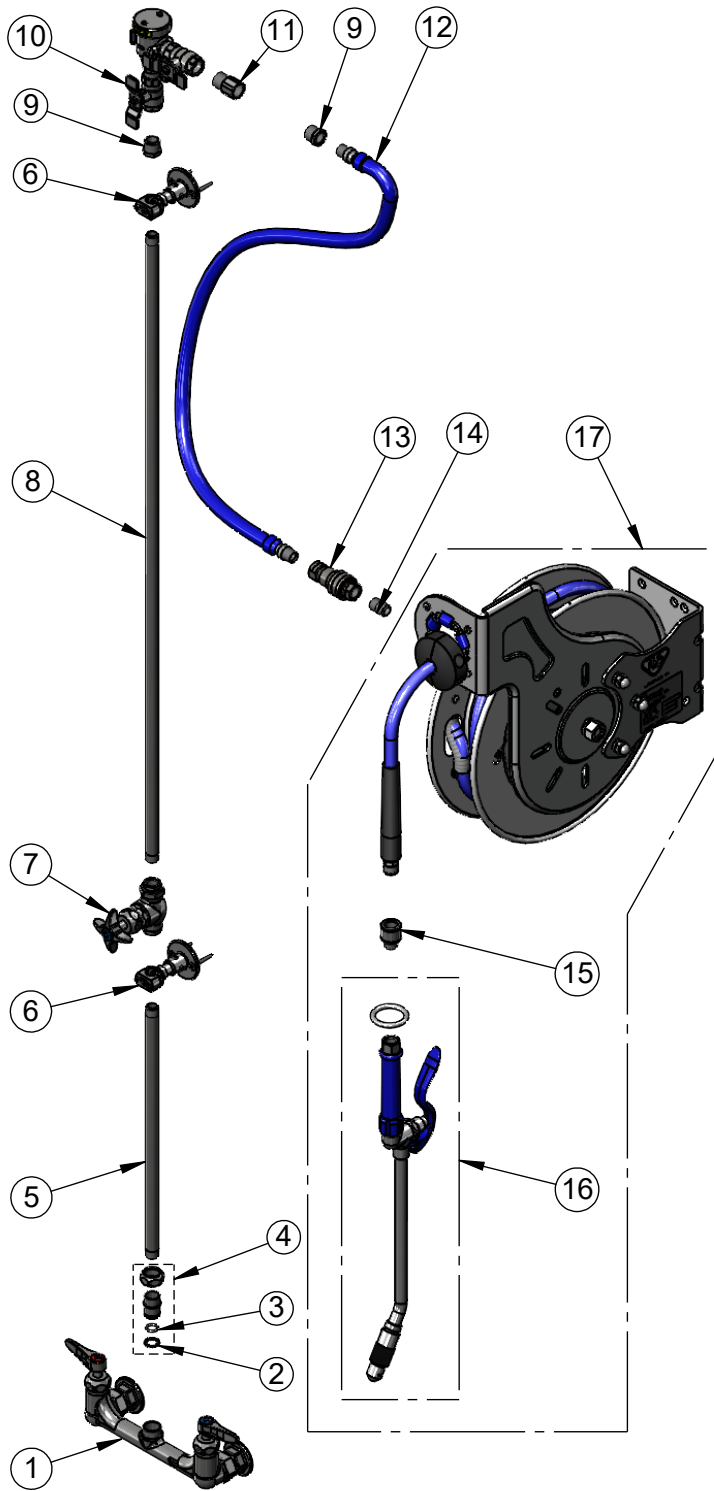
2 Saddleback Cove / P.O. Box 1088  
Travelers Rest, SC 29690

Model No.

**B-7132-U10XS2C**

Item No.

Travelers Rest, SC: 800-476-4103 • Simi Valley, CA: 800-423-0150 • Fax: 864-834-3518 • www.tsbrass.com



ITEM NO.	SALES NO.	DESCRIPTION
1	B-0230-CR-LN	8" Wall Mount Mixing Faucet
2	014200-45	EasyInstall 16" Riser less Finger Hook
3	001065-45	O-Ring
4	EZ-K	EasyInstall Kit
5	000368-40	Nipple, 3/8" x 16"
6	B-0109-07	Wall Bracket
7	0RK3	Control Valve
8	002558-40	3/8" NPT x 40" Riser
9	001359-40	Hex Bushing, 1/2" NPT Male x 3/8" NPT Female
10	B-0963	Continuous Pressure VB w/ Integral Check Valve
11	015073-40	Check Valve w/ 1/2" NPT Adapter
12	HW-2B-36	3/8" NPT x 36" Flexible Water Hose
13	AW-5B	3/8" NPT Quick Disconnect
14	002535-25	3/8" Close Nipple
15	019652-40	3/8" NPT Live Swivel
16	EB-2322	Extended Wand Spray Valve
17	B-7132-10	Open Stainless Steel Reel w/ 35' x 3/8" Extended Spray Wand & Blue Spray Valve & Swivel



(2) B-CVH1-2  
1/2" NPT Check Valve

**Product Specifications:**

Open Stainless Steel Hose Reel w/ 35' of 3/8" Hose, Extended Spray Wand & Blue Spray Valve w/ Swivel, Vacuum Breaker, 3/8" NPT Flexible Water Hose, 8" Wall Mount Mixing Faucet, 1/2" NPT Check Valves, Wall Brackets & Control Valve

**Product Compliance:**

NSF 61 Exempt (Non-Potable)  
2019 DOE PRSV Non-Compliant  
ASSE 1056 (VB)