



# T&S BRASS AND BRONZE WORKS, INC.

2 Saddleback Cove / P.O. Box 1088  
Travelers Rest, SC 29690

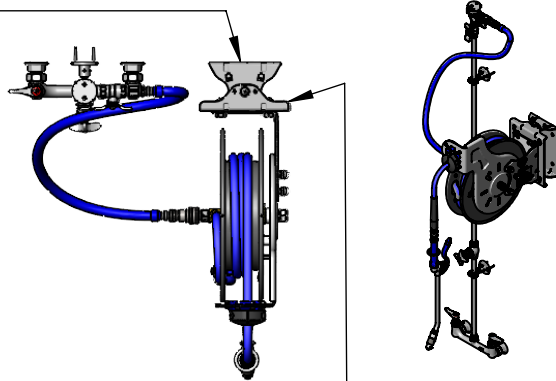
Model No.

**B-7132-U10WS1E**

Item No.

Travelers Rest, SC: 800-476-4103 • Simi Valley, CA: 800-423-0150 • Fax: 864-834-3518 • www.tsbrass.com

EasyInstall  
Stainless Steel  
Wall Mount Swing  
Bracket w/ 100°  
of Rotation



This Space for Architect/Engineer Approval

Job Name \_\_\_\_\_ Date \_\_\_\_\_

Model Specified \_\_\_\_\_ Quantity \_\_\_\_\_

Customer/Wholesaler \_\_\_\_\_

Contractor \_\_\_\_\_

Architect/Engineer \_\_\_\_\_

Mounting Hardware Included  
for Hose Reel to Bracket

**B-0963**  
Continuous Pressure  
Vacuum Breaker  
w/ Integral  
Check Valve

3/8" NPT x 36"  
Flexible Water  
Connector

3/8" NPT x  
40" Riser

Stainless Steel  
Quick Disconnect

Control Valve

(2) **B-0109-07**  
Wall Brackets

EasyInstall  
3/8" NPT x  
16" Riser

**B-7132-10**  
Open Stainless Steel  
Hose Reel w/ 35' of 3/8"  
Hose

**019652-40**  
3/8" NPT  
Live Swivel

**EB-2322**  
Extended Spray Wand w/  
Blue Spray Valve &  
Adjustable Spray  
Pattern Outlet

8" Wall Mount Mixing Faucet,  
Quarter-Turn Eterna Cartridges  
w/ Spring Checks & Lever  
Handles w/ Color Coded Indexes

12 5/8"  
[321mm]

3 11/16"  
[94mm]

Ø 2" [51mm]  
Flanges w/  
1/2" NPT  
Female Inlets

8"  
[203mm]

Adjustable From  
7 3/4" to 8 1/4"  
[197mm to 210mm]

5 9/16"  
[142mm]

Ø 1/2"  
[13mm]  
TYP

EasyInstall  
Wall Mount  
Swing Bracket  
Mounting Holes

3 9/16"  
[90mm]

64 7/8"  
[1647mm]

17 7/8"  
[454mm]

2 9/16"  
[64mm]

**Product Specifications:**

Open Stainless Steel Hose Reel w/ 35' of 3/8" Hose, Extended Spray Wand w/ Blue Spray Valve w/ Swivel, Vacuum Breaker, 3/8" NPT Flexible Water Connector, 8" Wall Mount Mixing Faucet w/ Quarter-Turn Eterna Cartridges w/ Spring Checks & Lever Handles, Control Valve, 100 Degree EasyInstall Stainless Steel Swing Bracket w/ Mounting Hardware for Hose Reel to Bracket

**Product Compliance:**

NSF 61 Exempt (Non-Potable)  
2019 DOE PRSV Non-Compliant  
ASSE 1056 (VB)



# T&S BRASS AND BRONZE WORKS, INC.

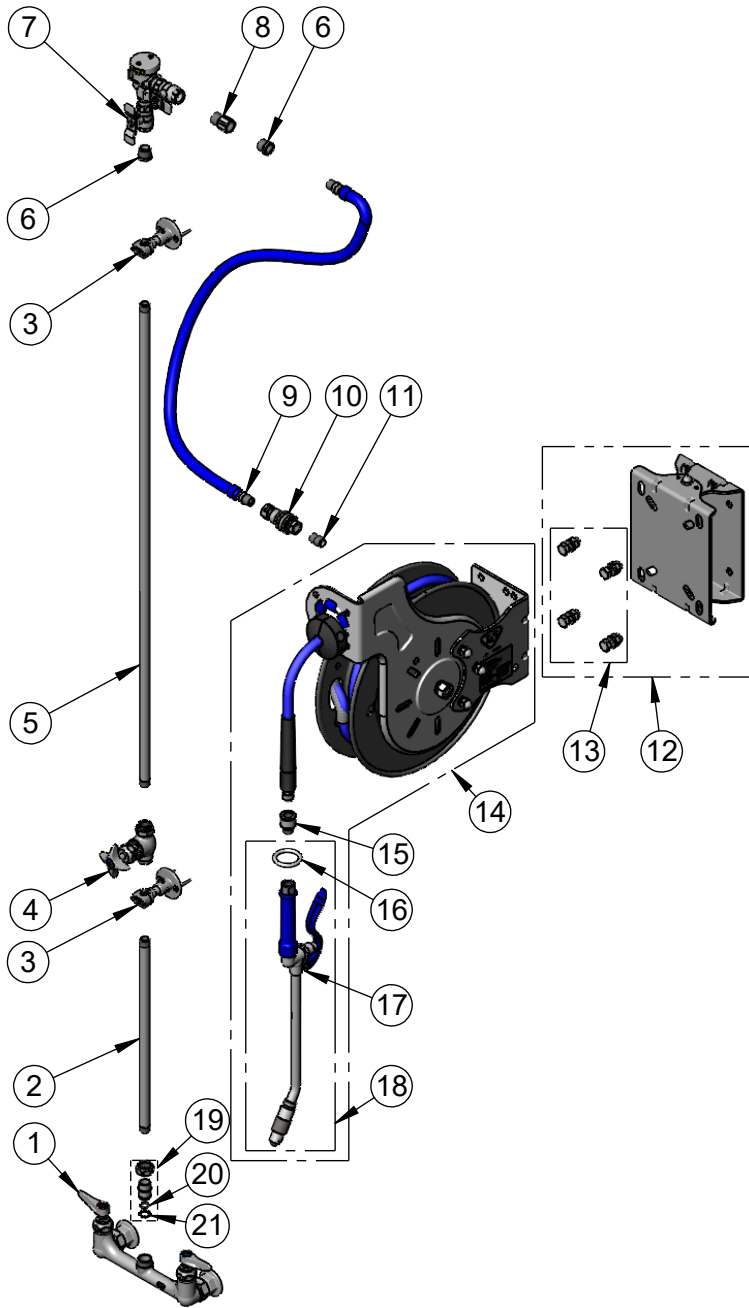
2 Saddleback Cove / P.O. Box 1088  
Travelers Rest, SC 29690

Model No.

**B-7132-U10WS1E**

Item No.

Travelers Rest, SC: 800-476-4103 • Simi Valley, CA: 800-423-0150 • Fax: 864-834-3518 • www.tsbrass.com



ITEM NO.	SALES NO.	DESCRIPTION
1	B-0230-LN	B-0230 Faucet Body
2	000368-40	3/8" NPT x 16" Riser
3	B-0109-07	6" Wall Bracket
4	0RK3	Control Valve
5	002558-40	3/8" NPT x 40" Riser
6	001359-40	Hex Bushing, 1/2" NPT Male x 3/8" NPT Female
7	B-0963	Vacuum Breaker 1/2" NPT Female
8	015073-40	1/2" NPT Check Valve Adapter
9	HW-2B-36	3/8" NPT x 36" Flexible Water Hose
10	AW-5B	3/8" NPT Quick Disconnect
11	002535-25	3/8" Close Nipple
12	G019430-45	EasyInstall Hose Reel Stainless Steel Swing Bracket
13	019191-45K	Hose Reel Mounting Kit
14	B-7132-10	Open Stainless Steel Hose Reel w/ 35' of 3/8" Hose w/ Extended Spray Valve
15	019652-40	3/8" NPT Live Swivel
16	000907-45	Spray Valve Hold Down Ring
17	010476-45	#27 Washer
18	EB-2322	Extended Wand Spray Valve
19	EZ-K	EasyInstall Kit
20	001065-45	O-Ring
21	014200-45	Star Washer, Anti-Rotation

**Product Specifications:**

Open Stainless Steel Hose Reel w/ 35' of 3/8" Hose, Extended Spray Wand w/ Blue Spray Valve w/ Swivel, Vacuum Breaker, 3/8" NPT Flexible Water Connector, 8" Wall Mount Mixing Faucet w/ Quarter-Turn Eterna Cartridges w/ Spring Checks & Lever Handles, Control Valve, 100 Degree EasyInstall Stainless Steel Swing Bracket w/ Mounting Hardware for Hose Reel to Bracket

**Product Compliance:**

NSF 61 Exempt (Non-Potable)  
2019 DOE PRSV Non-Compliant  
ASSE 1056 (VB)