



**T&S BRASS AND BRONZE WORKS, INC.**  
 2 Saddleback Cove / P.O. Box 1088  
 Travelers Rest, SC 29690

Model No.

**B-7132-U02TS3**

Item No.

Travelers Rest, SC: 800-476-4103 • Simi Valley, CA: 800-423-0150 • Fax: 864-834-3518 • www.tsbrass.com

This Space for Architect/Engineer Approval

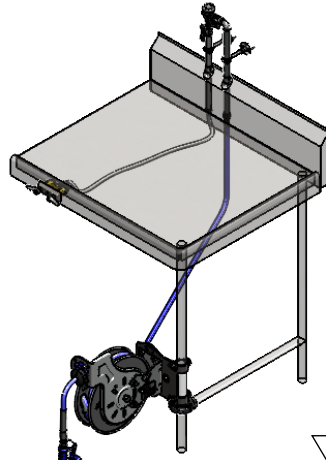
Job Name \_\_\_\_\_ Date \_\_\_\_\_

Model Specified \_\_\_\_\_ Quantity \_\_\_\_\_

Customer/Wholesaler \_\_\_\_\_

Contractor \_\_\_\_\_

Architect/Engineer \_\_\_\_\_



Ø 1 1/4" Holes  
on 4 1/4" C/C

**B-0110**  
Ø 1/2" Wall Support  
(Sold Separately)

**001995-25**  
1/2" to 3/8" NPT  
Reducing Coupler

3"  
[76mm]

Open SS  
Hose Reel  
w/ 35' of 3/8"  
Hose

**B-0455-04-963VB**

3" Concealed Mixing Faucet w/  
Quarter-Turn Eternas w/  
Spring Checks, Lever Handles,  
Color Coded Indexes & 3/8"  
NPT Female Inlets

3/8" NPT  
Close  
Nipple

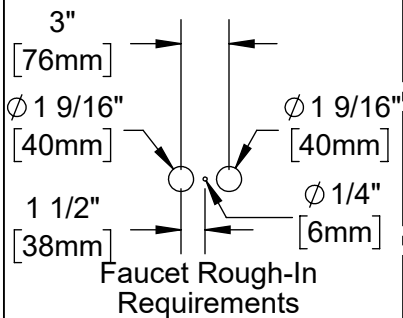
**016325-45XL**  
Stainless Steel  
Flexible Hose

**HW-4B-72**  
3/8" NPT x 72"  
Flexible Water  
Connector w/  
Quick Disconnect

**MV-2516-24**  
Rear Trigger  
Spray Gun

**019652-40**  
3/8" NPT  
Live Swivel

Table Shown for  
Illustrative Purpose Only



Product Specifications:

Open Stainless Steel Hose Reel w/ 35' of 3/8" Hose, 5/16" Rear Trigger Spray Gun w/ Swivel, Vacuum Breaker, 3/8" NPT Flexible Water Connector with Quick Disconnect, 3" Concealed Mixing Faucet, 1200mm Stainless Steel Connector Hose & Table Leg Swing Bracket

Product Compliance:

NSF 61 Exempt (Non-Potable)  
 2019 DOE PRSV Non-Compliant  
 ASSE 1056 (VB)



# T&S BRASS AND BRONZE WORKS, INC.

2 Saddleback Cove / P.O. Box 1088  
Travelers Rest, SC 29690

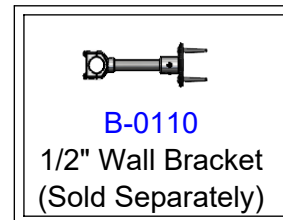
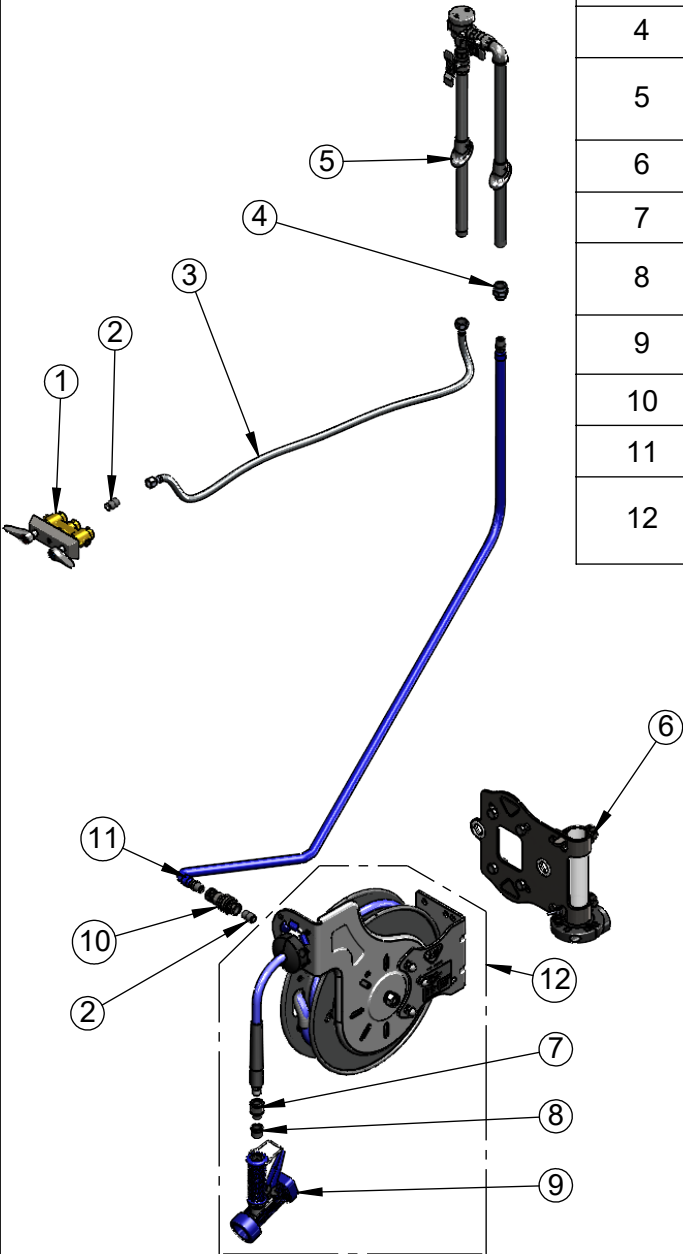
Model No.

**B-7132-U02TS3**

Item No.

Travelers Rest, SC: 800-476-4103 • Simi Valley, CA: 800-423-0150 • Fax: 864-834-3518 • www.tsbrass.com

| ITEM NO. | SALES NO.       | DESCRIPTION  |
|----------|-----------------|--|
| 1        | B-0513          | 3" Concealed Mixing Faucet   |
| 2        | 002535-25       | 3/8" NPT Close Nipple  |
| 3        | 016325-45XL     | 1200mm Stainless Steel Flexible Hose w/ 1/2" NPSM & 3/8" NPSM Female Connections |
| 4        | 001995-25       | 1/2" NPT x 3/8" NPT Coupler  |
| 5        | B-0455-04-963VB | 1/2" NPT Vacuum Breaker Unit for Angled Backsplash                               |
| 6        | G018477-45      | Table Leg Swing Bracket  |
| 7        | 019652-40       | 3/8" NPT Live Swivel   |
| 8        | 001359-40       | 1/2" NPT Male x 3/8" NPT Female Hex Bushing                                      |
| 9        | MV-2516-24      | Rear Trigger Stainless Steel Spray Gun   |
| 10       | AW-5B           | 3/8" NPT Quick Disconnect  |
| 11       | HW-2B-72        | 3/8" NPT x 72" Flexible Water Hose   |
| 12       | B-7132-02       | Open Stainless Steel Reel w/ 35' of 3/8" Hose w/ Swivel & SS Water Gun           |



**Product Specifications:**

Open Stainless Steel Hose Reel w/ 35' of 3/8" Hose, 5/16" Rear Trigger Spray Gun w/ Swivel, Vacuum Breaker, 3/8" NPT Flexible Water Connector with Quick Disconnect, 3" Concealed Mixing Faucet, 1200mm Stainless Steel Connector Hose & Table Leg Swing Bracket

**Product Compliance:**

NSF 61 Exempt (Non-Potable)  
2019 DOE PRSV Non-Compliant  
ASSE 1056 (VB)